

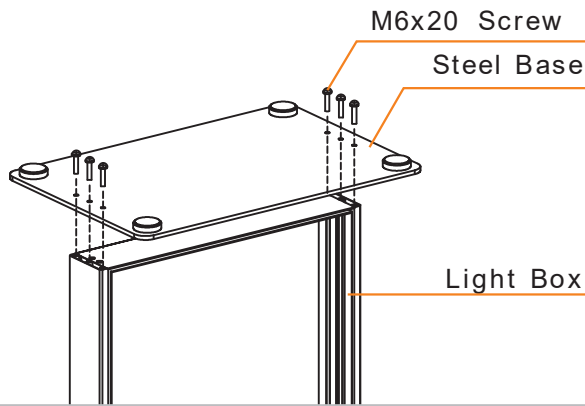
# ASSEMBLY INSTRUCTIONS

# SEGLCHCC - SLEEK CHARGING COUNTER

CAUTION: DO NOT plug the unit into the power outlet before the assembly is finished.

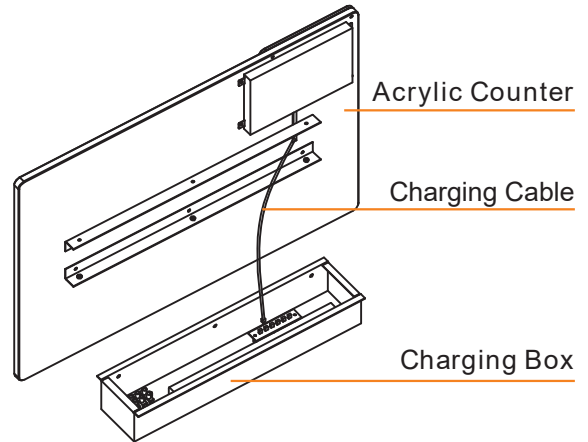
## STEP 1

Carefully remove all the parts from the package and place them on a soft non-abrasive cloth. Stand the frame upside down on the ground. Align holes in the base with holes in the frame as shown below. Secure the steel base by tightening (6) M6X20 screws through the base.



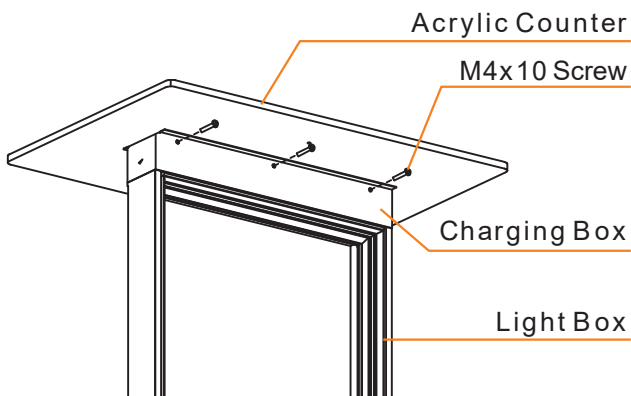
## STEP 2

Carefully flip the charging station to its standing position with base on the ground. Connect the cable at the bottom of the countertop with any unoccupied port in the charging box on top of the frame.



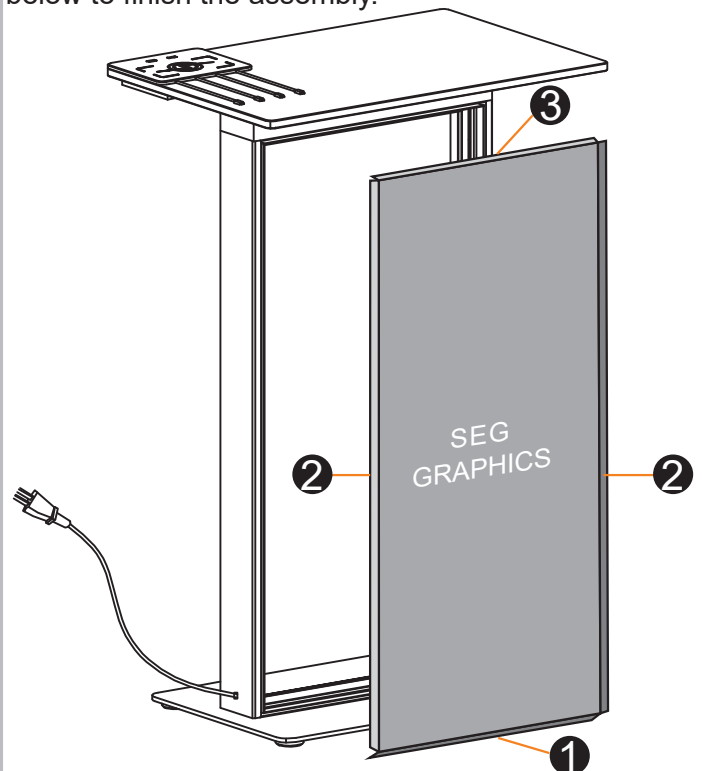
## STEP 3

Assemble the countertop with the frame body. Tighten (3) M4X10 screws from each side as shown. Tips: Be sure the cable is safely hidden inside the top of the frame body.



## STEP 4

Attach SEG graphics to the frame. Assemble the SEG by inserting the silicon edges into the groove on the side of the frame. Follow the number in the image below to finish the assembly.



Scan QR code to visit the product page:



If you have any questions regarding our products, please visit us at [www.displays2go.com](http://www.displays2go.com) or contact D2G customer service at 844-221-3393.