

Trinity Banner Stand

Product Parts

- 1 - Top Foot
- 2 - Bottom Foot
- 3 - Base Pin
- 4 - Shock Corded Frame
- 5 - Carry Case
- 6 - Graphic



Display Set-Up

Step 1

Push Base Pin (3) through hole of longer Top Foot (1) into the shorter Bottom Foot (2) to where it touches attached nut. Hand tighten Base Pin (3) by turning clockwise. Rotate legs to create an X for best stability.



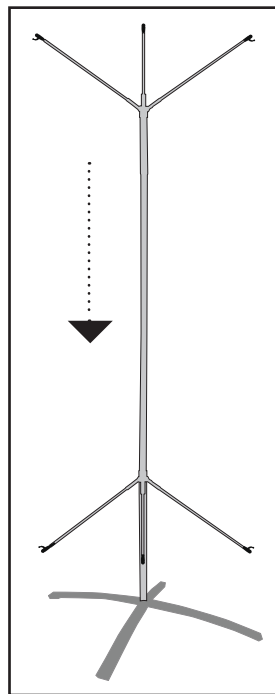
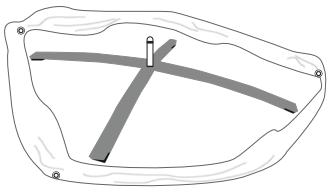
Step 2

Assemble Shock Corded Frame (4). Push down on lower arm assembly and lock in place over pushpin.



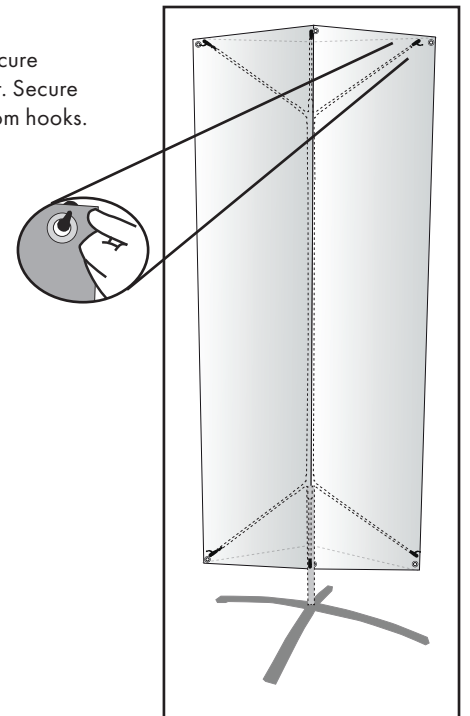
Step 3

On a clean surface place Graphic (6) around Foot (1&2). Place Shock Corded Frame (4) over Base Pin (3).



Step 4

Pull Graphic (6) up and secure grommets to top hooks first. Secure bottom of Graphic to bottom hooks.



Storage & Care

Place all product parts into Carry Case and store in a cool dry location. Recommended for indoor use only. Machine wash on gentle cycle using mild detergent. Tumble Dry No Heat. Do NOT dry clean, Do NOT Iron.