

# ASSEMBLY INSTRUCTIONS

## ACKND - COUNTERTOP ACRYLIC DISPLAY

DISPLAYS2GO

### PARTS LIST

- A. Backer Piece X1
- B. Side Piece X2
- C. Shelf Piece X3

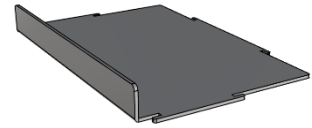
(A)



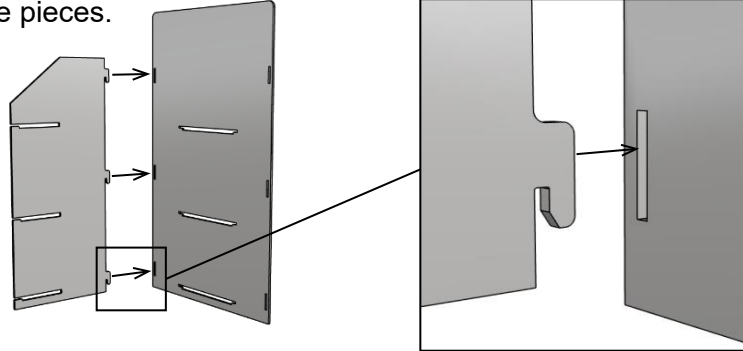
(B)



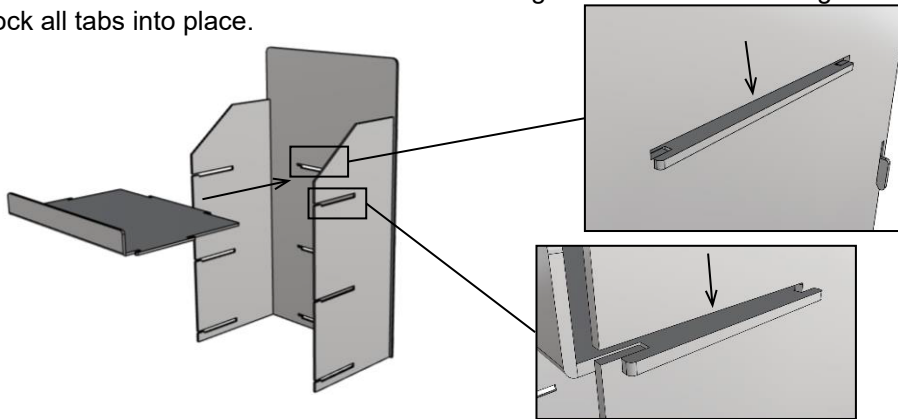
(C)



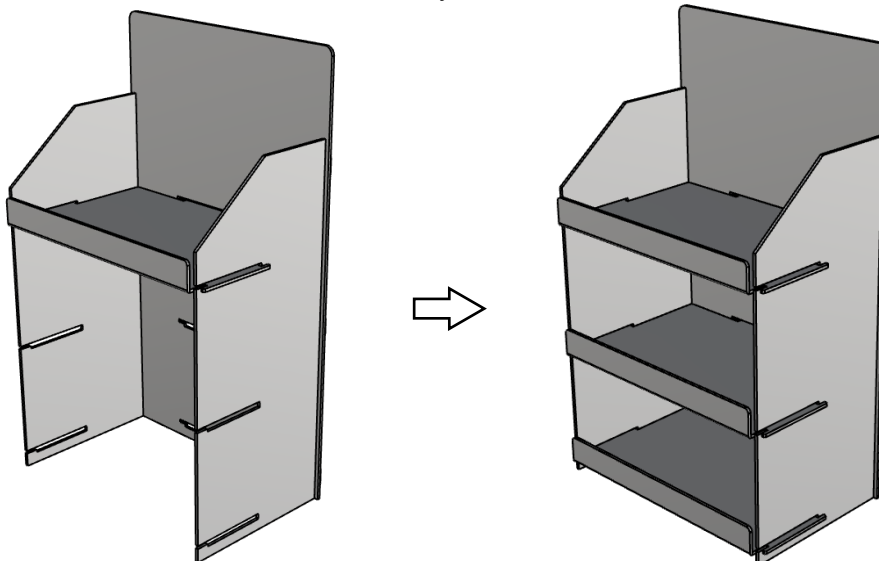
Step 1. Insert the hook of one of the Side Pieces into the slots on the back piece and slide down, locking into place. Do this for both side pieces.



Step 2. Slide a Shelf Piece into slots on each Side Piece making sure that the back tab goes into the back slot. Press down on Shelf to lock all tabs into place.



Step 3. Assemble the other 2 shelves the same way as in Step 2. The assembly is finished.



Scan QR code to visit the product page:



If you have any questions regarding our products, please visit us at [www.displays2go.com](http://www.displays2go.com) or contact D2G customer service 844-221-3388.