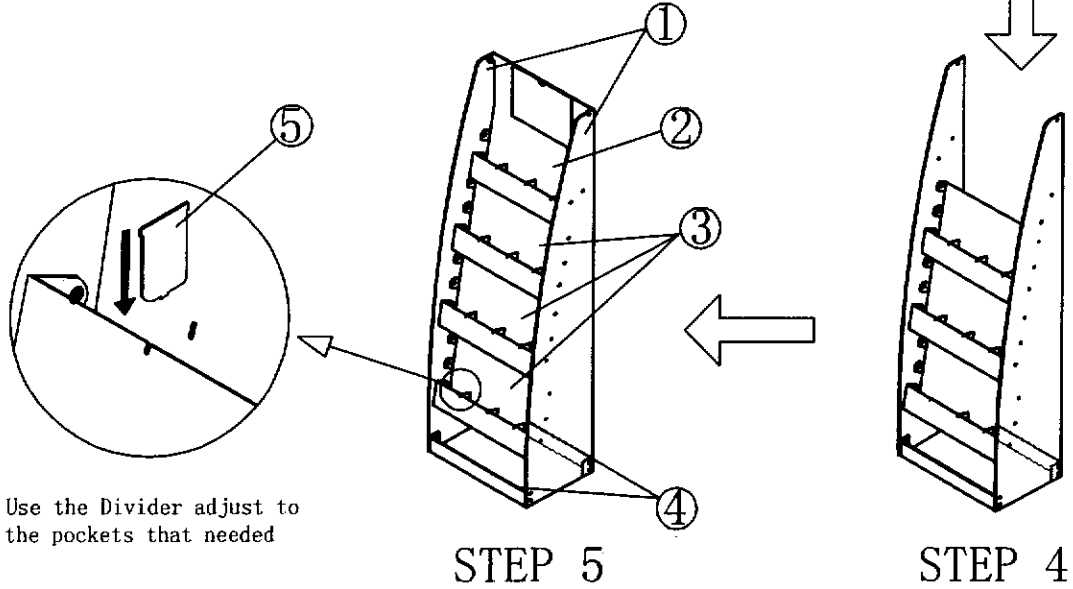
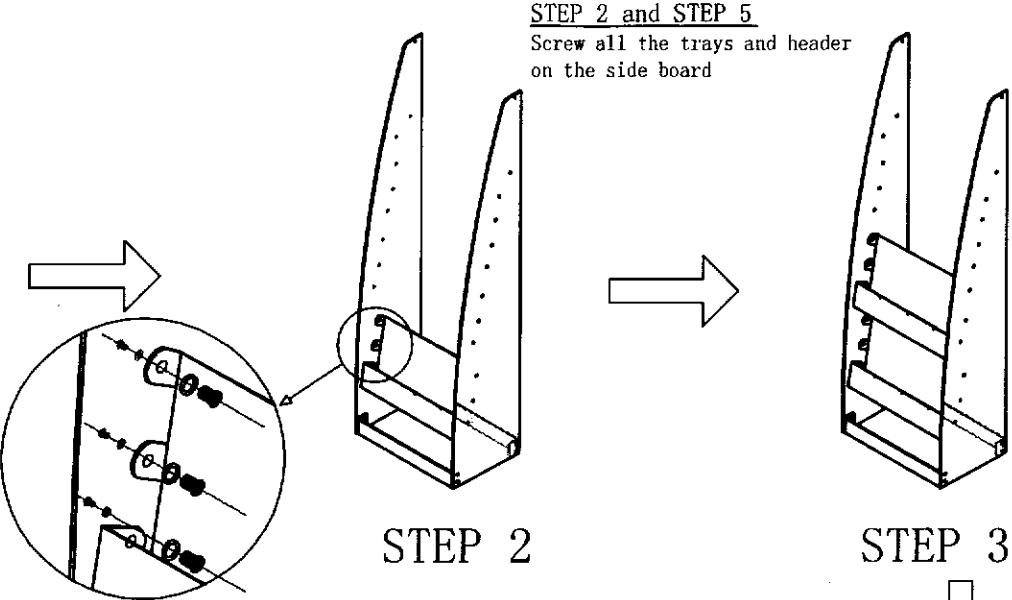
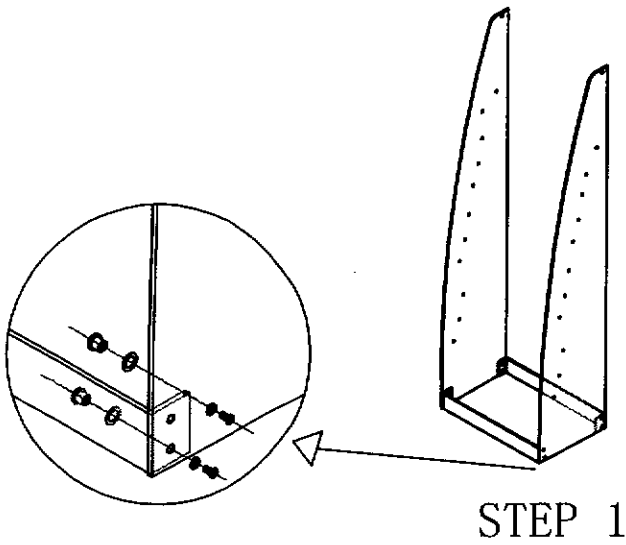


# ADJLSTDCL Assembly Intruction



NUMBER	ASSEMBLY	QUANTITY
1	Side Board	2 PCS
2	Header	1 PC
3	Tray	3 PCS
4	Strengthened Bar	2 PCS
5	Divider	12 PCS
6	Screws Set	32 PCS