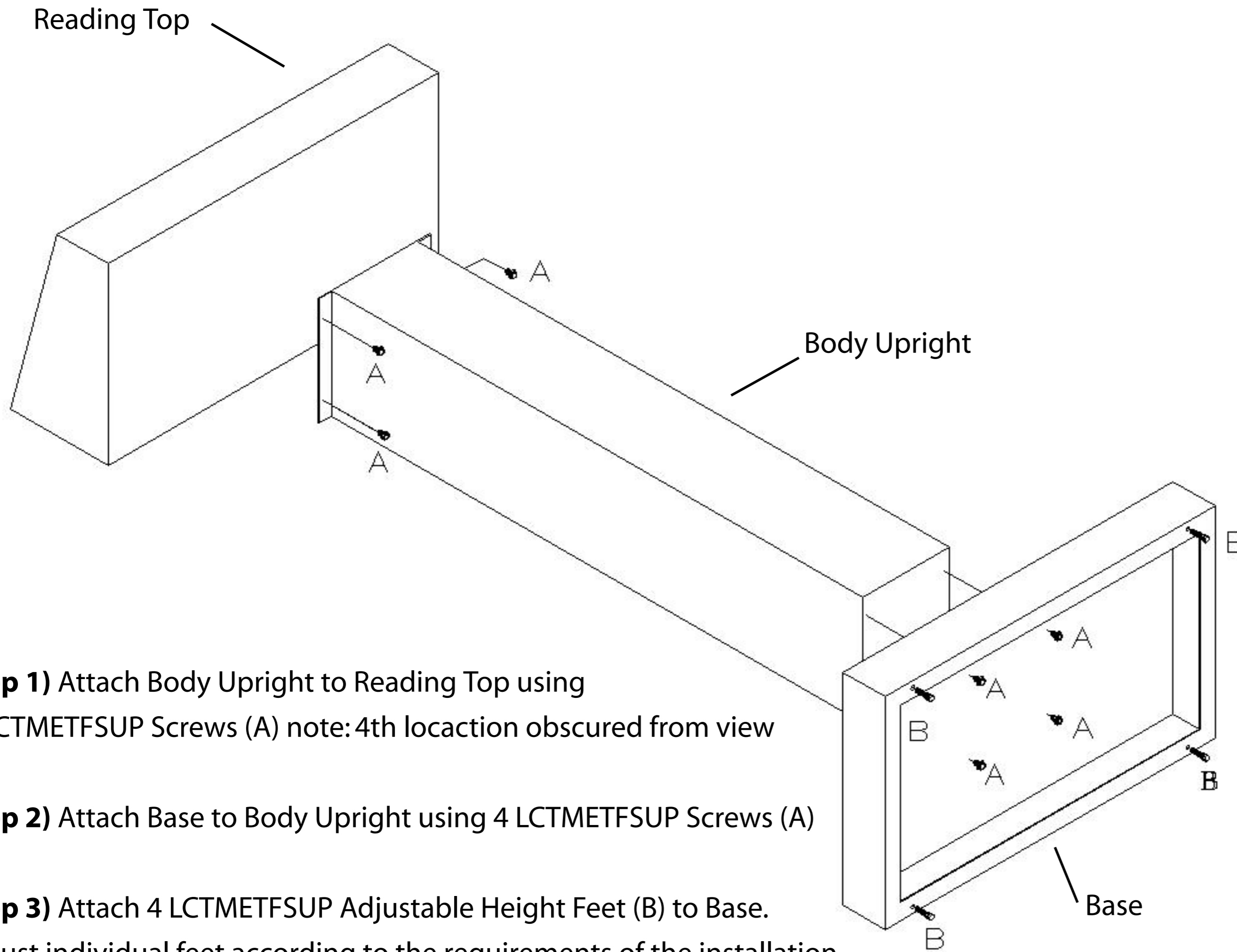


LCTMETFSUP - Assembly Instructions

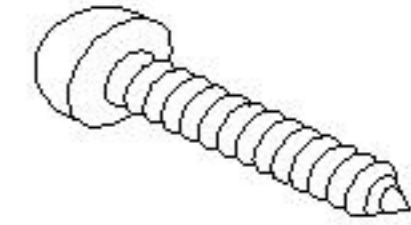


Step 1) Attach Body Upright to Reading Top using 4 LCTMETFSUP Screws (A) note: 4th location obscured from view

Step 2) Attach Base to Body Upright using 4 LCTMETFSUP Screws (A)

Step 3) Attach 4 LCTMETFSUP Adjustable Height Feet (B) to Base. Adjust individual feet according to the requirements of the installation location.

A:



B:

