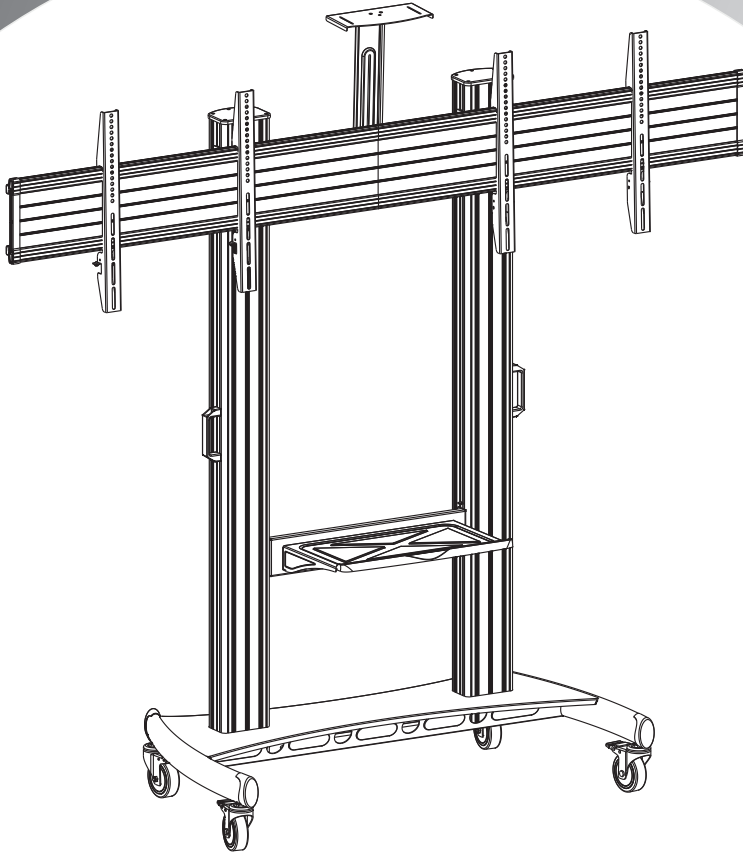


Installation Instruction



EMDB4060BK

Multi-functional and professional mobile cart

For TV panels: 2X 40" - 60"

Maximum capacity: 300 lbs / 136.4 kg

Table of Contents




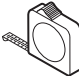




| | |
|--|---------|
| Table of Contents and Warning | 2 / 12 |
| Part list | 3 / 12 |
| 1. Columns to base installation | 4 / 12 |
| 2. TV Interface to columns installation. | 5 / 12 |
| 3. Rails to TV installation. | 6 / 12 |
| 4. TV assembly to interface installation | 7 / 12 |
| 5. AV Shelf assemble and installation. | 8 / 12 |
| 6. Video tray assemble & installation | 9 / 12 |
| 7. Cables and wires installation | 10 / 12 |
| 8. Product specifications. | 11 / 12 |
| 9. Full Installation view | 12 / 12 |

UK WARNING!

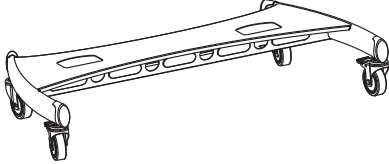
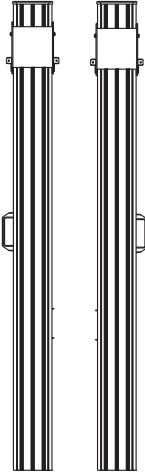



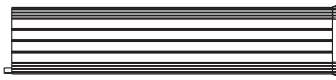
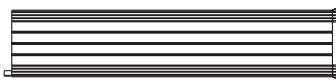
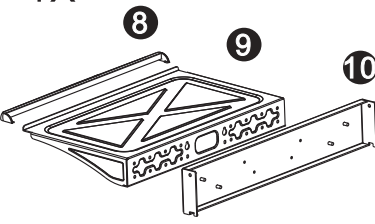
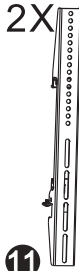

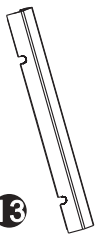
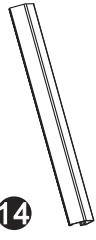





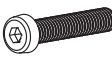


Severe personal injury and property damage can result from improper installation or assembly. Read the following warning carefully before beginning.

- If you do not understand the instructions or have any concerns or questions, please contact a qualified local installer.
 - Do not install or assemble if the product or hardware is damaged or missing, if you require replacement parts, please contact your local distributor for assistance.
 - No exist of stated specifications.
 - Do not use this product for other than the original designed.
 - This product contain moving parts, please use with caution.
 - The manufacturer disclaims any liability for the modifications, improper installation, or installation over the specified weight range. The manufacturer will not be liable for any damages arising out of the use of, or inability to use, the product.
- ▶ All images are for reference, to prevail in product.

Legend

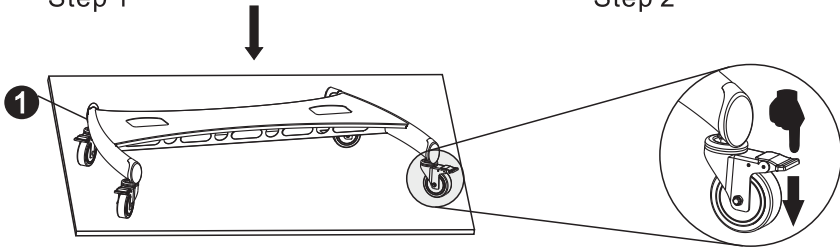
| | | | | | | | |
|--|---|---|---|---|---|---|--|
|  |  |  |  |  |  |  |  |
| Tightening Direction | Loosening Direction | Phillips Screwdriver | Measuring Tape | Adjustment | By Hand | Hex Wrench | + Tightening - Loosening |

Part List

| | | | | | |
|---|--|---|---|--|--|
| <p>1X</p>  <p>1</p> | <p>1X 1X</p>  <p>3 4</p> | <p>1X</p>  <p>5</p> <p>1X</p>  <p>6</p> <p>1X</p>  <p>7</p> | | | |
| <p>1X</p>  <p>1X</p>  <p>2</p> | <p>1X</p>  <p>8 9 10</p> <p>2X</p>  <p>11</p> <p>2X</p>  <p>12</p> | | <p>4X</p>  <p>13</p> | <p>6X</p>  <p>14</p> | |
| TV KIT | <p>A1 8X</p>  <p>M8×25mm</p> | <p>B1 8X</p>  <p>M6×25mm</p> | <p>C1 8X</p>  <p>M5×25mm</p> | <p>D1 8X</p>  <p>Φ16×Φ6.2×1.5mm</p> | <p>E1 8X</p>  <p>Φ18×27×H14mm</p> |
| Cart KIT | <p>A2 8X</p>  <p>M8×40mm</p> | <p>B2</p> <p>1X</p>  <p>M6</p> | <p>C2</p> <p>1X</p>  <p>M5</p> | | |

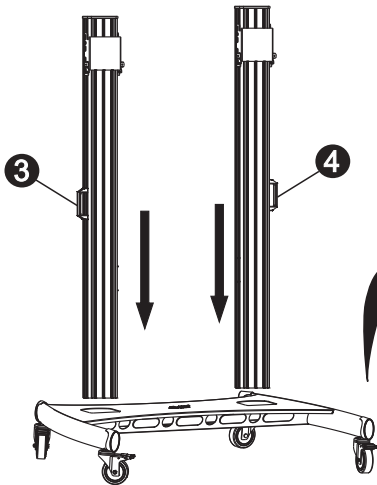
1. Columns to base installation

Step 1

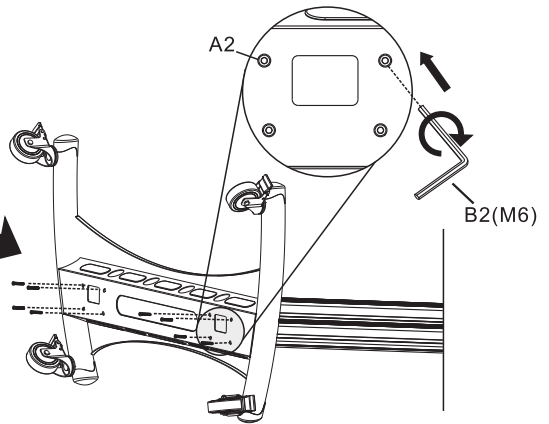


Step 2

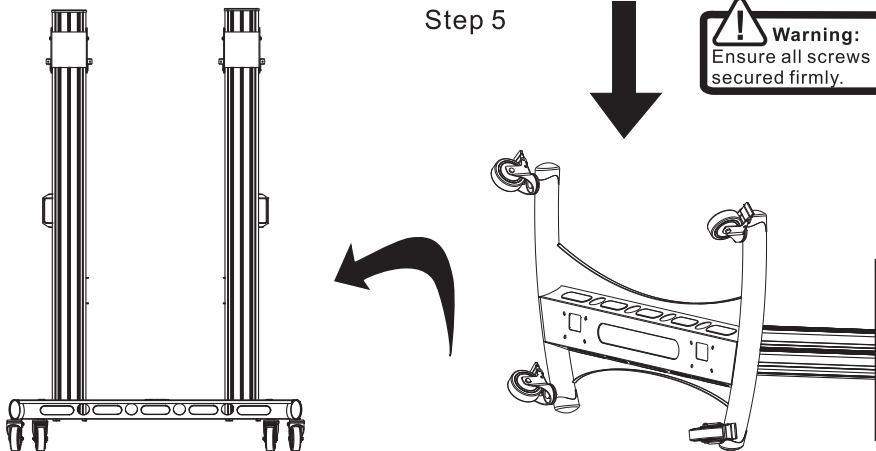
Step 3



Step 4

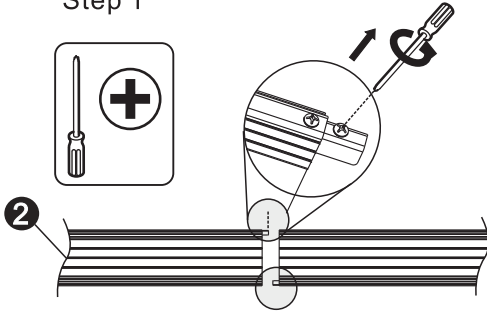


Step 5

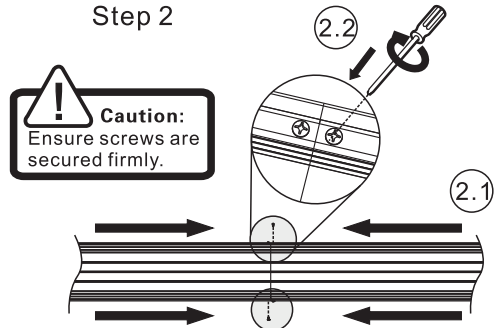


2.TV Interface to columns installation

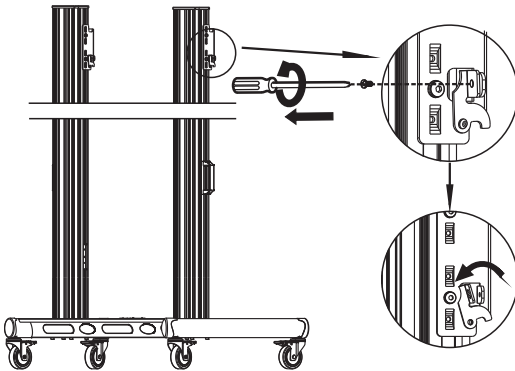
Step 1



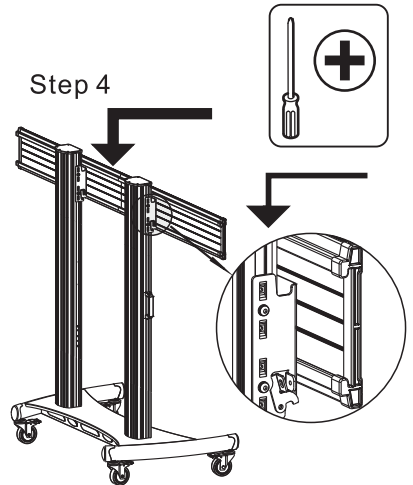
Step 2



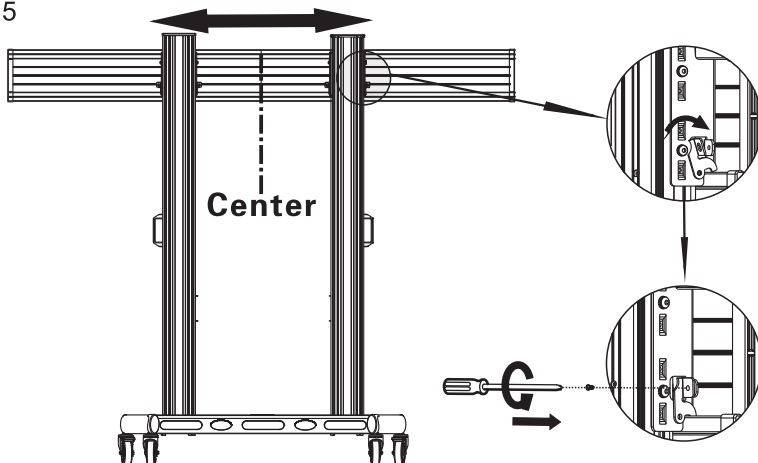
Step 3



Step 4

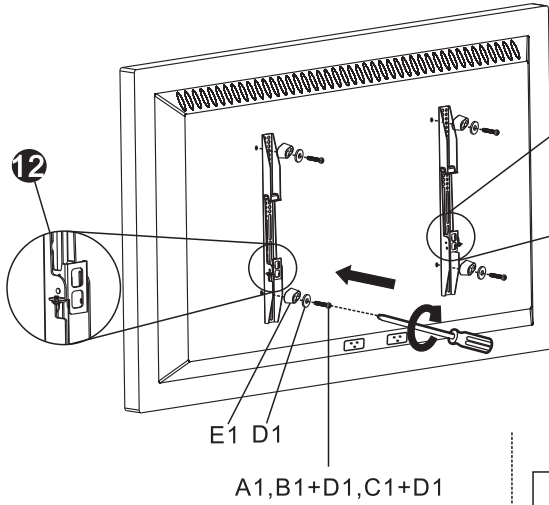


Step 5



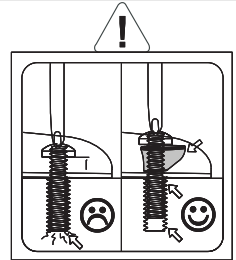
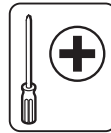
3.Rails to TV installation

Step 1

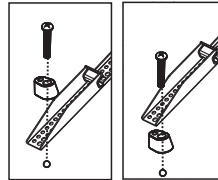


Notes:

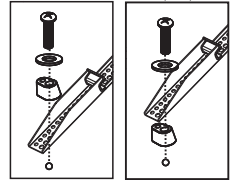
Plastic spacers must be used (except for C2) when assemble adaptor onto your TV to avoid TV threaded holes damaged when thread holes are shallow.



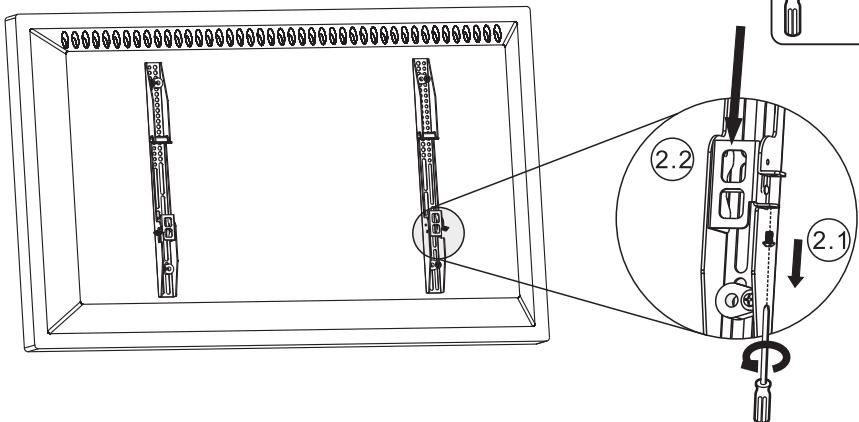
M8×25mm(A1)



M5×25mm(C2)
M6×25mm(B2)

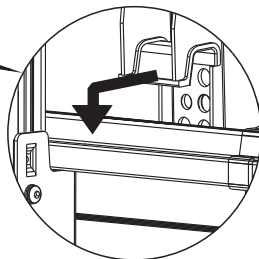
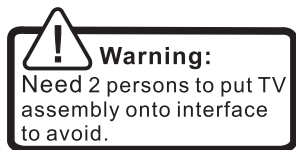
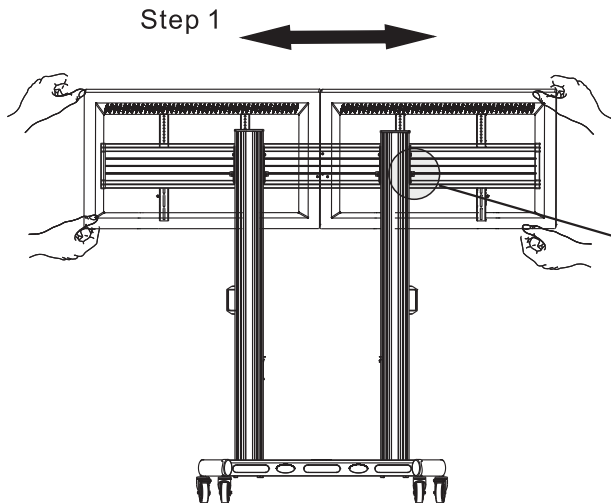


Step 2

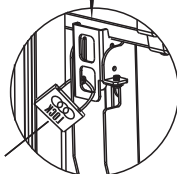
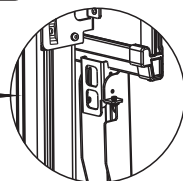
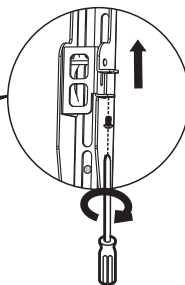
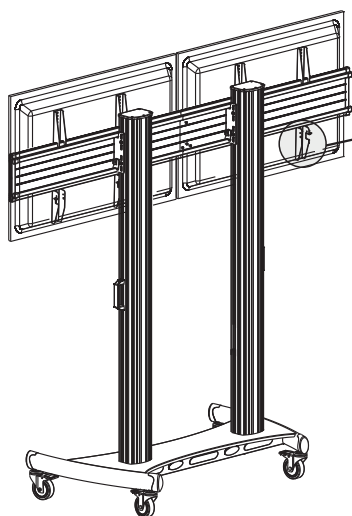


4.TV assembly to cant installation

Step 1



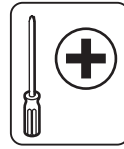
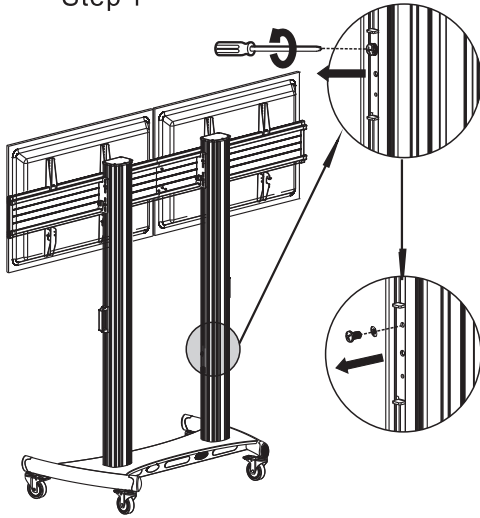
Step 2



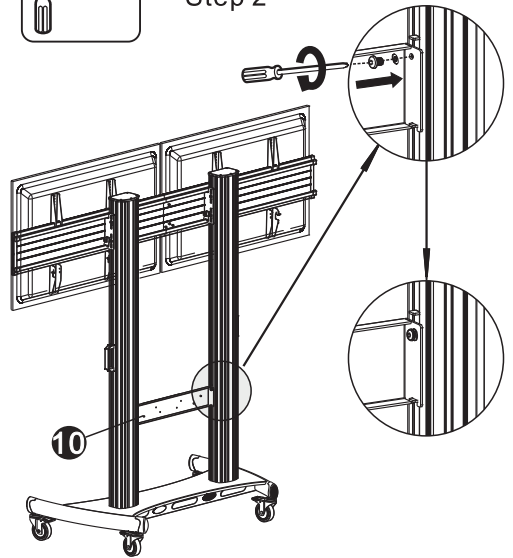
Pad lock not supplied

5.AV shelf assemble and installation

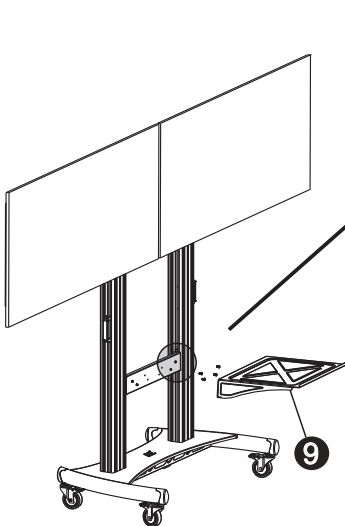
Step 1



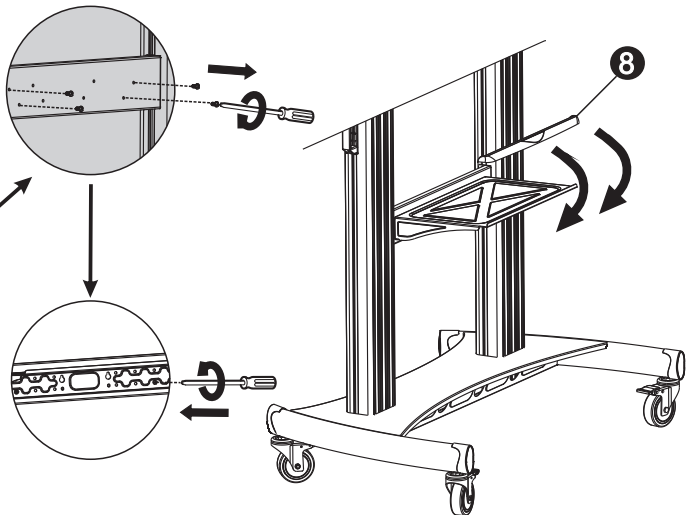
Step 2



Step 3

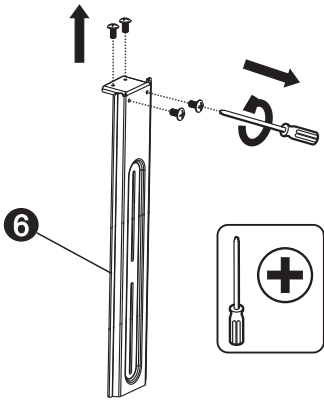


Step 4

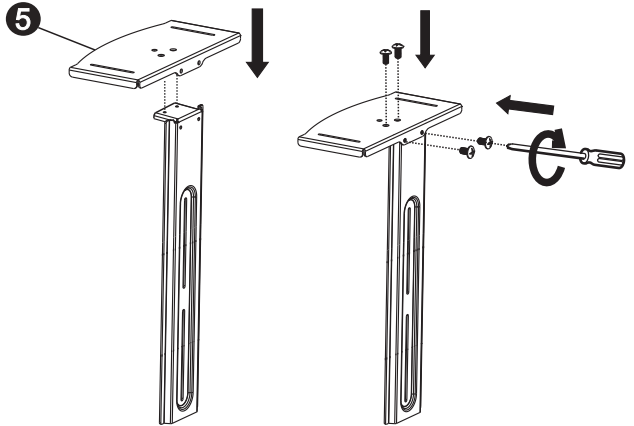


6.Video tray assemble & installation

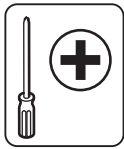
Step 1



Step 2

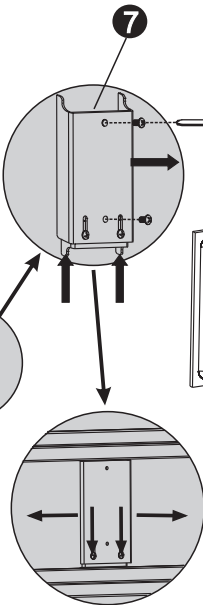
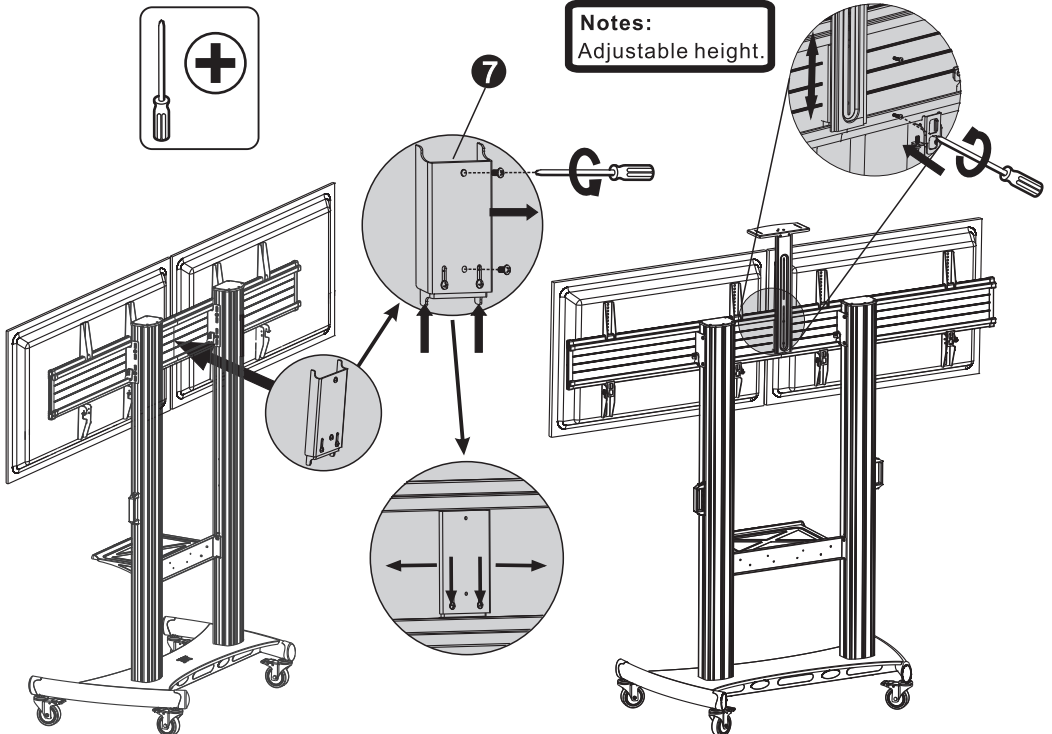


Step 1



Step 2

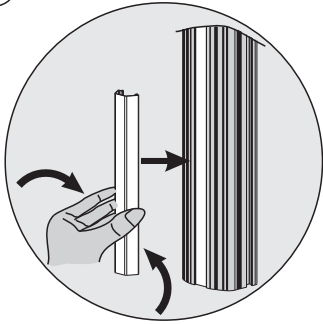
Notes:
Adjustable height.



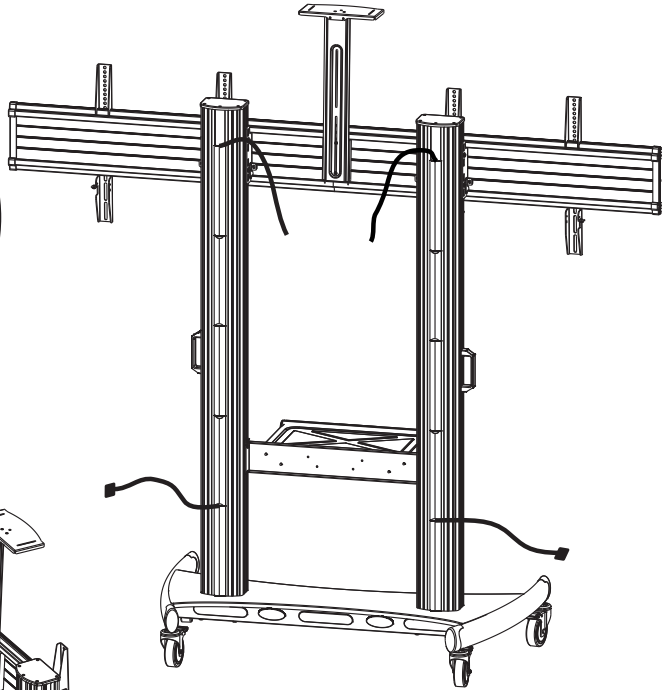
7.Cables and wires installation

Step 1

1.1



Step 2



1.2

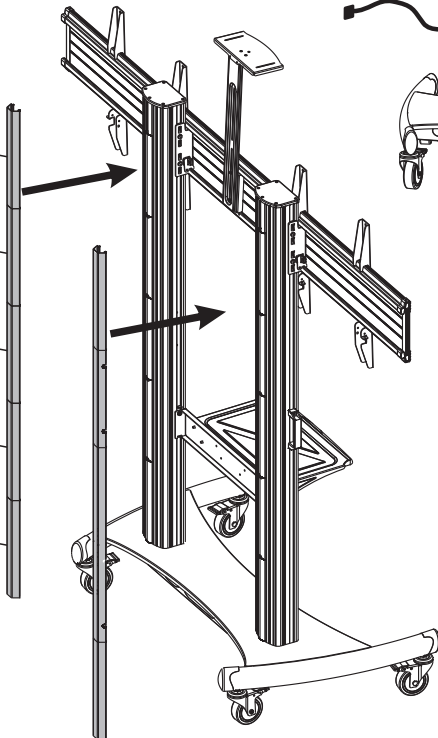
14

13

14

13

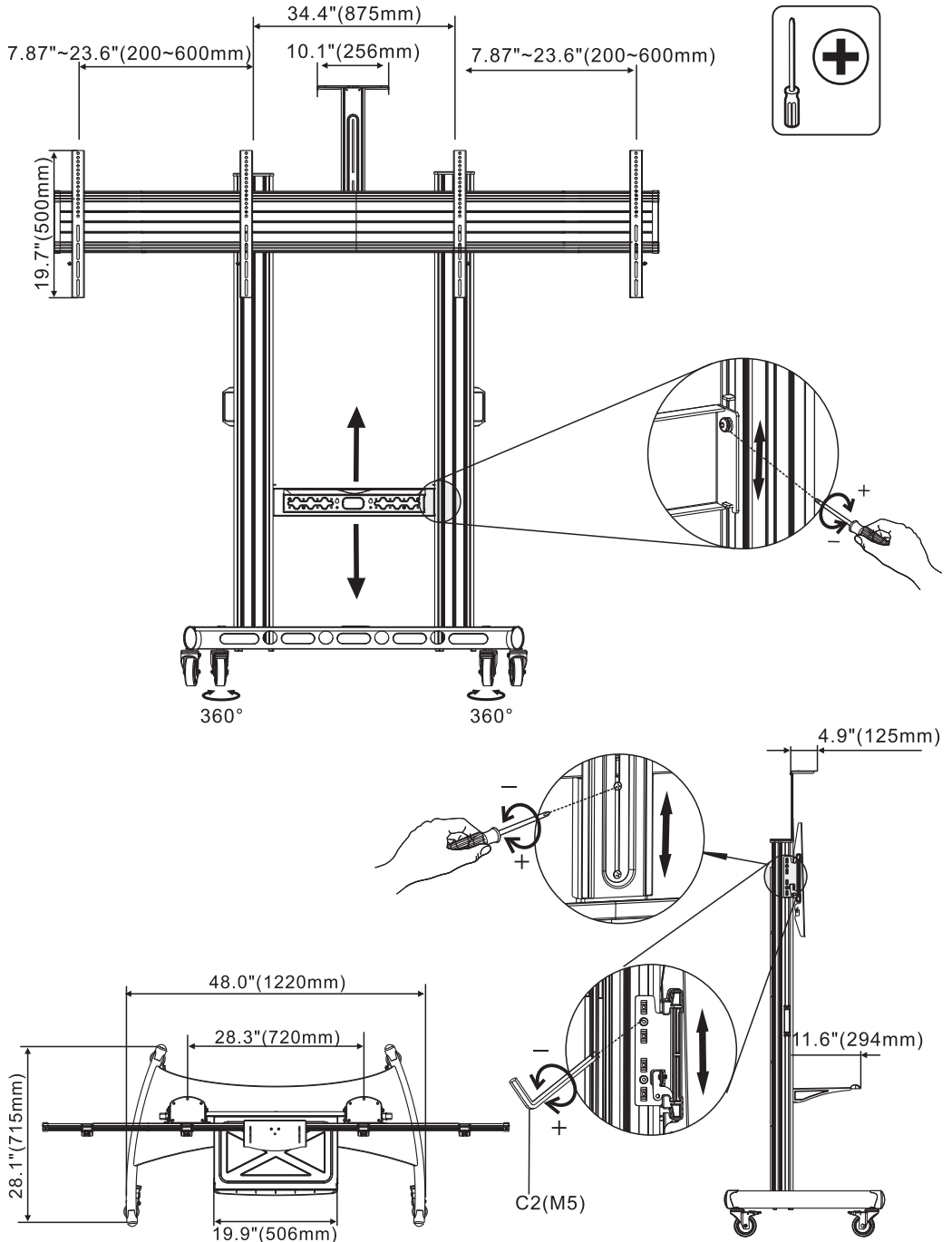
14



Notes:

Please be gentle during the cables and wires installation to avoid wires being damaged.

8.Product specifications



9. Installation completed views

