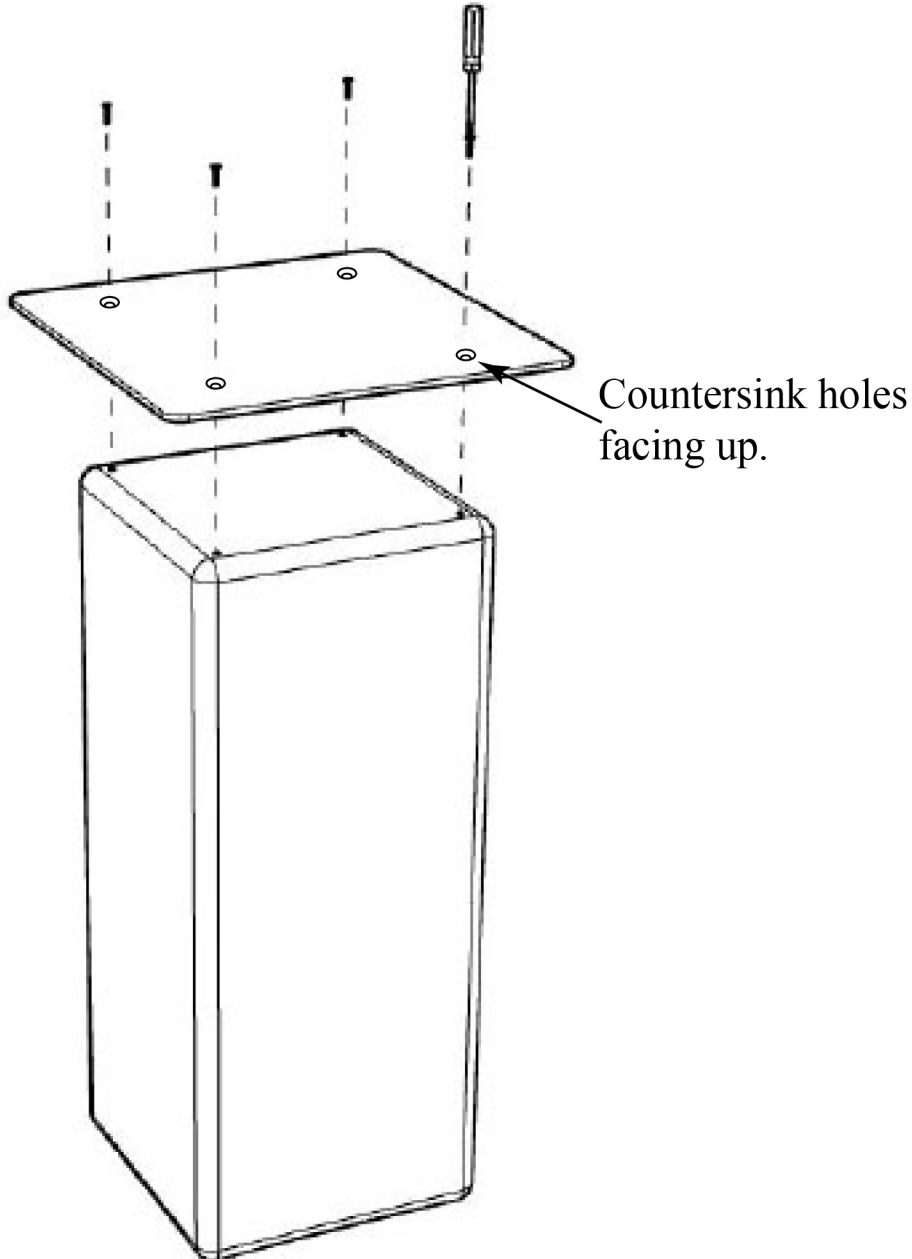


LED Table with Acrylic Tabletop ASSEMBLY INSTRUCTIONS

Use four screws to bolt table top to stand.



What is Included

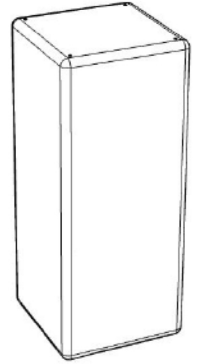
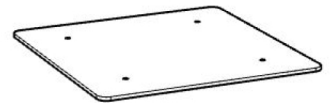
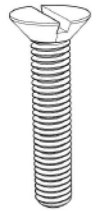


Table X1

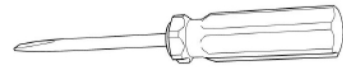


Tabletop X1



Screws X4

What You Will Need
to put this Together



Screw Driver



5 clear bumpers
- optional use
under table top

FDLEDSET11
FDLEDSET12
FDLEDSET13
FDLEDSET14
FDLED18STT
FDLED18SCS