

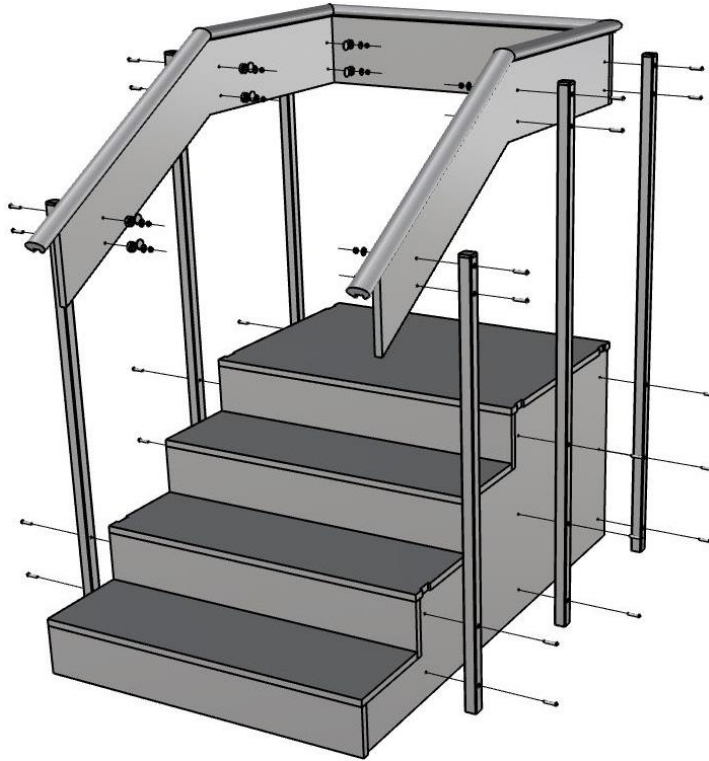
Assembly Instructions

M159M1310S – One Sided Therapy Stairs

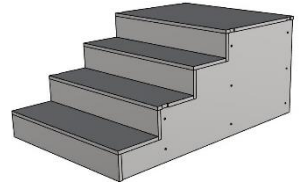
V 21.05



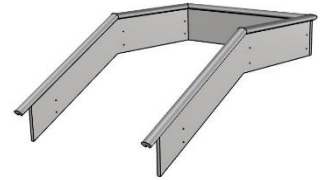
1



Steps



Handrail

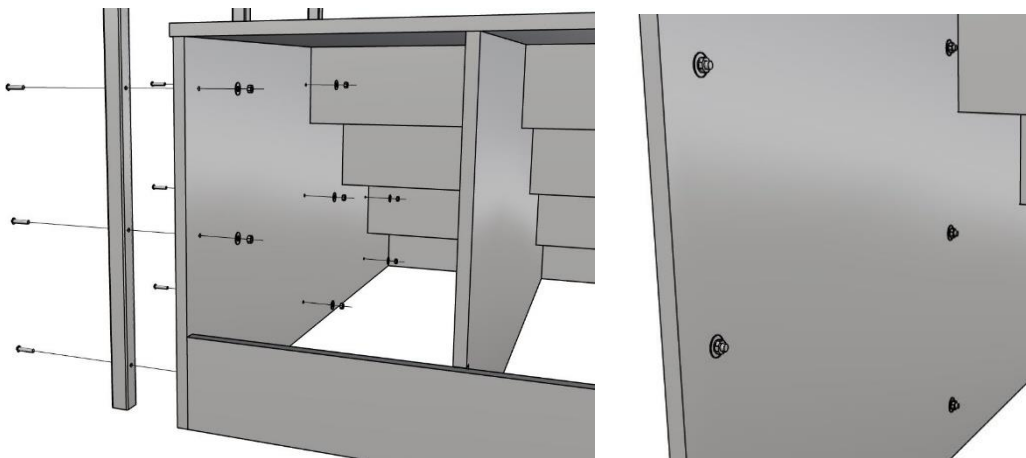


Upright Poles



2

Thread bolts through the bottom holes in the upright poles and secure on the inside of the stairs using washers and nuts. Tighten with 5/32 allen key.



Caps, Bolts,
Washers and Nuts



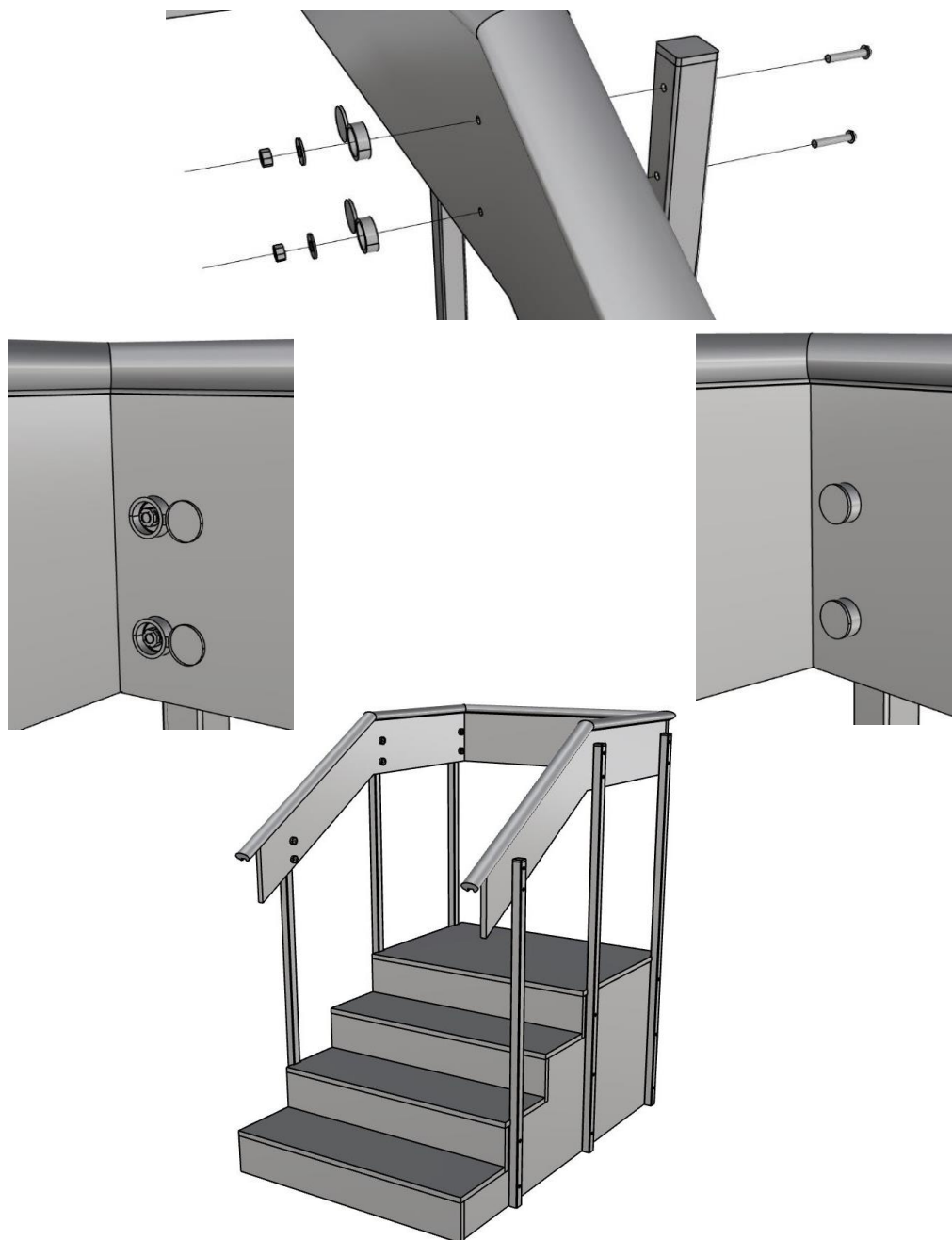
Tool needed:
5/32 Allen Key

Assembly Instructions

M159M1310S – One Sided Therapy Stairs

V 21.05  medifor

- 3 Attach handrails to the tops of upright poles by threading bolts through holes and securing with a black cap, washer and nut. Tighten with 5/32 allen key.



If you have any questions regarding our products, please visit us at www.medifor.com or contact Medifor customer service at 888-632-3077.