

# PORTABLE PROJECTION SCREEN

## INSTRUCTION MANUAL

SKU: PPS100IN

Scan QR code to visit the product page:



### Warnings

- Improper use and care may cause serious injury and/or damage!
- This product must be installed and placed on a flat and stable ground.
- Please read the following as any damage to the screen surface will impact the image's quality:
  1. Do not touch the screen with your hand or finger with excessive force.
  2. Do not write or draw on the screen surface.
  3. Do not use any sharp object to touch the screen surface, as it may scratch or tear the fabric.
  4. Do not use any detergent or cleaning products to clean the screen surface. Clean with a soft cloth and lukewarm water.
- Retract the screen after every use.
- Do not pull two sides of the screen fabric by hands. Do not fold the screen fabric.
- To prevent damage, always follow the instructions for the operation and maintenance of the screen.



Ignoring the safety warnings may lead to injuries or damaging the product.



The screen should be securely installed to avoid any accidents or damages.



Retract the screen after every use. Leave it hanging for a long period may cause screen fabric to be loose.



Do not replace the screen frame with unknown parts. Do not modify device as it may cause personal injury or property damage. Check the frame and make sure it's securely connected before every use. Loose parts may cause the screen to fall down.

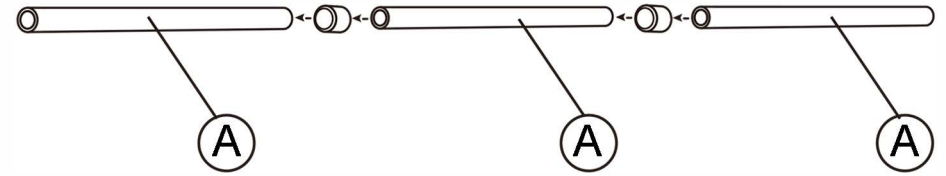


Do not hang other objects on the screen as it may cause the screen to fall down.

Product specifications are subject to change.

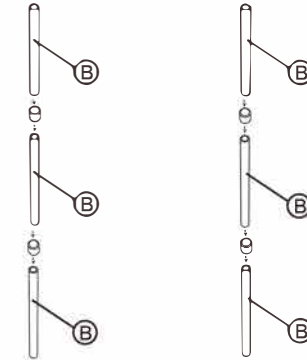
If you have any further questions regarding our products, please visit us at [www.displays2go.com](http://www.displays2go.com) or contact D2g customer service at 844-221-3388.

1



Connect (3) A tubes with straight connectors to assemble the top cross bar.

2

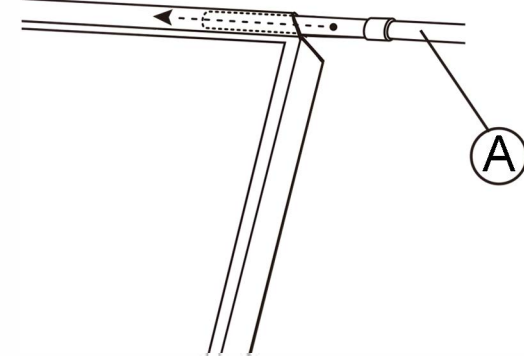


LEFT SIDE

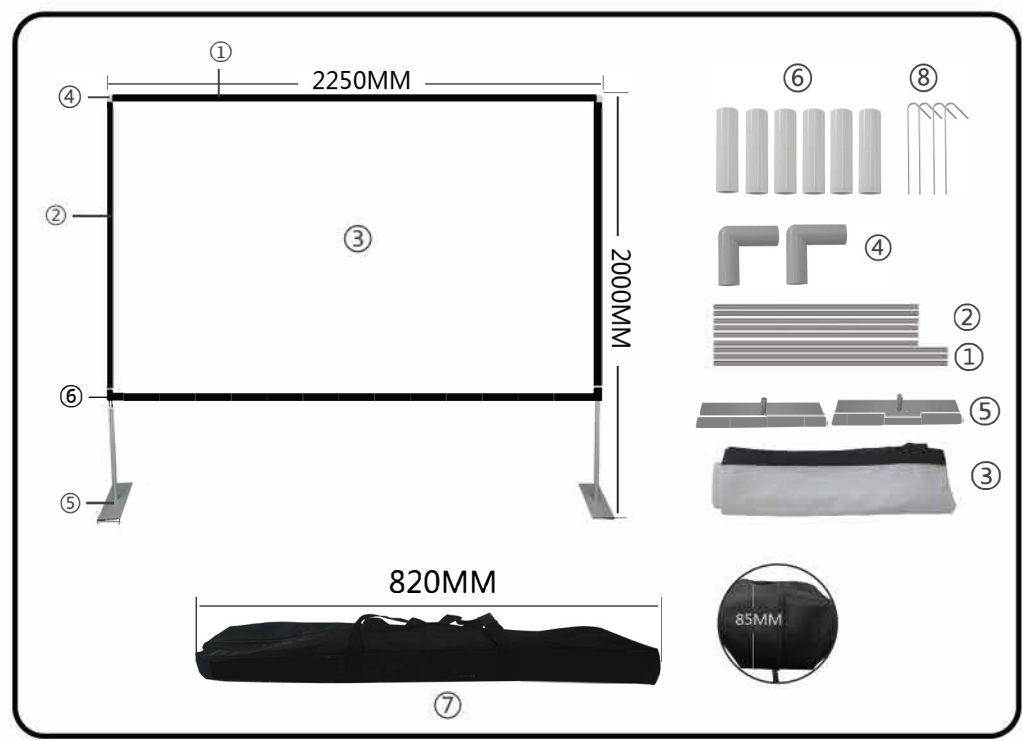
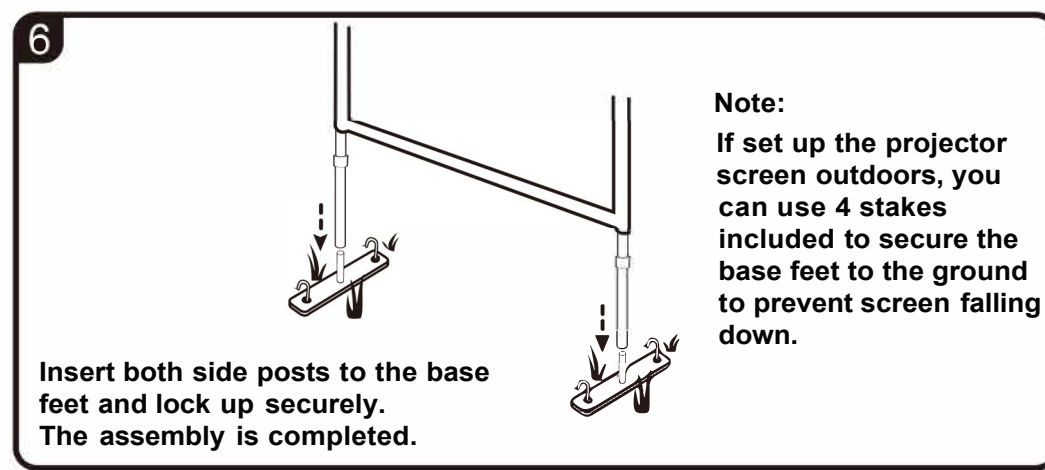
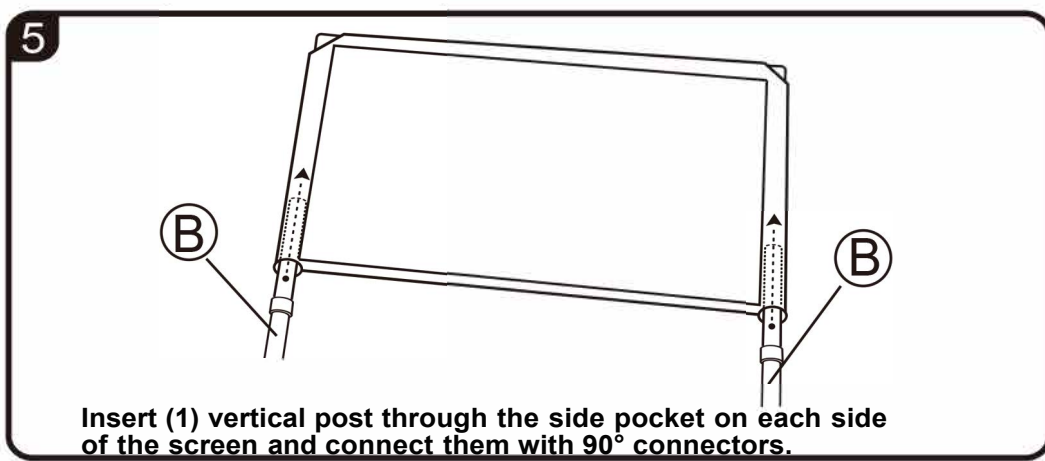
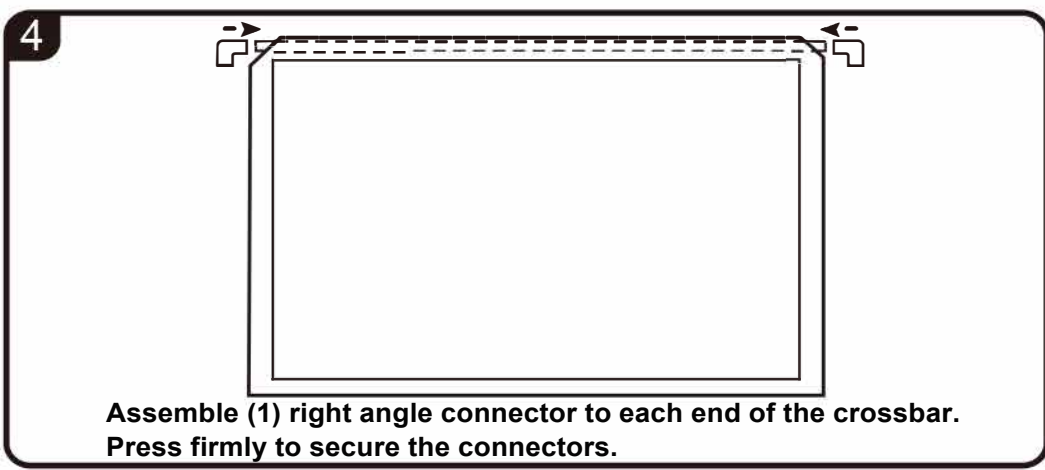
RIGHT SIDE

Connect (3) B tubes with straight connectors to assemble left & right posts.

3



Insert the crossbar through the pocket at the top of the screen fabric.



Serial Number	Part Name	Material	Quantity
1	Cross bar ( A )	Aluminium alloy	3
2	Vertical Pole ( B )	Aluminium alloy	6
3	Projection Screen	Polyester	1
4	90 degree connector	ABS	2
5	Supporting Base	Aluminium alloy	2
6	Straight Connector	ABS	6
7	Portable Bag	Nylon	1
8	Ground Stake	Steel	4