

Assembly Instructions

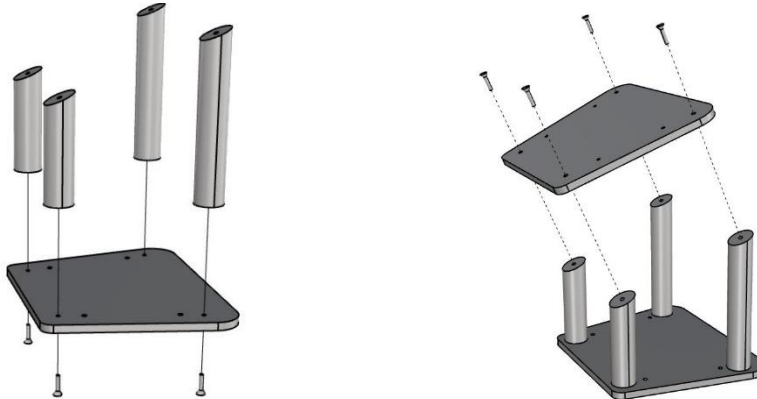
FLTCTOP – Floor to Counter Lectern Top

V 19.09

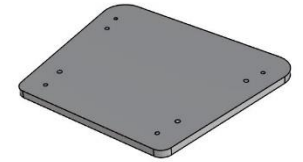
1

Before you start, place acrylic parts on a flat and smooth surface. Carefully peel off protective films attached on acrylic panels.

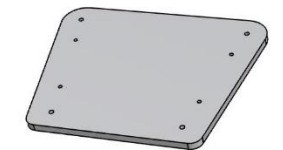
Take all 4 acrylic rods out of their polybags and attach all 4 rods to panel A using 4 bolts provided. Attach panel B to the angled face of the acrylic rods.



Panel A



Panel B



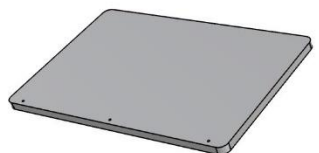
Acrylic Rod



Paper Lip

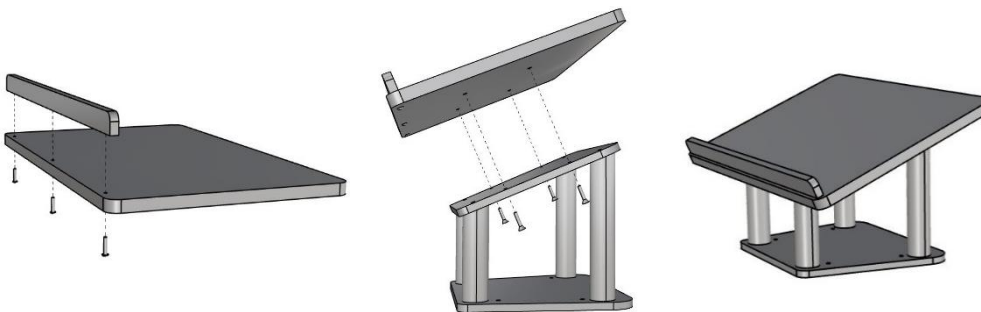


Lectern Top



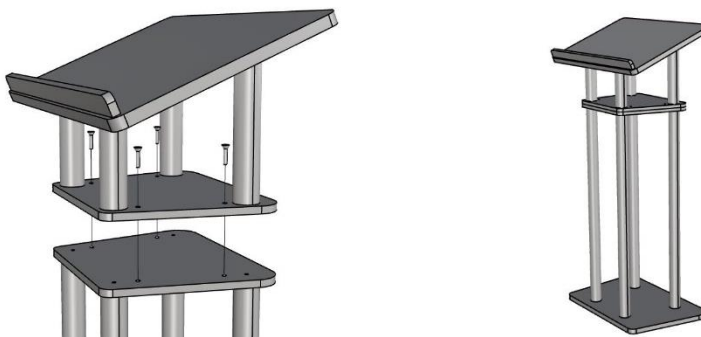
2

Attach paper lip to the lectern top using the 3 smaller bolts provided. Once paper lip is on, attach the top to the rest of the unit by screwing the 4 bolts into the top from underneath panel B.



3

If you also purchase FLTCTBASE, assemble the entire lectern by placing the top onto the base and securing using 4 bolts provided.



If you have any questions regarding our products, please visit us at www.displays2go.com or contact D2G customer service at 844-221-3388.