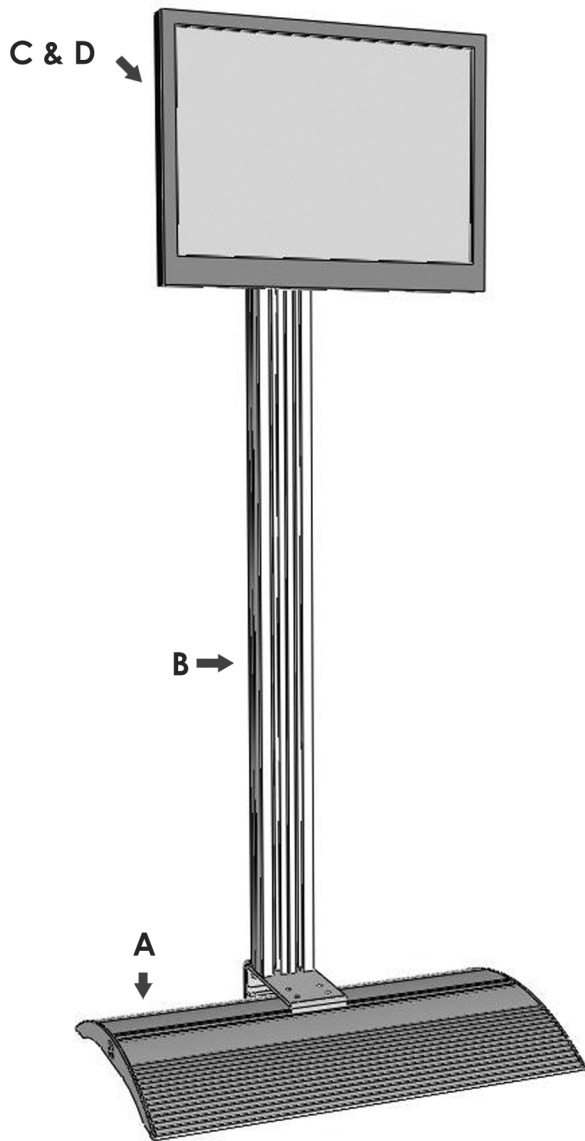


# AV Display: ASSEMBLY INSTRUCTIONS

**FIG. 1** PARTS ASSEMBLED

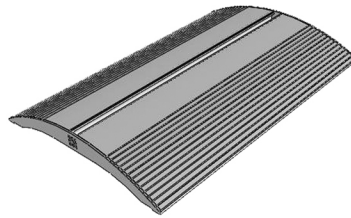


You will need to have the following tools in order to continue with the assembly process. All other hardware is included.

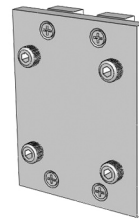
- Phillips Head Screw Driver
- Flat Head Screw Driver

## PARTS LIST:

**A)** BASE24



**C)** MOUNTING BRACKET



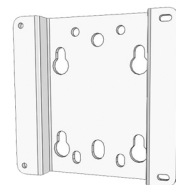
**E)** 5mm ALLENKEY



**B)** AVEXTRU48



**D)** VESA100

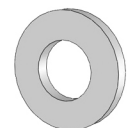


**F)** 6mm ALLENKEY



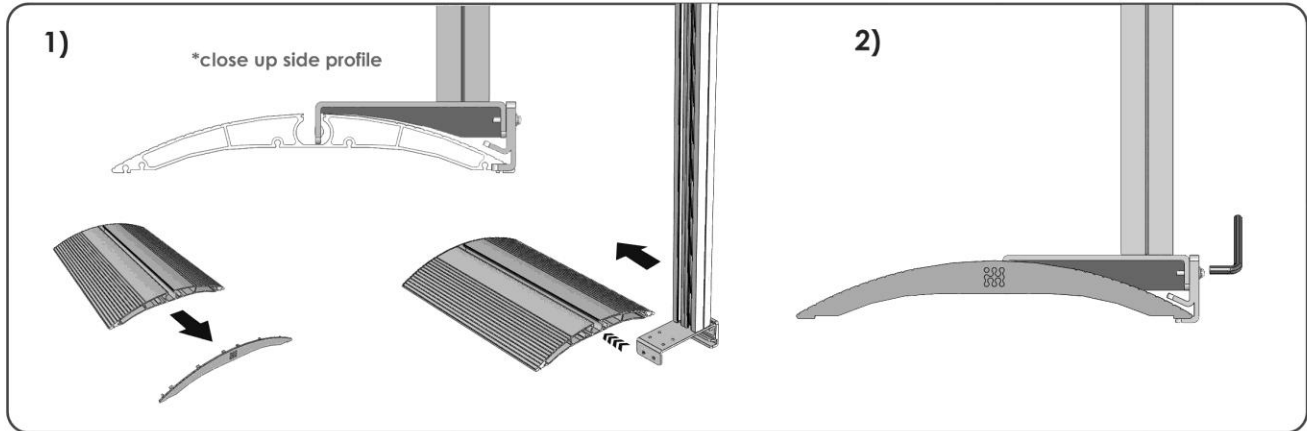
**G)** M4 HARDWARE KIT

M4 x25mm (x 4)    M4 x15mm (x 4)    M4 x12mm (x 4)    1/8" & 1/4" SPACERS (x 4)    1/16" WASHERS (x 4)



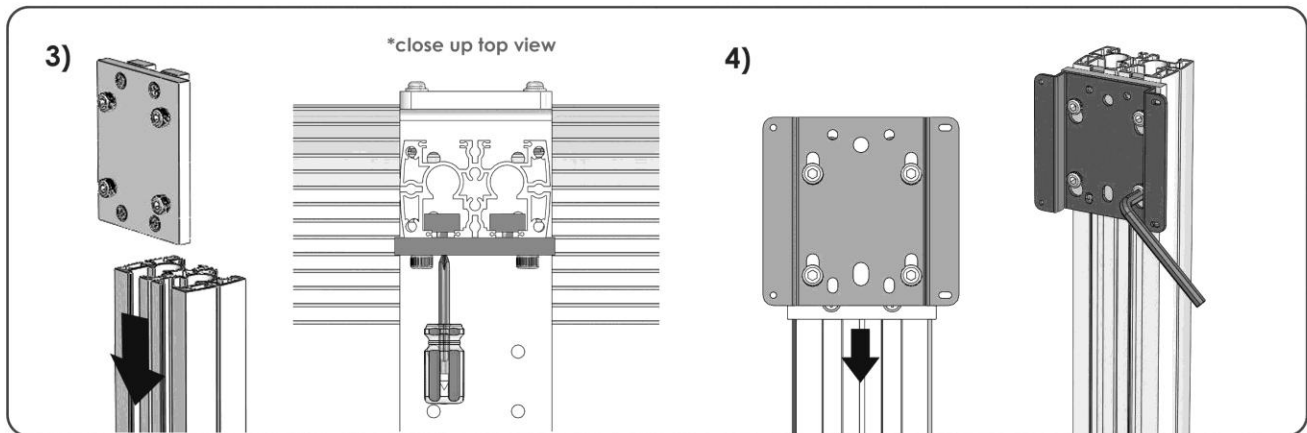
Please Note: The monitor mounting hardware that is included with this unit is designed to work with most standard monitors. Additional hardware may be purchased at your local hardware supplier.

## STEP 1: ATTACH (B) AVEXTRU48 TO PART (A) BASE24



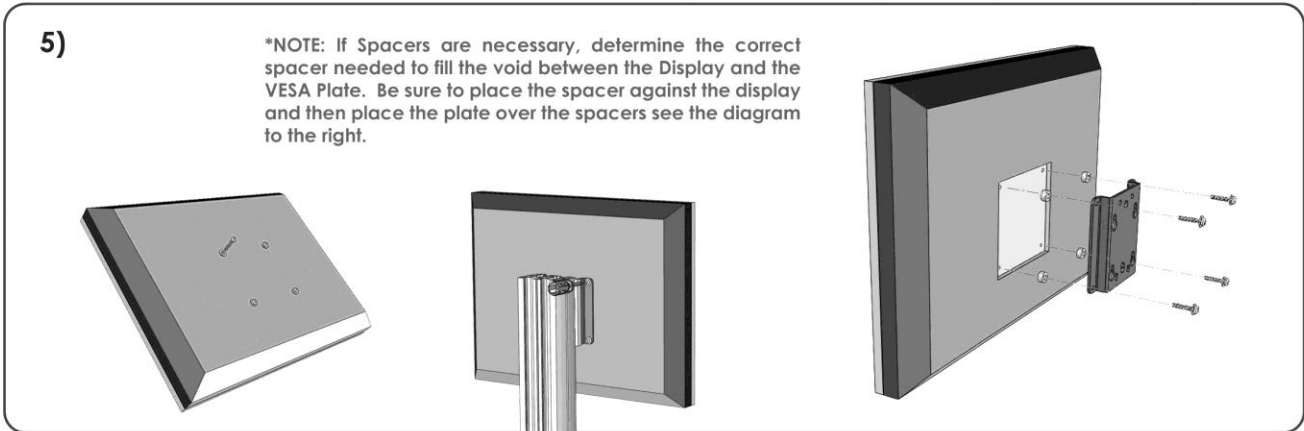
- 1) Remove end cap from **(A) BASE24** and slide the clamp on **(B) AVEXTRU48** into the middle channel on the base. If necessary loosen the bolts on the base clamp using the **(E) 5mm ALLENKEY**. Slide the **(B) AVEXTRU48** so it's sitting in the center of the base.
- 2) Securely tighten the base clamp on part **(B) AVEXTRU48** using the **(E) 5mm ALLENKEY**. Replace the end cap previously removed in step 1.

## STEP 2: ATTACH PART (C) MOUNTING BRACKET TO (B) AVEXTRU48



- 3) Determine your desired location to mount your monitor, then slide the bars on the **(C) MOUNTING BRACKET** into the channels on the **(B) AVEXTRU48**. Fasten the Mounting Bracket using a philips head screw driver.
- 4) Once attached place the **(D) VESA100** plate onto the **(C) MOUNTING BRACKET** by aligning the keyholes on the plate to the exposed screw heads on the bracket. Loosen the screw heads on the bracket if necessary to fit the VESA100 plate then tighten the plate down using the **(F) 6mm ALLENKEY**.

### STEP 3: MOUNT TV/MONITOR TO THE ASSEMBLED UNIT USING THE HARDWARE PROVIDED



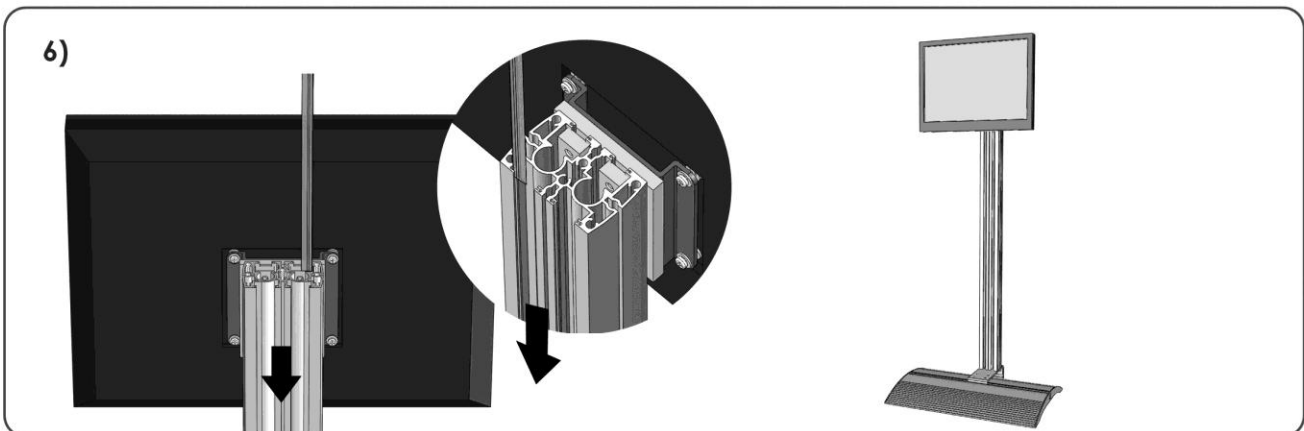
5) Lay display face down on a clean dry surface.

Remove existing hardware, if any, from the holes used to mount the bracket on the back of your TV/Monitor. Dry fit the screws provided (with the plate if necessary) to determine the length of the screw needed for mounting. The screw head should be at least 1/8" off the hole to allow space for the plate. Pre-existing screws can be used to mount the tv/monitor to the plate only if the display has a flat backed surface and sits flush to the plate.

**\*note: If the mounting holes in the tv/monitor are in a recessed area, spacers (provided) must be used to bring the plate to the proper installation depth. If the display mounting area is flush, the spacers are not required and the plate is mounted directly to the tv/monitor.**

With someone's assistance hold up the TV/Monitor to align the mounting holes on the display to the **(D) VESA100** plate. Place four screws (determined in last step) with the 1/6" washers (provided) into the mounting holes in the **(D) VESA100** plate and into the TV. Tighten all screws using a philips head screw driver.

### STEP 4: INSERT PLASTIC EXTRUSION INTO PART (B) AVEXTRU48 AND HIDE ALL CORDS



6) Slide the plastic extrusion provided with part **(B) AVEXTRU48** into the channels in either the front or the back of part (B) to hide the exposed cords and plugs from the displays. Repeat with all four plastic extrusions.

7) Double check all connections and screws. You're now finished assembling your AV10 Display