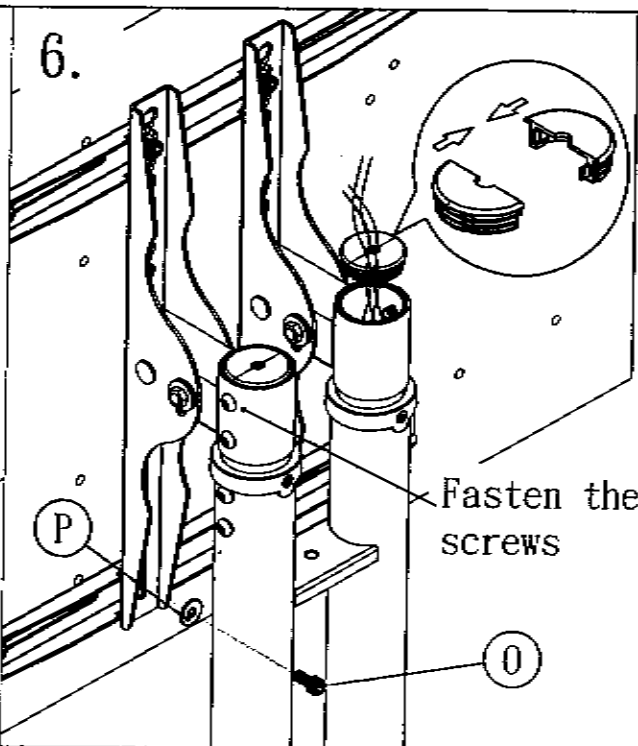
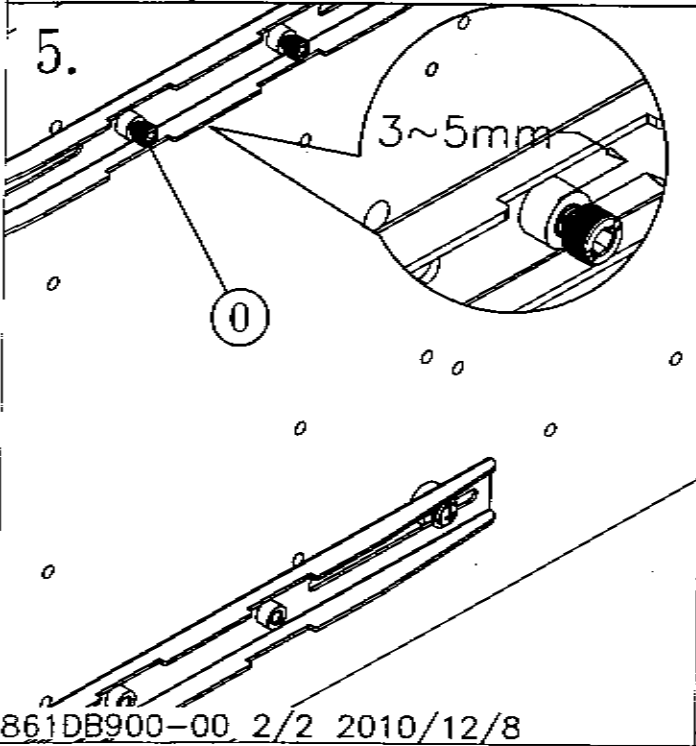
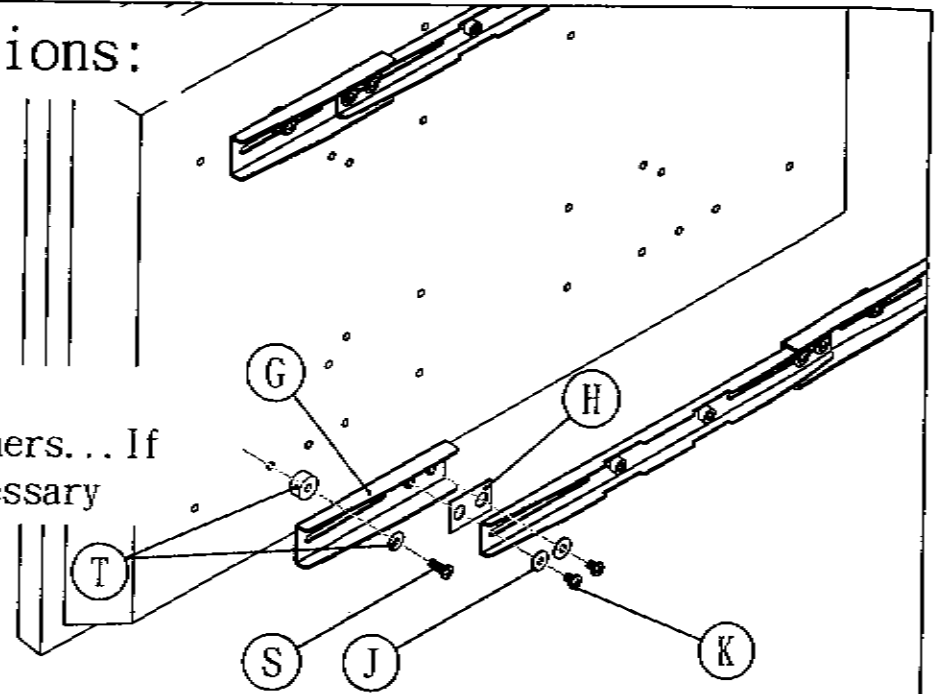


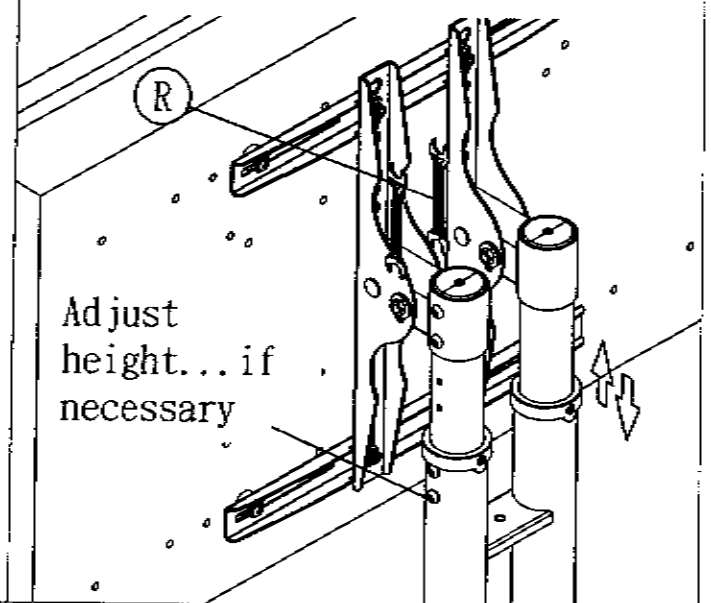
Options:

Add washers... If necessary



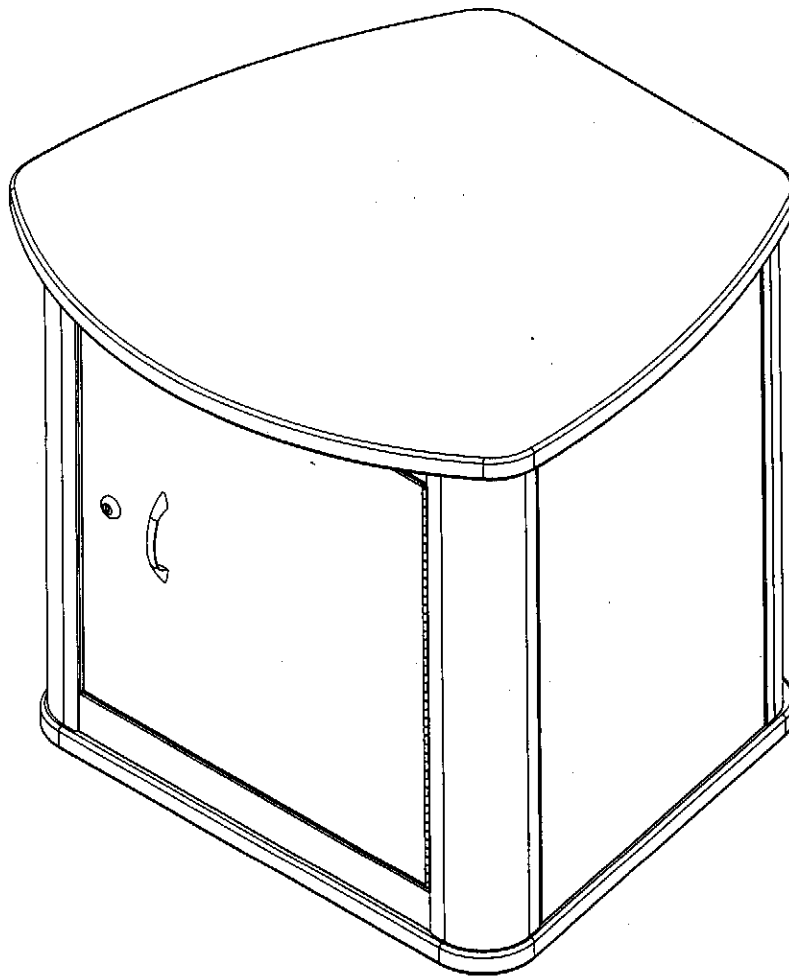
Adjust torque... if necessary

Adjust height... if necessary



ASSEMBLY INSTRUCTIONS

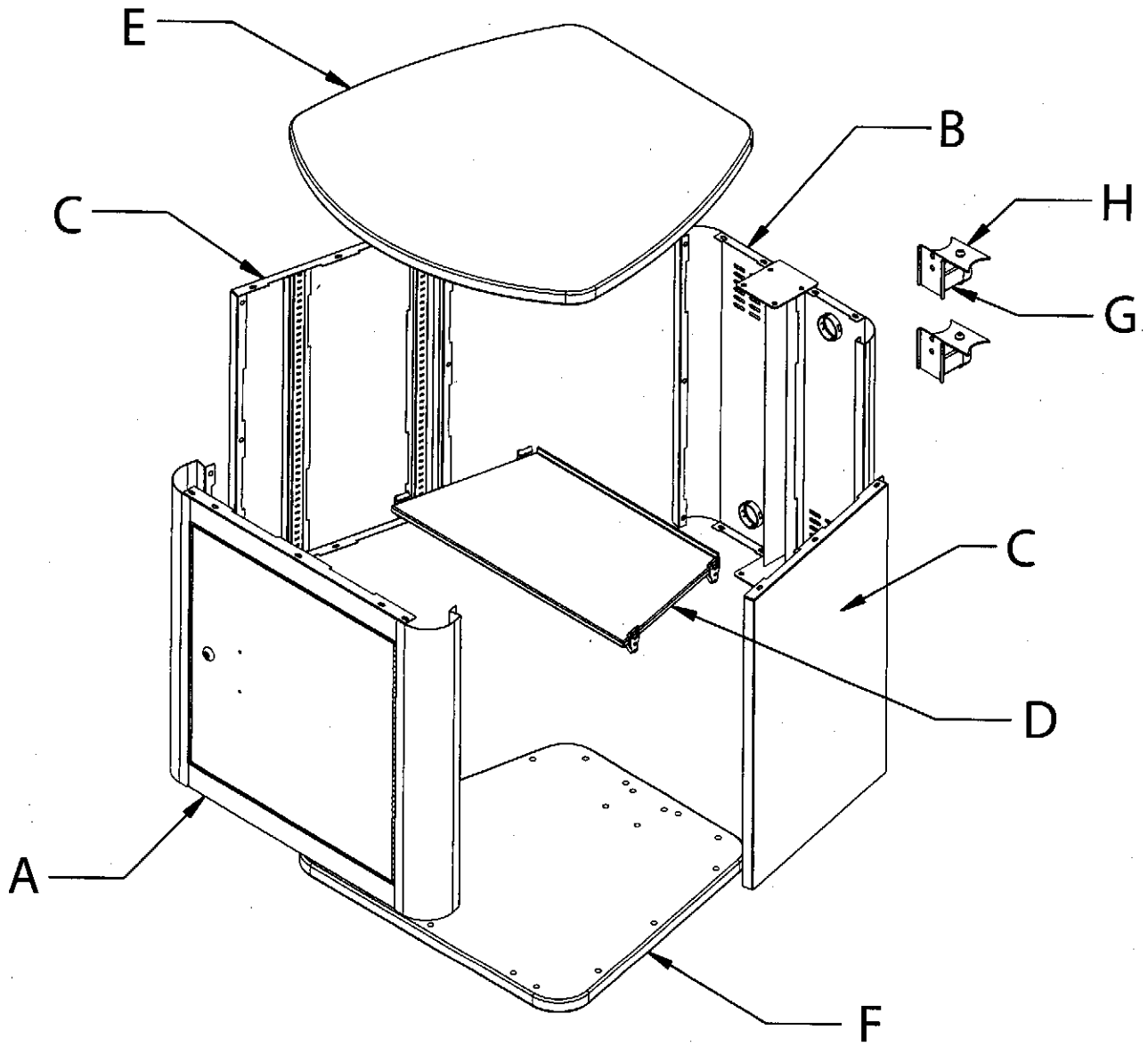
AV-Modular Cabinet and TV Stand



CAUTION:

Read all instructions and safety tips before using this product

PARTS LIST



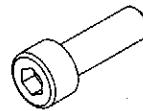
Part	Description	Quantity		Description	Quantity
A	Door	1	E	Top	1
B	Back	1	F	Bottom	1
C	Side Plate	2	G	Height Arm	2
D	Shelf	1	H	Shelf Bracket	2

HARDWARE CONTENTS

Part	Description	Quantity	Part	Description	Quantity
J	Screw M5X12	62	Q	Screw M8X16	4
K	Flat Washer	62	R	Screw M10X50	2
L	Spring Washer	62	S	Hex Nut M10	2
M	Shelf Clip	4	T	Hex key 6mm	1
N	Handle	1			
P	Screw #8-32X1/16	2			



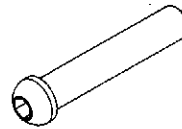
J - 62 pcs



Q - 4 pcs



K - 62 pcs



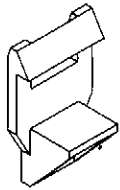
R - 2 pcs



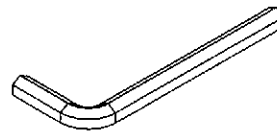
L - 62 pcs



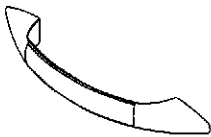
S - 2 pcs



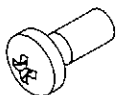
M - 4 pcs



T - 1 pcs



N - 1 pcs



P - 2 pcs

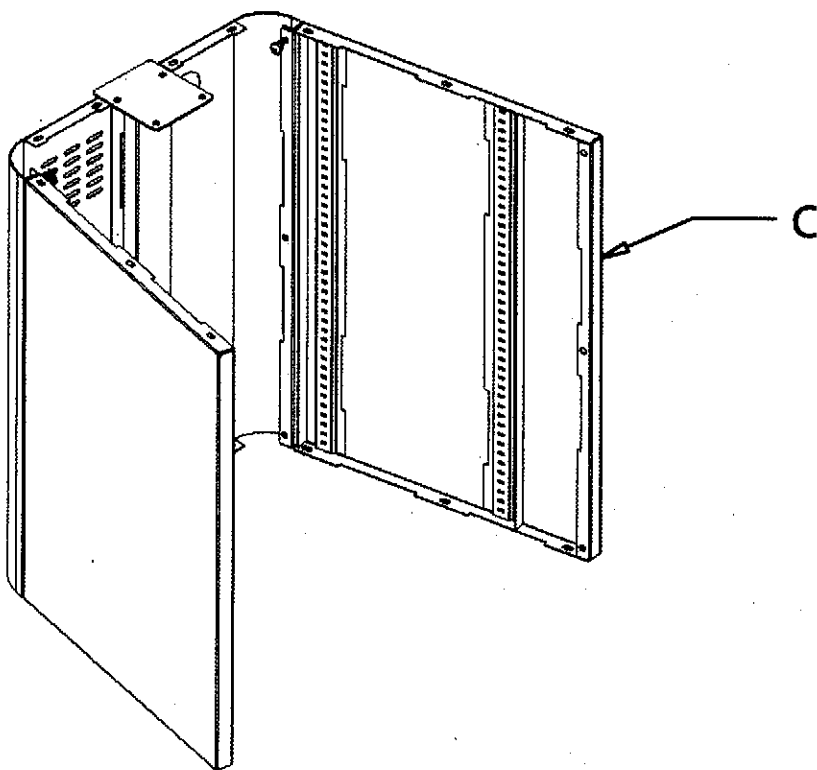
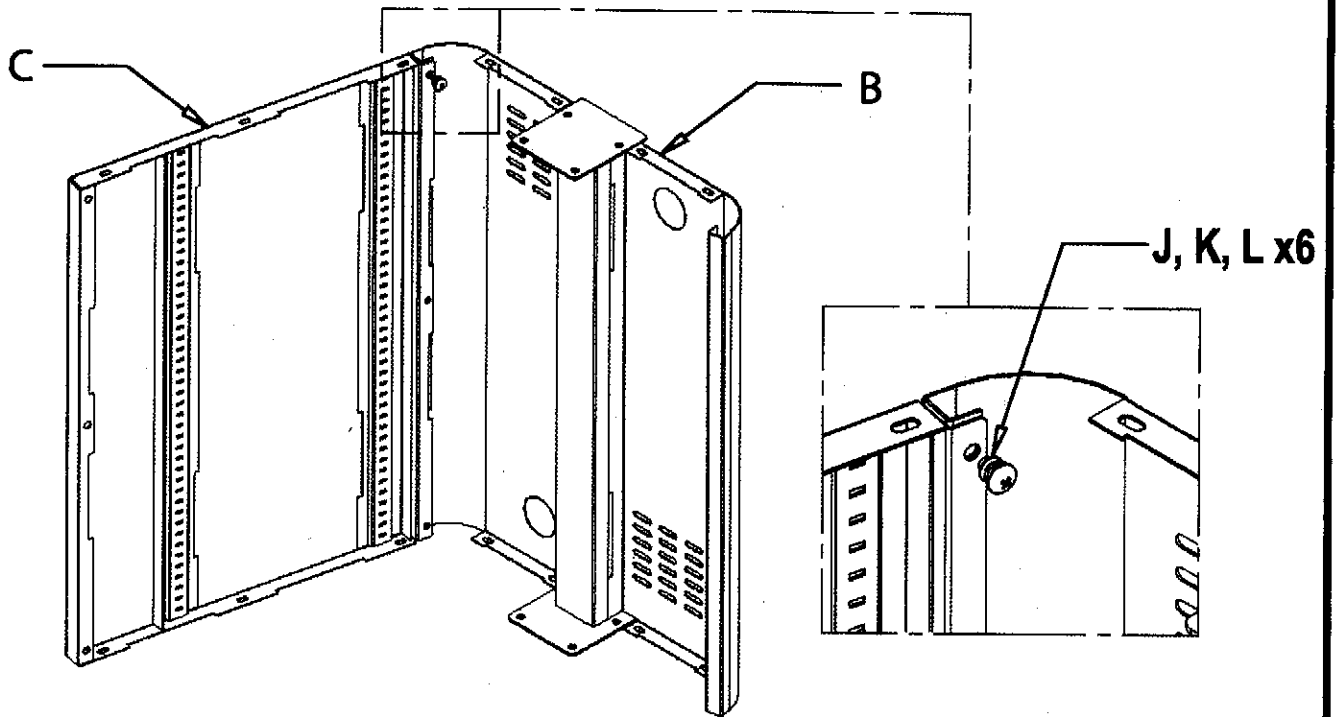
CAUTION

1. Before assembling parts, please check the parts quantity according to the PARTS LIST.
2. Carefully unpack and spread out all parts in a large uncluttered area.
3. Familiarize yourself with all parts and compare them with the drawing below to make sure none are missing. Read all assembly instructions before beginning.
4. Start assembly of cabinet following steps 1 to 7 as shown in drawings.

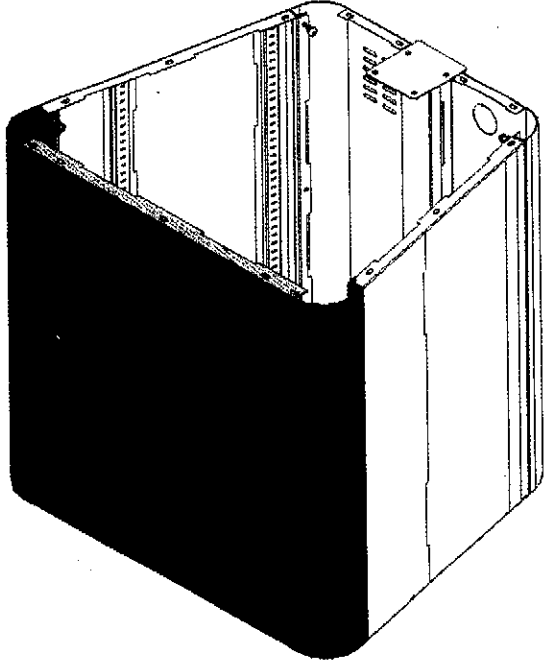
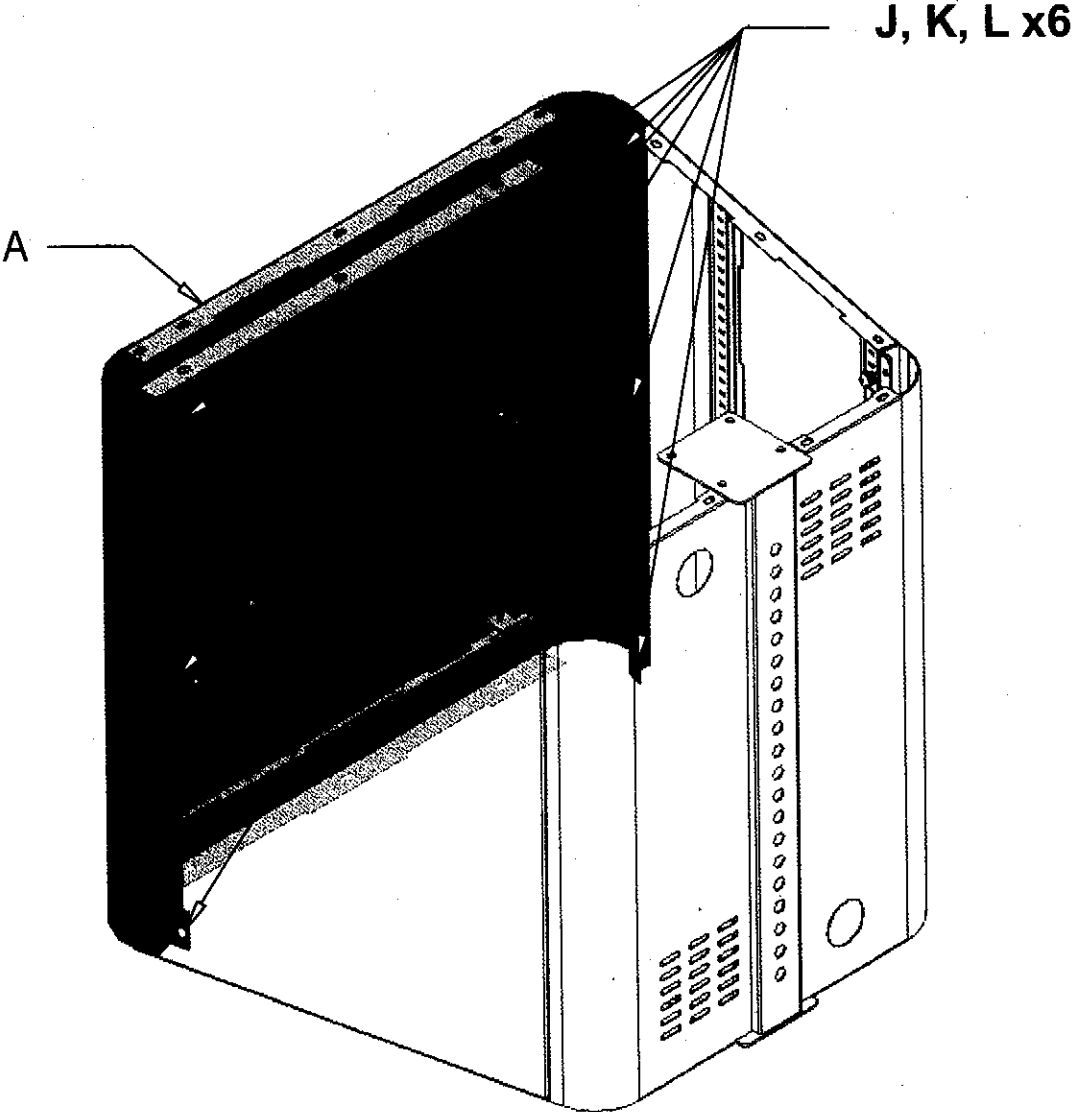
WARNING

1. Close doors before moving.
2. Do not stand on the product. You may fall which may cause personal injury.
3. Do not climb on, in or around. Keep away from children.

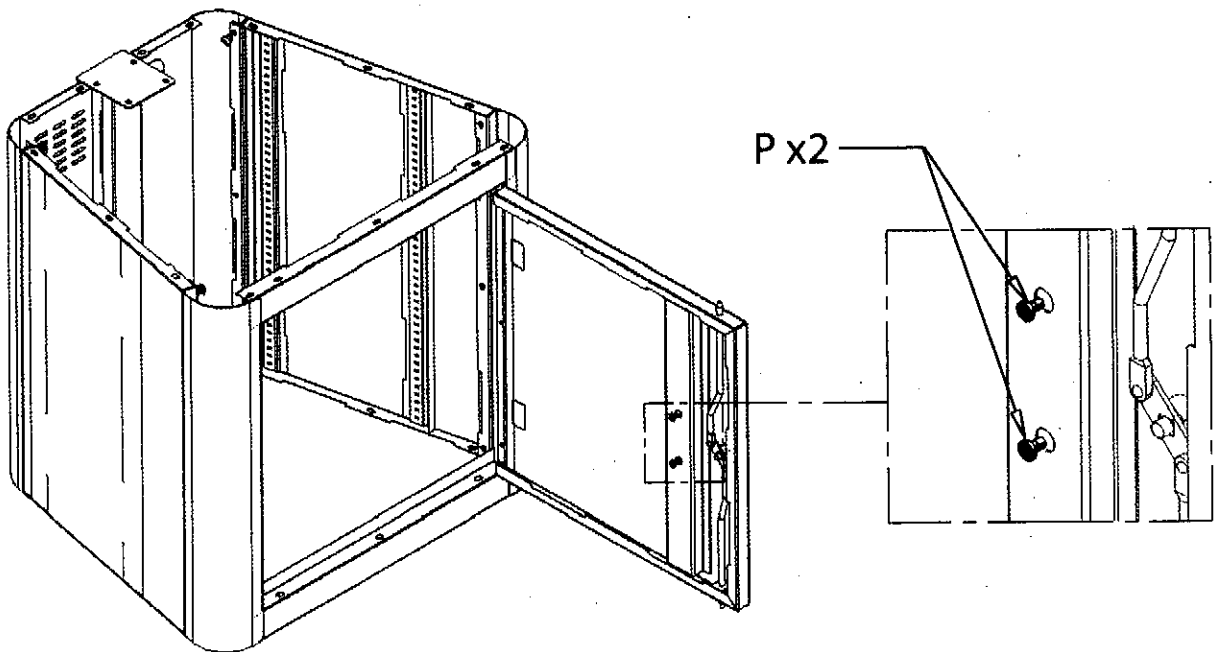
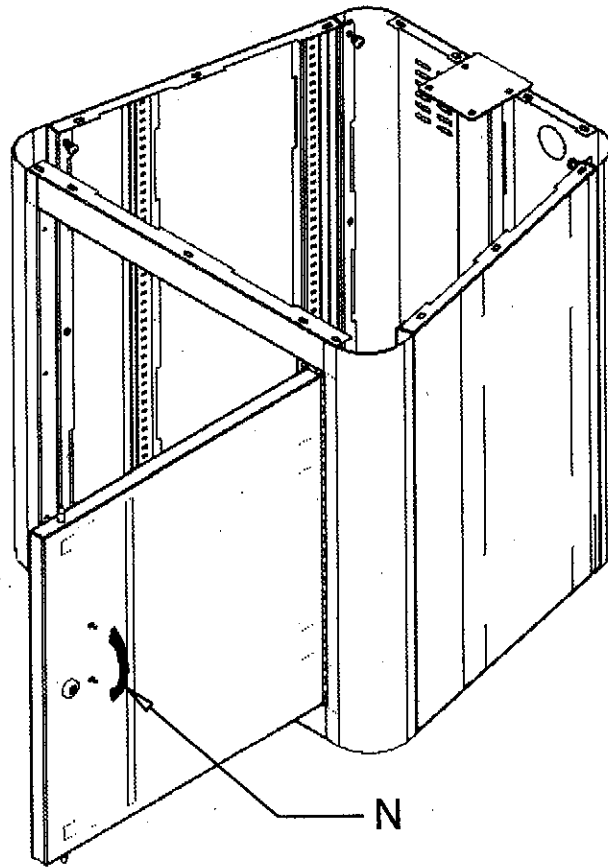
Step 1



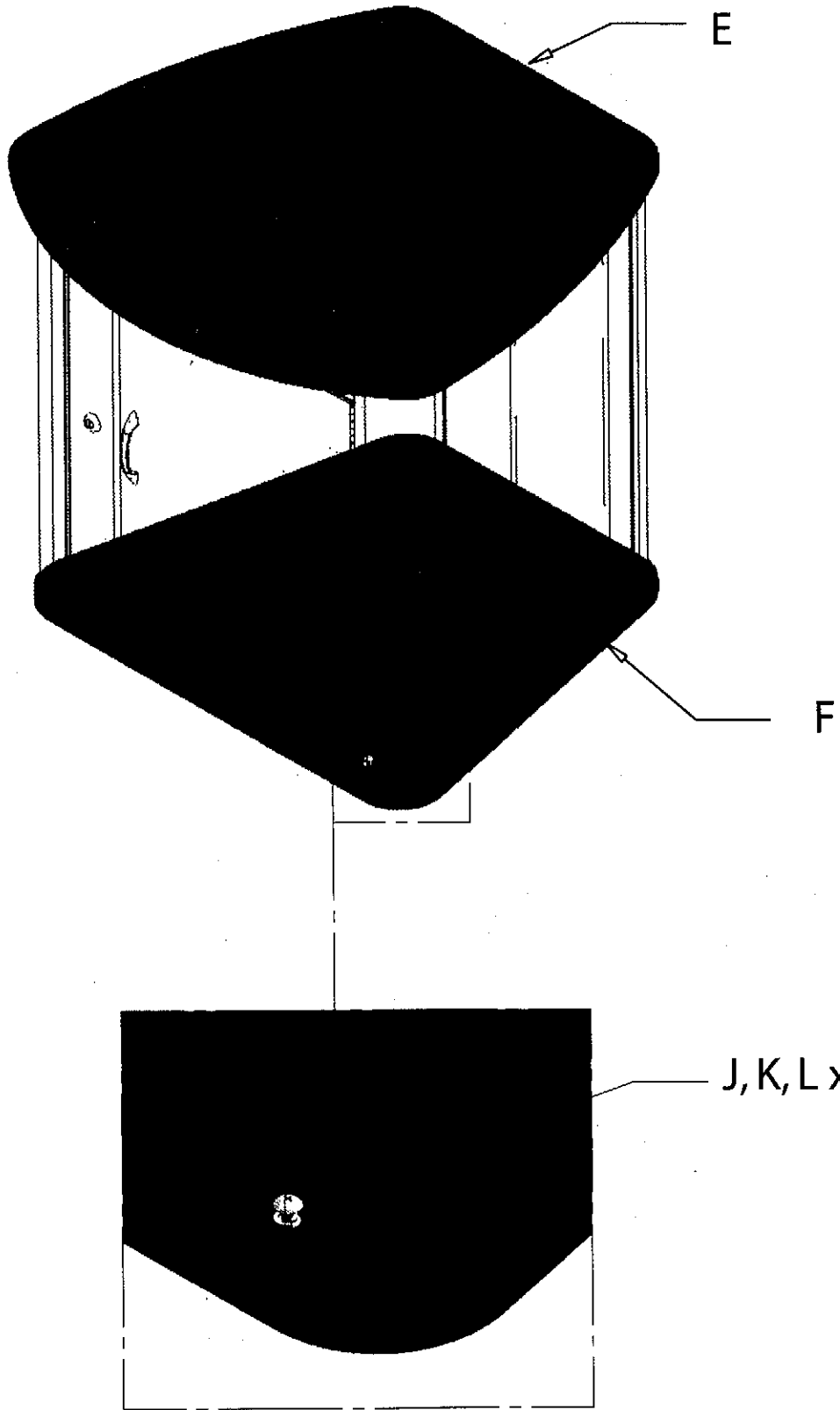
Step 2



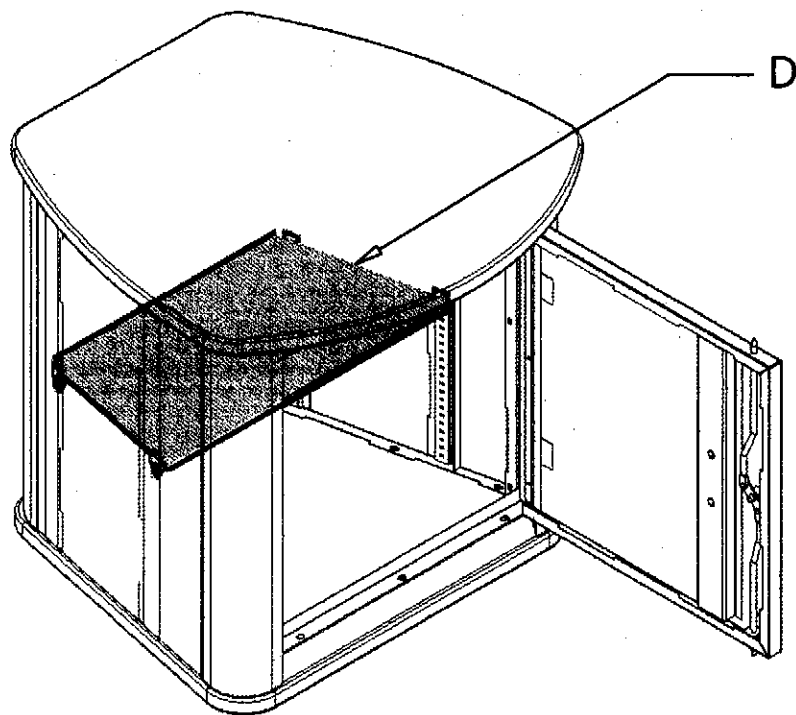
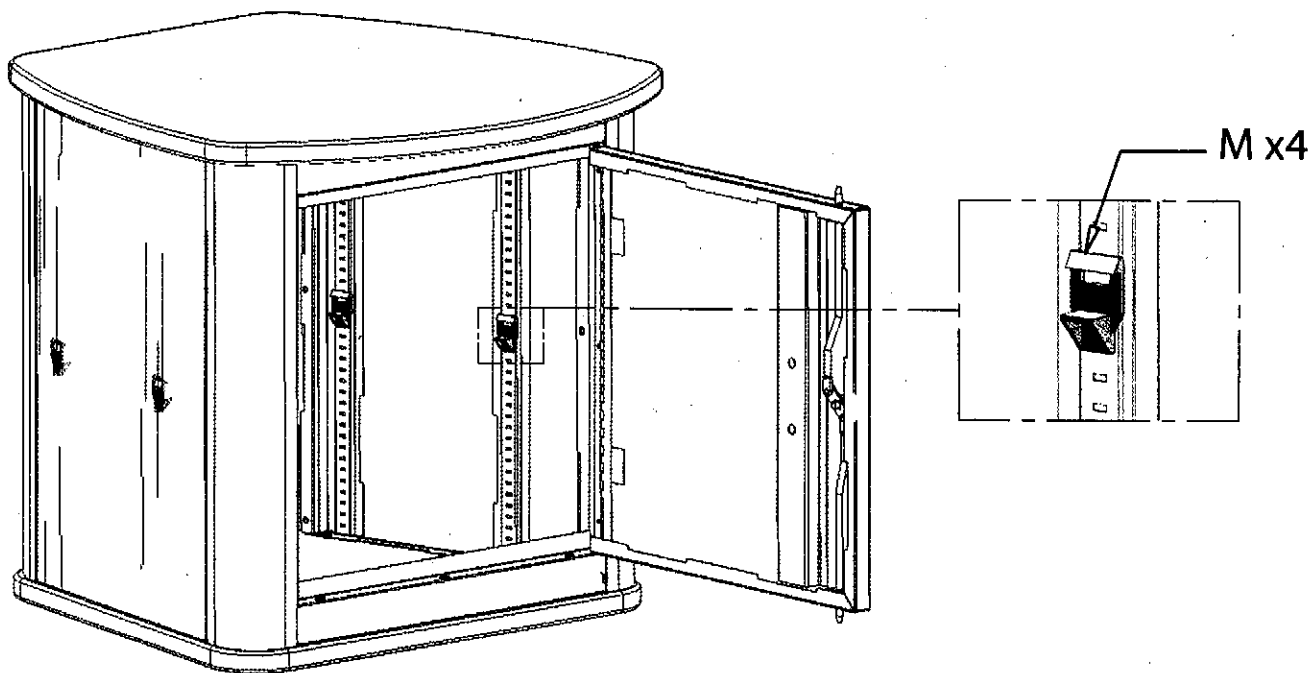
Step 3



Step 4

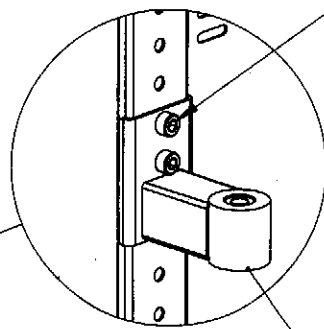
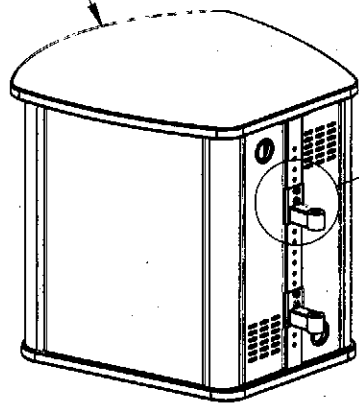


Step 5



Step 6

Cabinet



Q x4

G x2

Step 7

