

**1**

FRONT  
B  
F

Attach casters (F) to base (B).  
Note: Casters with brakes should be assembled on front.

**2**

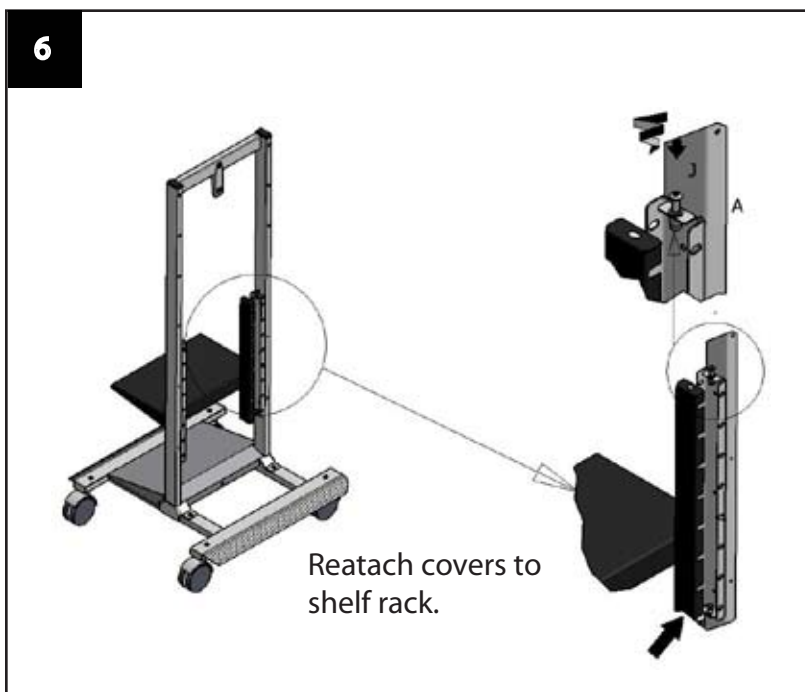
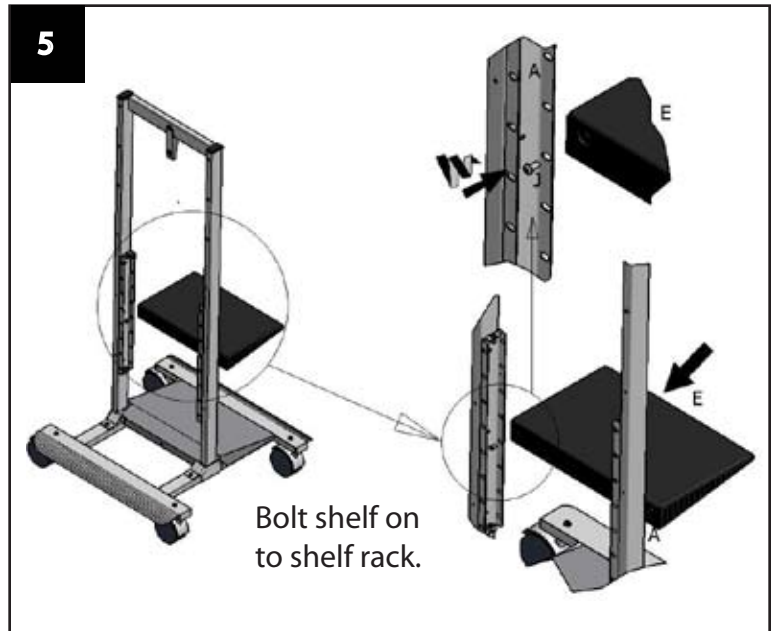
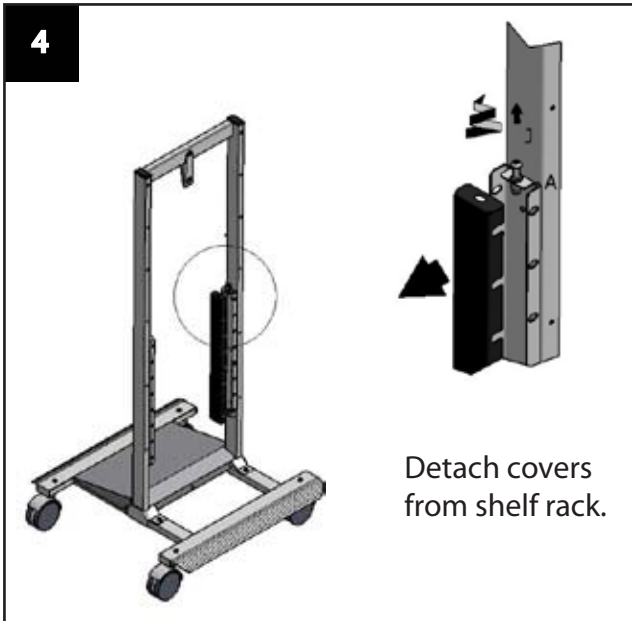
A  
B  
H  
L  
M  
N  
P

Attach base (B) to body (A).

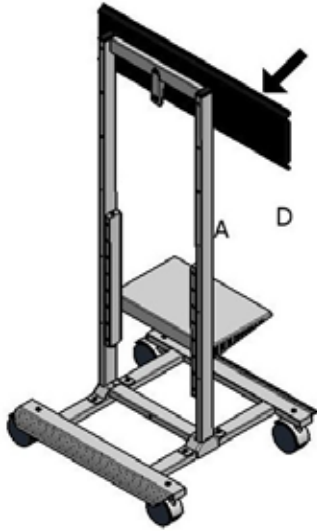
**3**

A  
B  
C  
J

Insert and attach panel (C) to body (A).



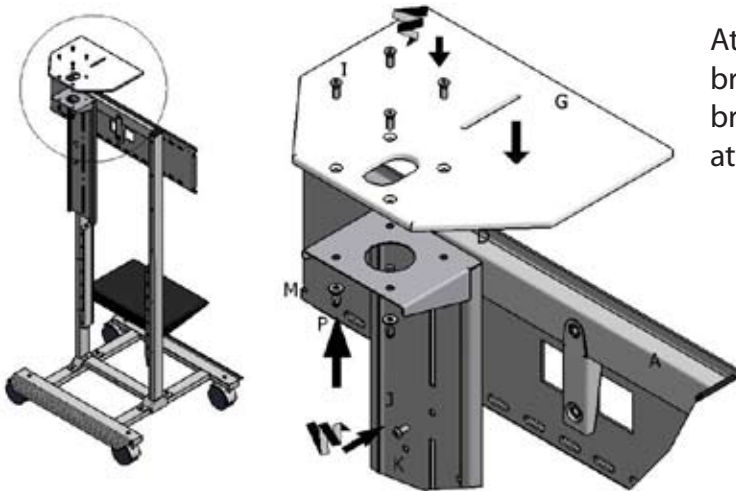
7



Attach screen support (D) to body (A).

NOTE: See instructions inside screen support box to mount flat screen on cart. Please secure the flat screen to the cart at desired height before moving on to step 8.

8



Attach acrylic (G) to bracket (K). Then attach bracket (K) to body (A) at desired height.