



**RPS 500**

Items Included

<b>A</b> Upright x2	<b>B</b> Support x2	<b>C</b> Union x2	<b>D</b> Screen mount x1	<b>E</b> Shelf x1
<b>F</b> With brake x2 Without brake x2	<b>G</b> Acrylic Platform x1	<b>H</b> Camera Support x1	<b>i</b> Lacing bars x2	
<b>J</b> Socket Flat Head x4	<b>K</b> 5/16" (x12)	<b>L</b> Socket Button Head 5/16" x 3/4" (x12)	<b>M</b> Socket M6 x 15mm (x4)	<b>N</b> blind nut 1/4" (x 4)
<b>O</b> Socket Button Head 1/4" x 3/4" (x6)	<b>P</b> 1/4" (x4)	<b>Q</b> 1/4" (x8)	<b>R</b> 1/4" (x4) cage nut	<b>S</b> Multi Wrench x1 1/4" Allen x 1 3/16" Allen x 1

**1**

**Multi Wrench**

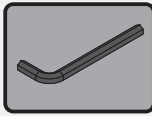
Attach casters (F) to body (A).  
Note: Casters with brakes should be assembled on front.

**2**

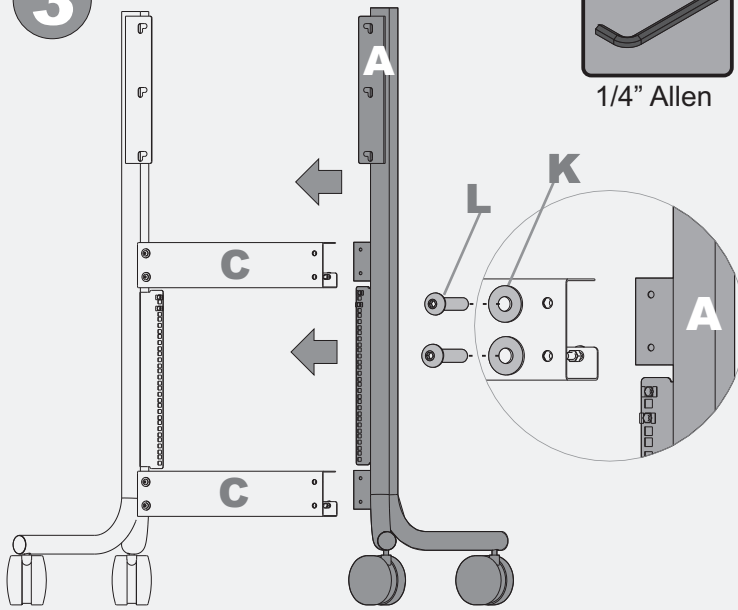
Slide horizontal braces (C) to each of the uprights (A)

**1/4" Allen**

3

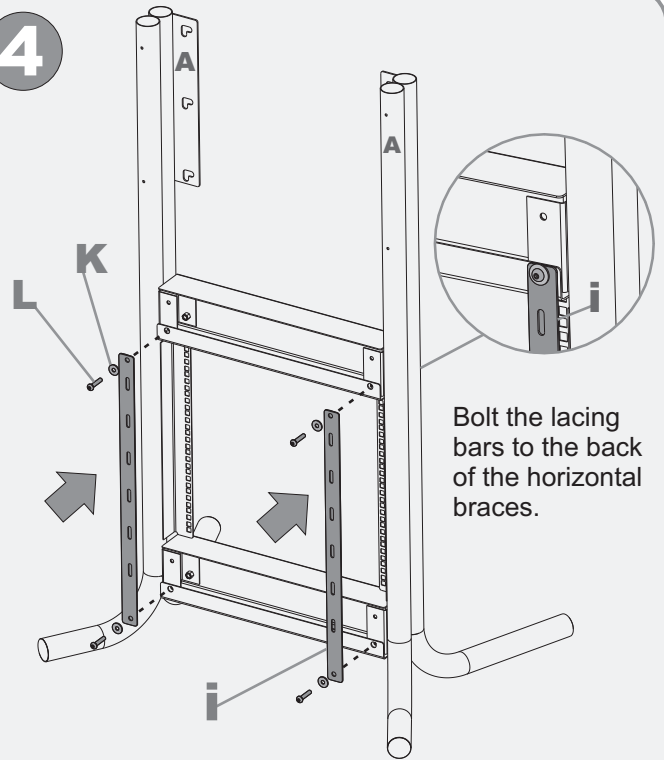


1/4" Allen



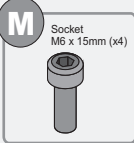
Attach the braces (C) to the uprights (A)

4

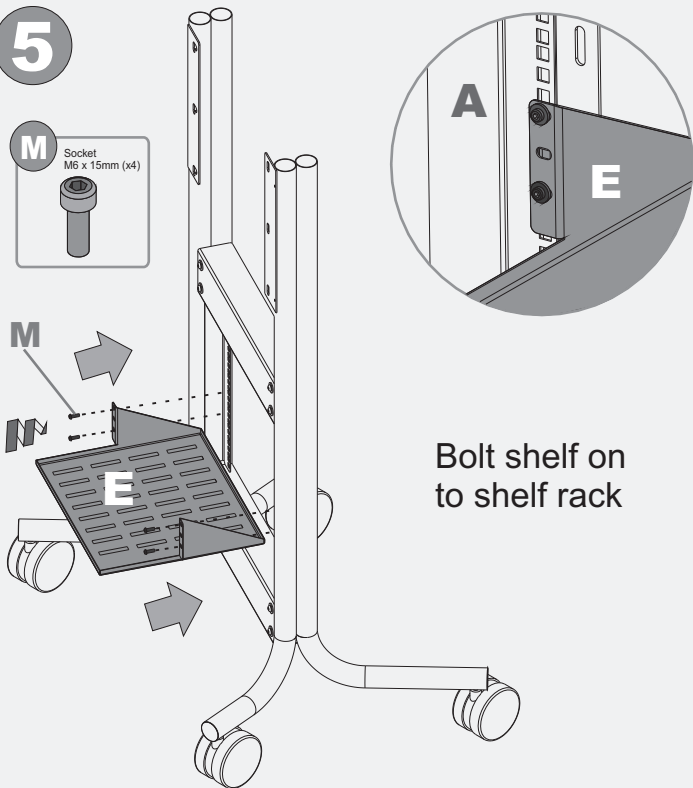


Bolt the lacing bars to the back of the horizontal braces.

5

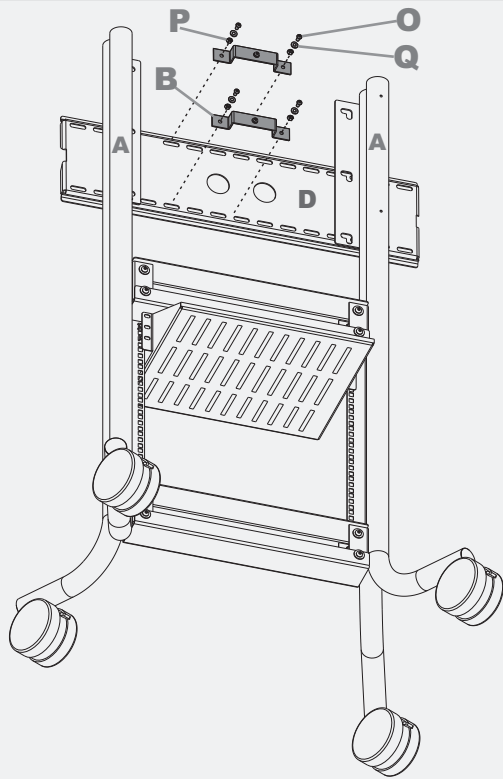


M



Bolt shelf on to shelf rack

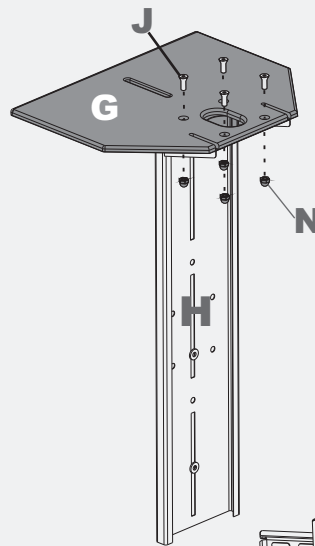
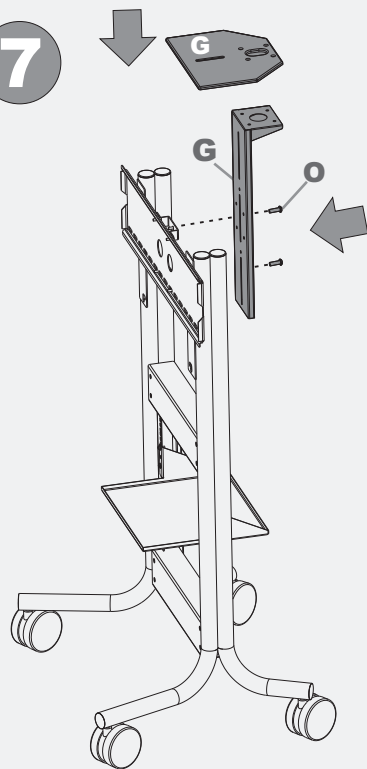
6



Attach screen support (D)  
to body (A)

NOTE: See instructions inside  
screen support box to mount  
flat screen on cart. please  
secure the flat screen to the  
cart at desired height before  
moving on to step 7

7



Attach acrylic (G) to  
bracket (H) then attach  
bracket (H) to body (A)  
at desired height.

