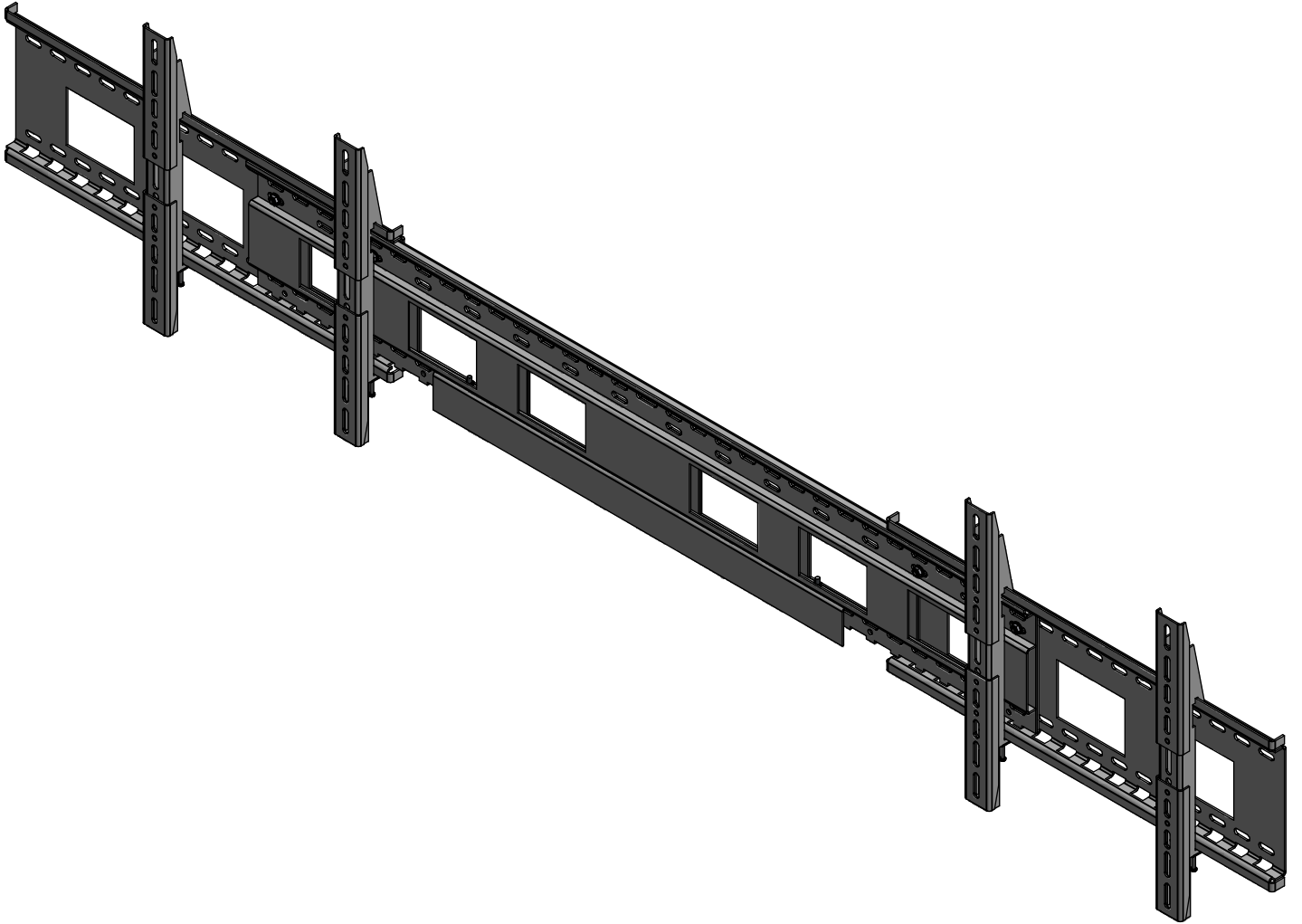


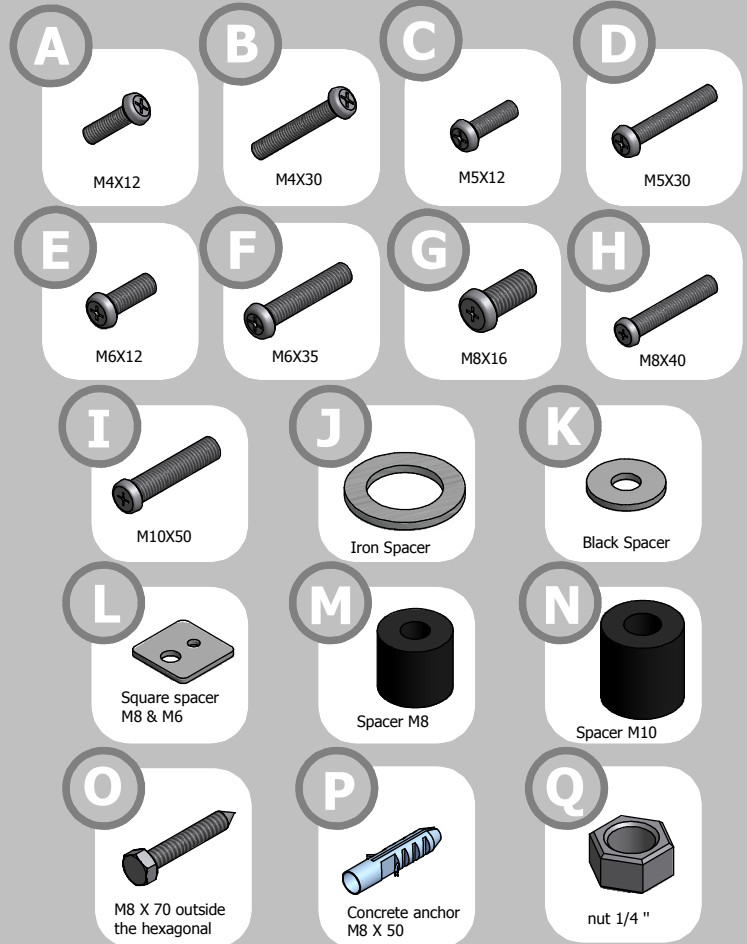
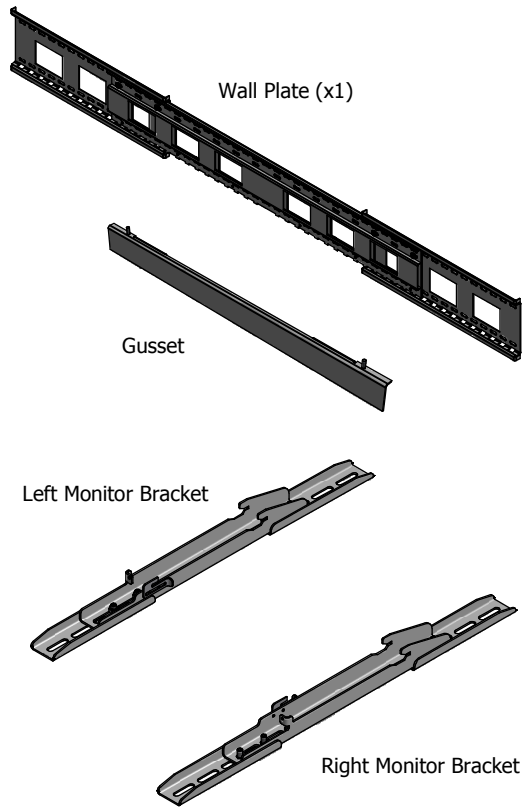
AVTEQ

Easy Setup Guide



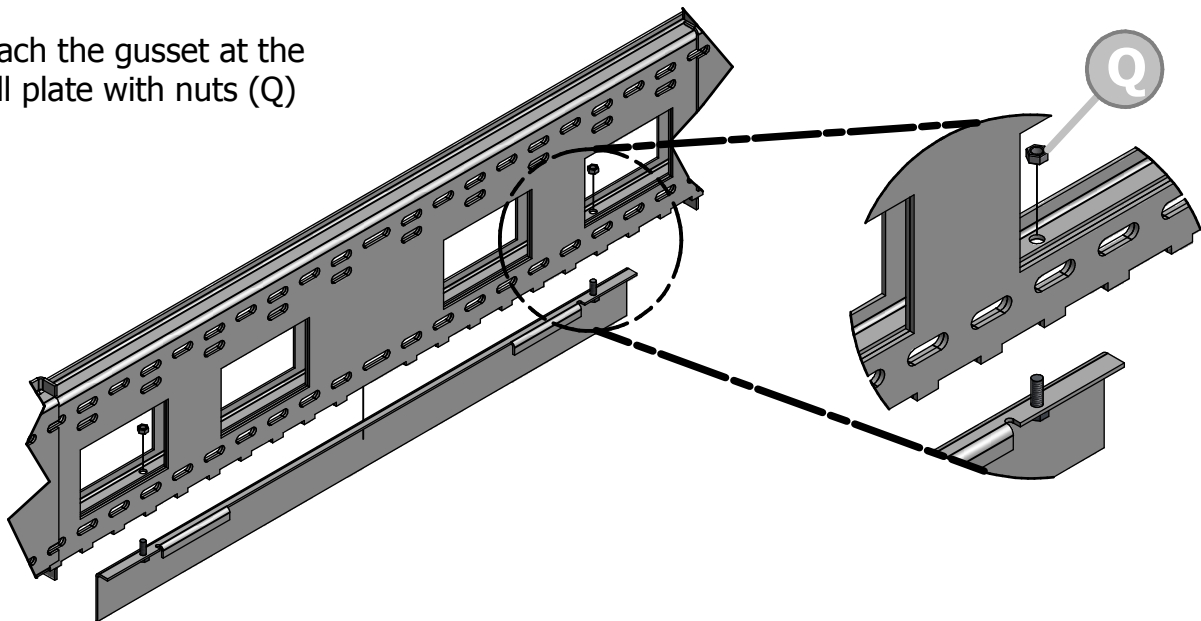
UM - 2

Items included



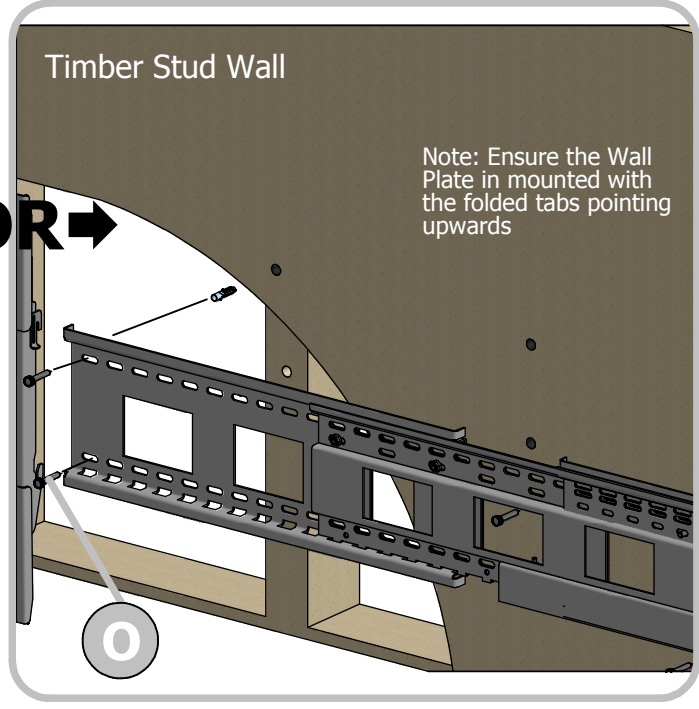
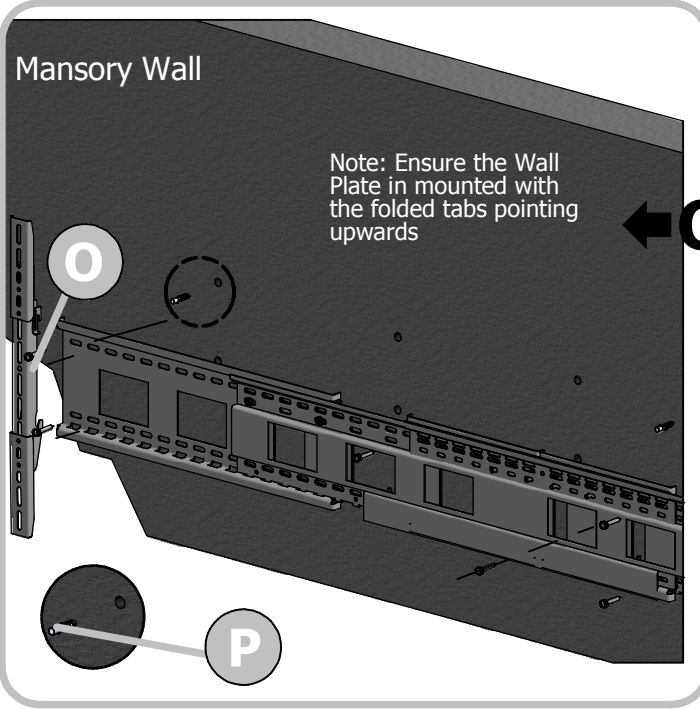
1 ATTACHING THE GUSSET IN THE WALL PLATE

Attach the gusset at the wall plate with nuts (Q)



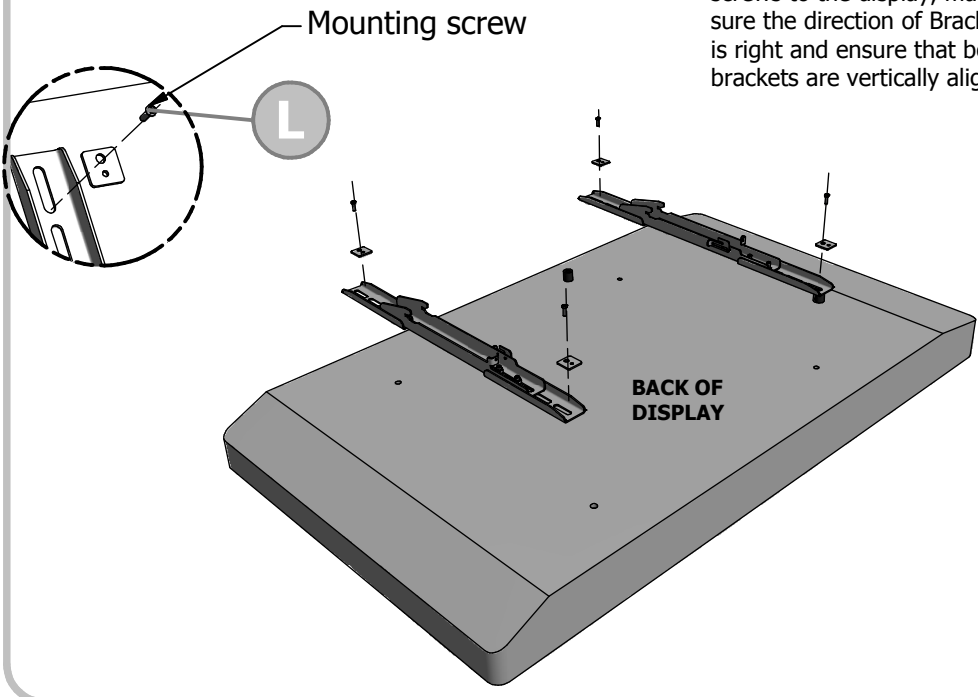
2 MOUNTING THE WALL PLATE

TIPS: Use a spirit level to ensure the Wall Plate is horizontal



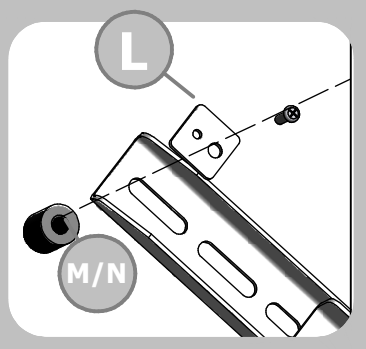
3 MOUNTING THE DISPLAY BRACKETS

NOTE: When attaching the mounting screws to the display, make sure the direction of Brackets is right and ensure that both brackets are vertically aligned



Recessed mounting holes.

If the mounting holes are recessed into the back of the display, use the supplied spacers to pack the recessed hole.

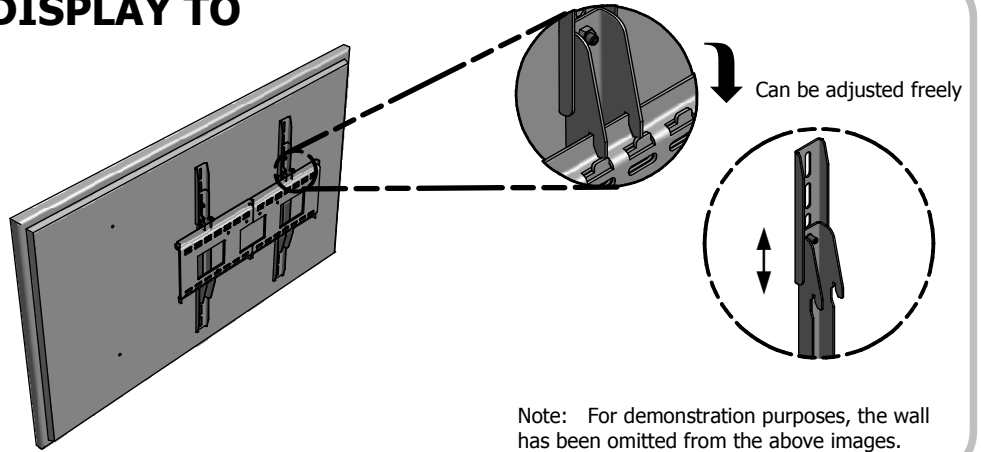


4

ATTACHING THE DISPLAY TO THE WALL PLATE

Note: This procedure will require two persons

With the Brackets attached to the display, lift the display and hook the brackets onto the Wall Plate as shown.



5

SECURITY OPTION

Note: For demonstration purposes, the wall has been omitted from the above Images.

