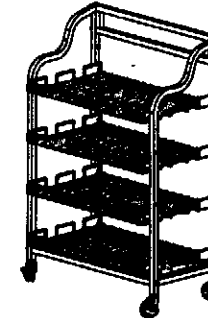
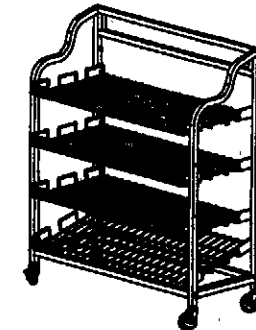


BAKCRT4N & BAKCRT4W Assembly Instructions

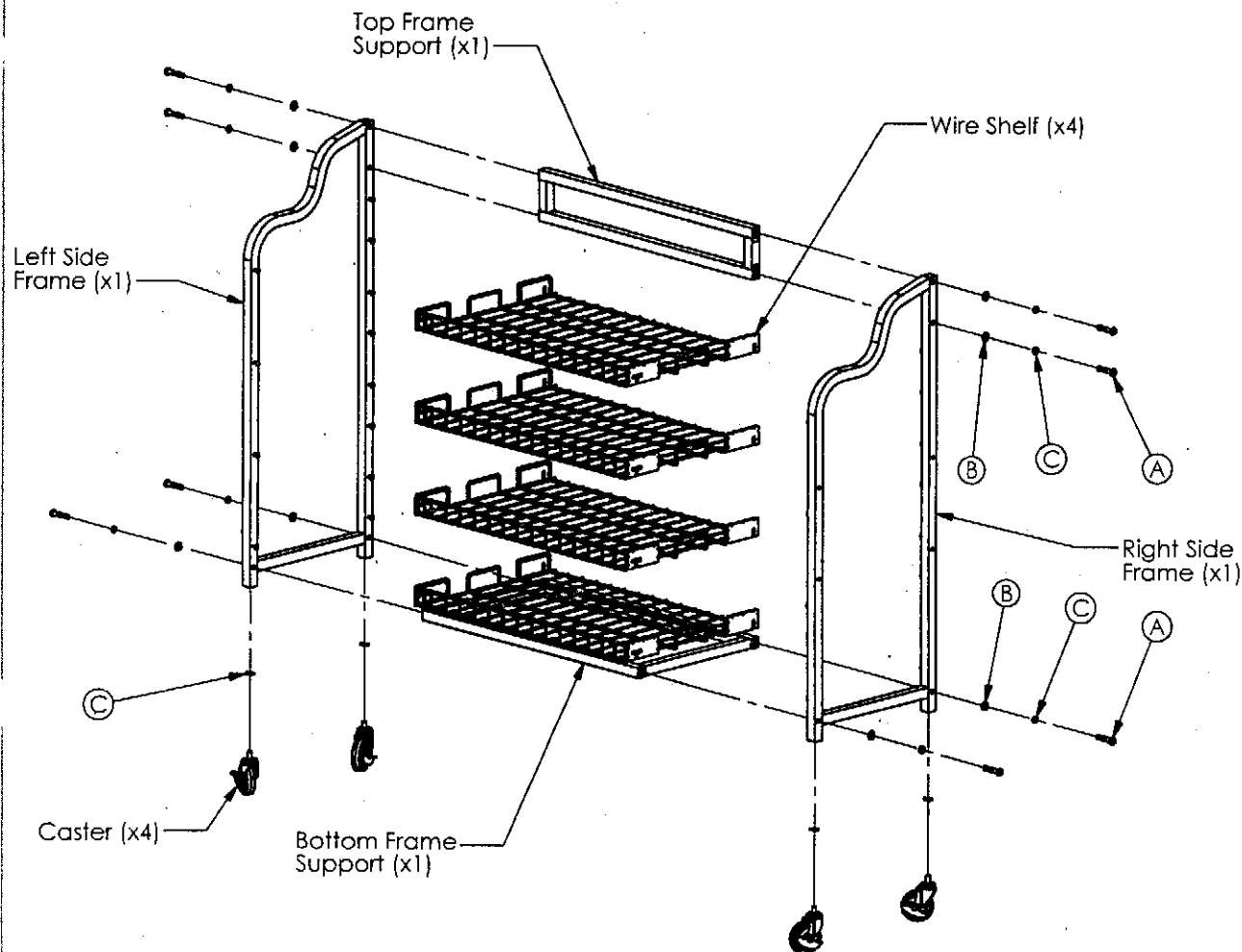
Each unit should be supplied with (1) Phillips screwdriver, (1) hex key, (1) Large & (1) Small Sign Holder, and the components and hardware listed on this sheet.



BAKCRT4N



BAKCRT4W



Hardware

A. M10 Socket Cap Bolt (x8)



B. M10 Flat Washer (x8)



C. Spring Lock Washer (x12)



D. Pan Head Tapping Screw (x2)
(for attaching sign holders)



E. M4 Flat Washer (x2)
(for attaching sign holders)

