

ASSEMBLY INSTRUCTIONS FOR BI-FOLDING EASELS (BFE6BK, BFE6OK, & BFE6RM)

Included with Easel:

- (5) dowel nuts
- (5) hex-head bolts
- (4) wooden pegs
- (1) hex key

1.) Begin by laying the upright (longer) section and the bottom (shorter) section of the easel on the floor. Fit the tongue of the upright section into the groove of the bottom section. **(Figure A)**

2.) With one side of the easel facing up, insert a dowel nut into each hole on the upper section, making sure that the slotted end of the dowel nut is facing up and aligned with the bolt hole on the bottom section. Now, insert the hex-head bolts into the bolt holes and screw into the dowel nuts. **(Figure B)**

3.) Flip easel over and repeat the procedure of Step 2 for the other side.

4.) Once both sides are connected, stand the easel upright and insert the pegs into the holes at the desired height, giving them a quarter turn as you insert them to make sure the pegs are firmly seated. **(Figure C)**

5.) Open the easel so that the base forms a 70 to 80 degree angle. Opening easel any further than this will decrease its stability.

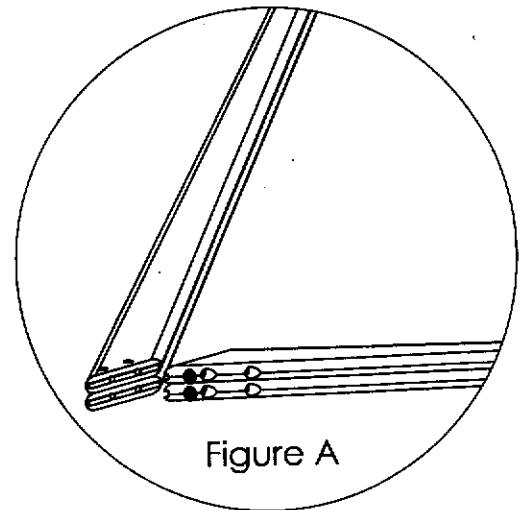


Figure A

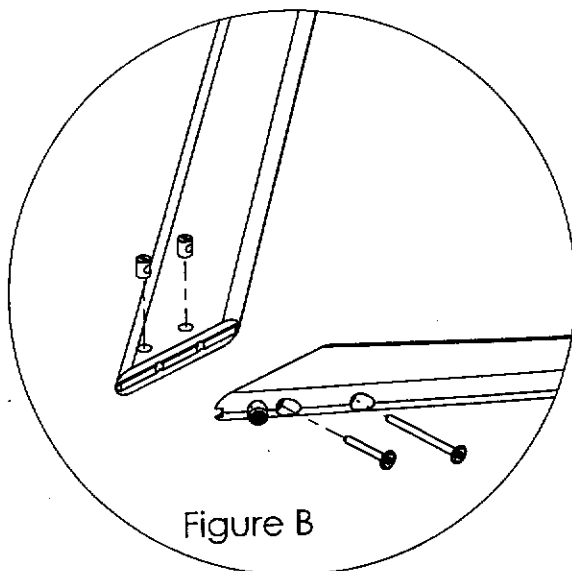


Figure B

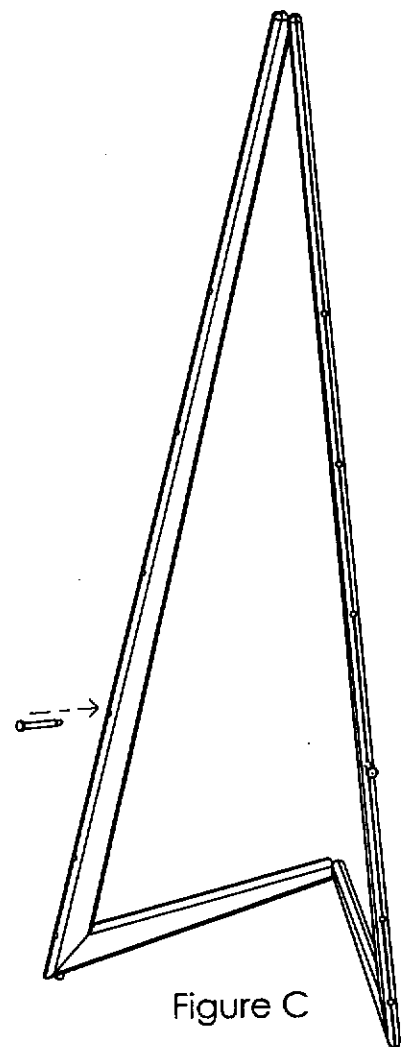


Figure C