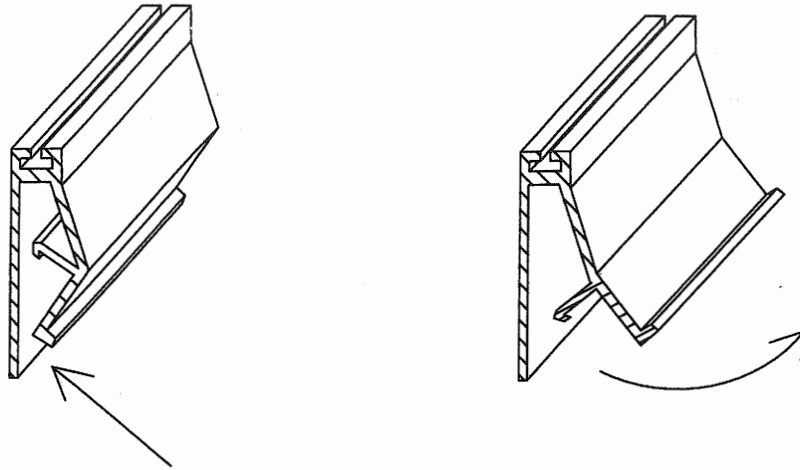
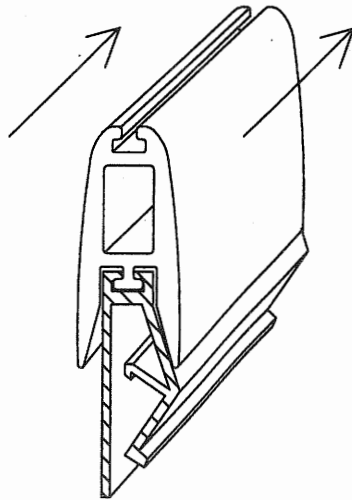


BRALUM INSTRUCTION SHEET



- 1. By following the image above, open the plastic banner rails to accept your printed media.**
- 2. Insert your poster or banner all the way in the banner rail and snap closed. This is easily done on a flat surface. Perform the same maneuver on the bottom rail.**



- 3. Slide the two aluminum rails onto the plastic banner rails. Take the two hanging clips and slide them into the top aluminum banner rail. They will feel loose but this is normal. Slide each clip left or right to space them out evenly depending on your hanging requirements.**