

Assembly Instructions

TWRT SERIES

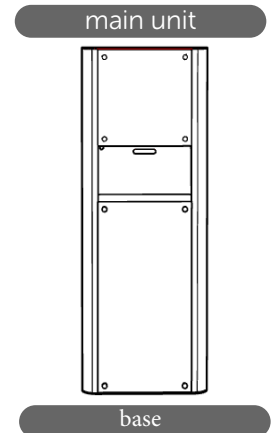
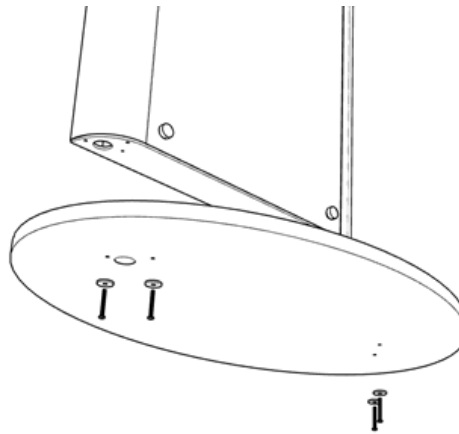
DISPLAYS2GO

NOTE: Blue film is to protect the surface of the acrylic from scratching.
After assembling the unit, peel off protective film attached to acrylic.

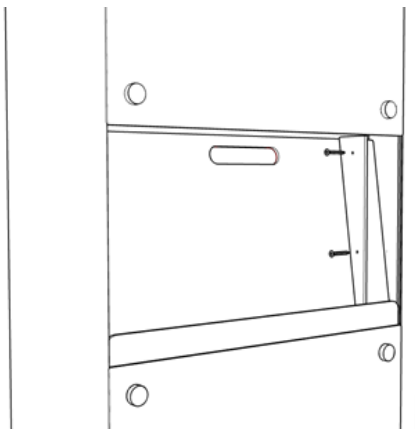
- 1 Attach base using provided bolts and washers. Run cord through base. To aid installation place main unit on elevated surface such as table.



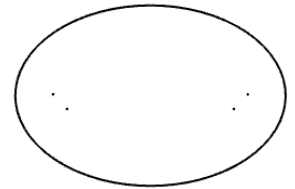
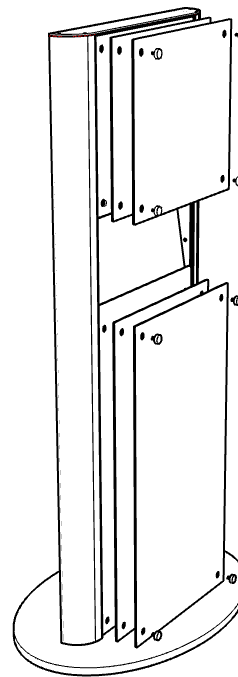
NOTE: 2 people are recommended for this step.



- 2 To access wires, remove both screws holding shelf bracket on each side, remove bracket. It may be necessary to loosen bottom acrylic panels.



- 3 Sandwich artwork between two acrylic panels by removing four standoffs.



bolts



x4

washers



x4