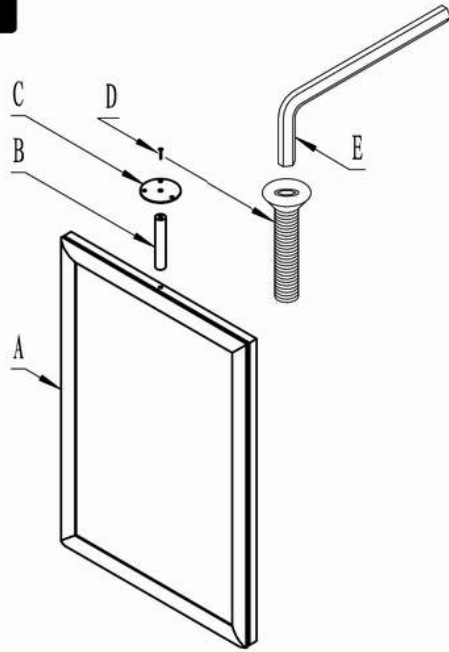
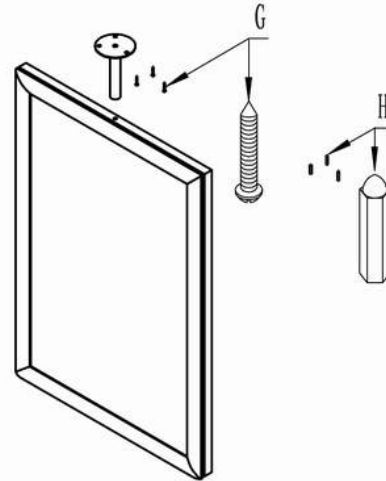
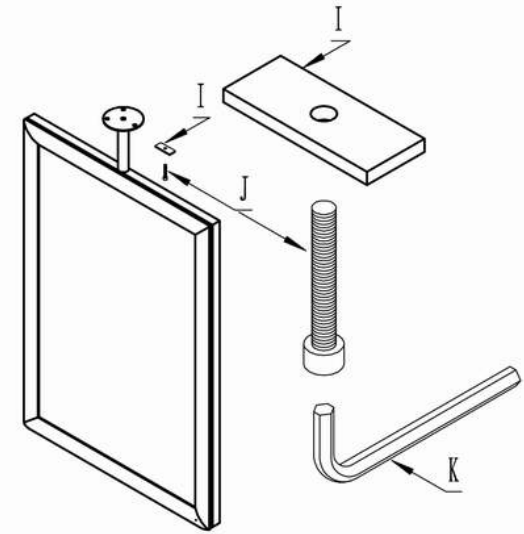


**1****2****3**

### Parts List

- A. (1) Snap frame
- B. (1) Riser
- C. (1) Ceiling mounted pate
- D. (1) M6x30 Socket headcap screw
- E. (1) S4 Allen wrench
- G. (3) 4x20 Pan head tapping screw
- H. (3) Plastic plug
  - I. (1) Metal pad
  - J. (1) M6x50 Hexagon screw
- K. (1) S5 Allen wrench

### Step

1. Using Allen wrench E to connect B and C by screw D.
2. Screwing C to the ceiling by G. If the ceiling is the concrete, using the H please.
3. Attach I to the back inner edge of the snap frame with hole aligned.  
Screw J with frame though hole on I and pre-drilled hole on the frame.