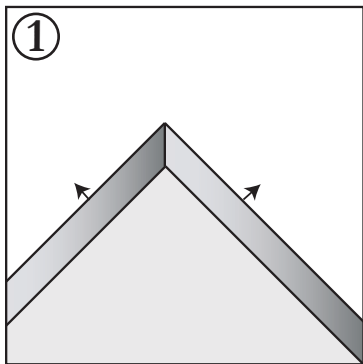


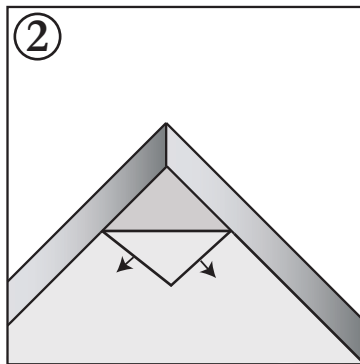
DISPLAYS2GO

CLRLEC228 & CLRLEC228B

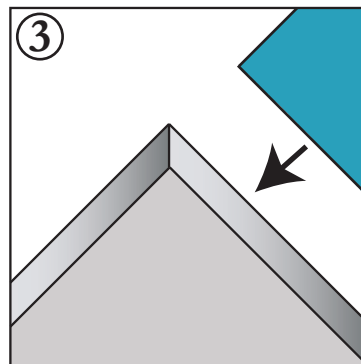
Poster Frame Installation



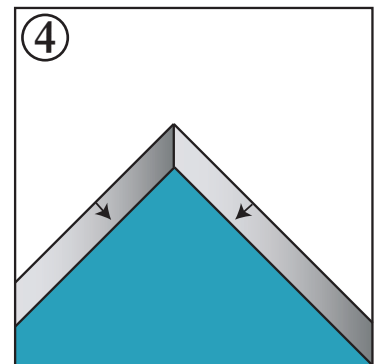
① Snap Open All Edges Upwards



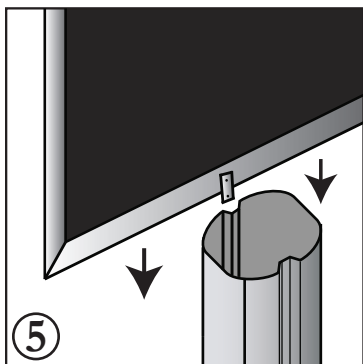
② Remove the Non-Glare Lens



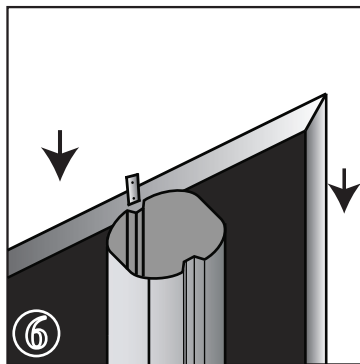
③ Place the Poster in the Frame



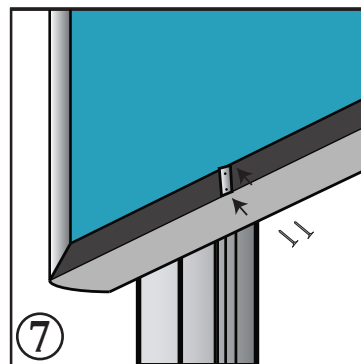
④ Place the Lens over Poster and Close Edges



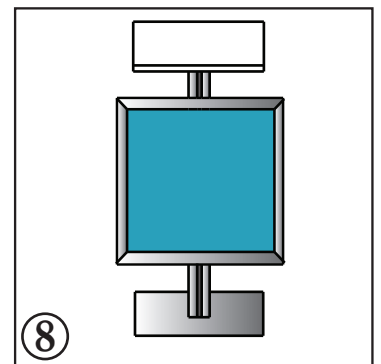
⑤ Slide the Bottom Track into the Pole Slot



⑥ Continue Until Both Tracks are in Place



⑦ Screw in Frame at Desired Height



⑧ Screw the Top Back in Place and Enjoy!