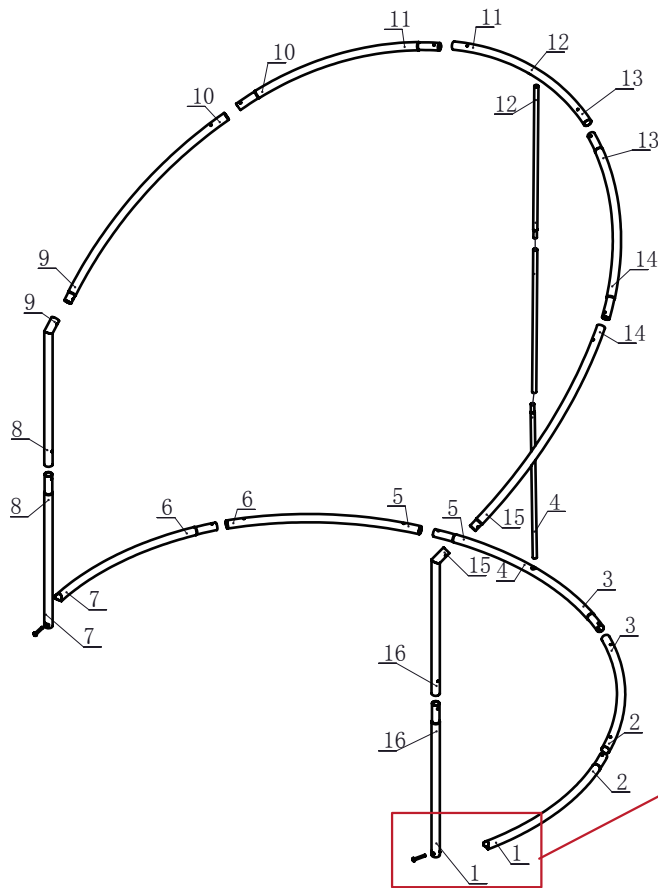
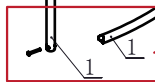
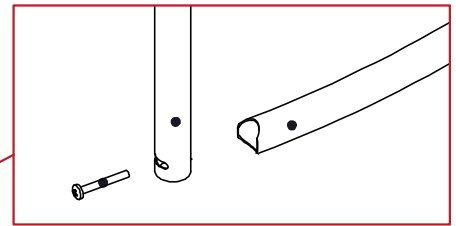


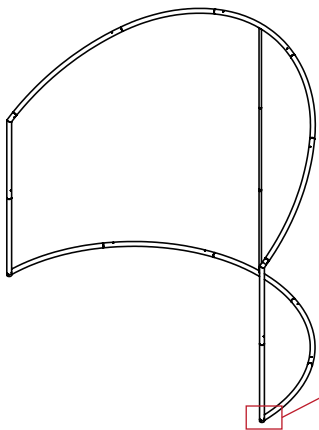
Shell Frame Tension Backwall



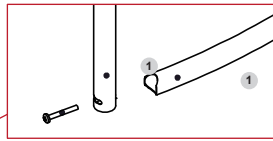
Label sketch for frame installation



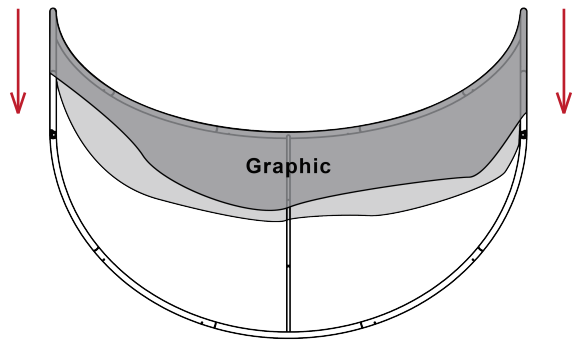
step 1:



Connect poles with same label, install the whole frame.

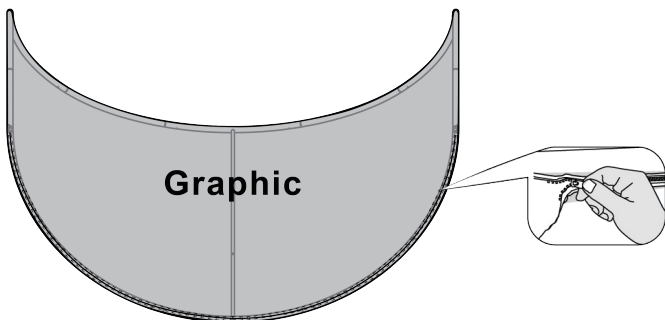


step 2:



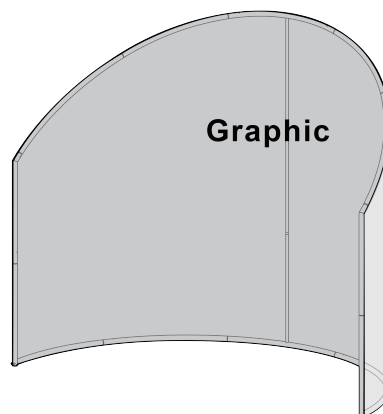
Put the finished frame on floor, set up graphic from top to bottom.

step 3:



After set up graphic, zip the zipper on the bottom.

step 4:



Let the frame stand. Finish installation.