

PROMXMN & PROMXMNGR Promotional Counters

Assembly Instructions

Remove the components from the included carrying bag. The kit should include the folded plastic frame, wooden countertop, two plastic shelves, two aluminum poles and plastic header.



Start by unfolding the plastic frame and positioning it so the sides are at 90 degree angles to the front. Make sure that metal shelf supports are placed on the inside and the small metal feet are at the bottom.



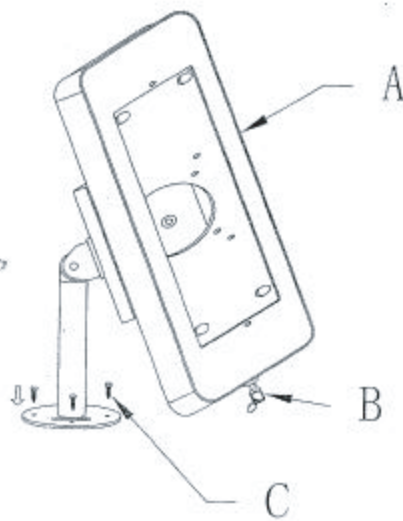
Next, attach the two shelves to the inside of the display. Hooks on the shelves connect to the support rails as shown above.



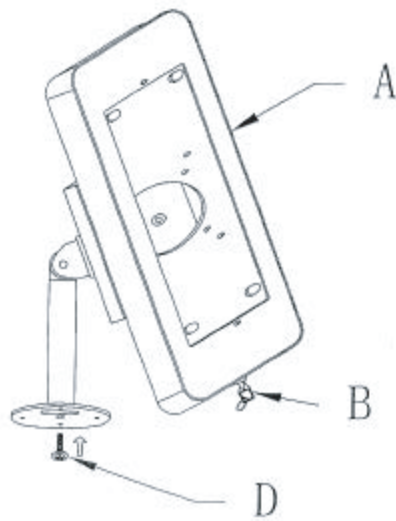
IPAD-03

Mounting Options

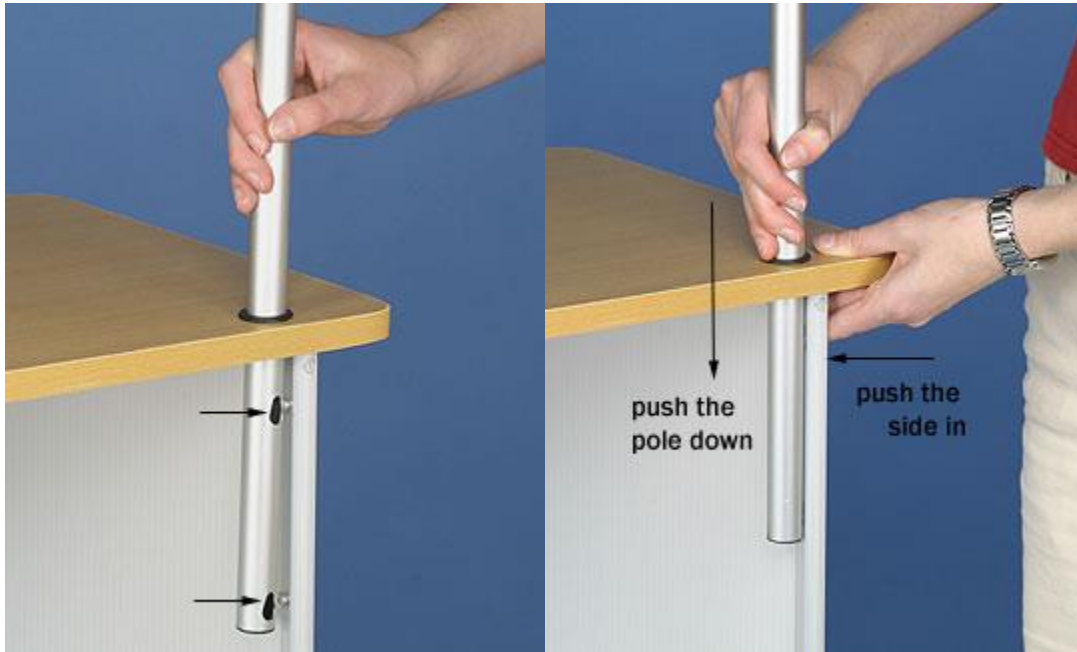
①



②



After the shelves are installed, rest the wooden countertop on top of the plastic frame. There are holes in the countertop to accommodate the two included poles. These poles connect the countertop to the frame and hold the header. See pictures below on how to connect the poles to the plastic frame.



Insert each pole into the two holes in the countertop. Be sure that the Velcro® patches on the poles face front to hold the header. Line up the holes in the poles with the screws in the plastic frame. See picture left. Insert the screws into the holes, and then push down on the poles to latch them firmly in place. You may also need to push in on the plastic sides to make sure these pieces are properly connected. Once they are, your countertop will be securely attached to the frame.



Attach the Velcro® header to the tops of the poles.



These instructions apply to promotional counters with and without vinyl graphics.
(Vinyl graphics come pre-installed onto the PROMXMNGR counter.)