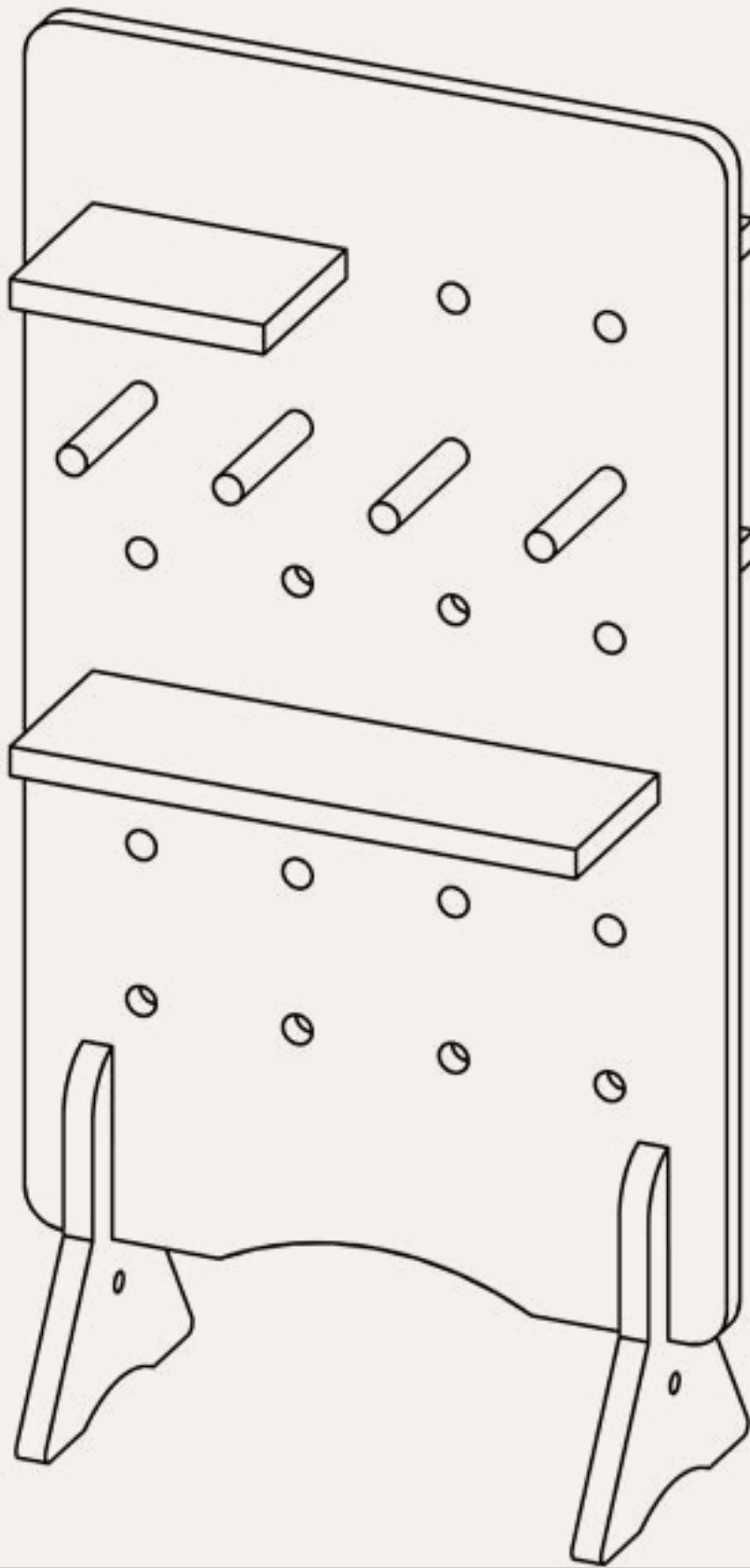


The Dowel Collection



SKU: DBMPBSM
DBMPBSMCP

SMALL MODULAR PEG BOARD USER GUIDE

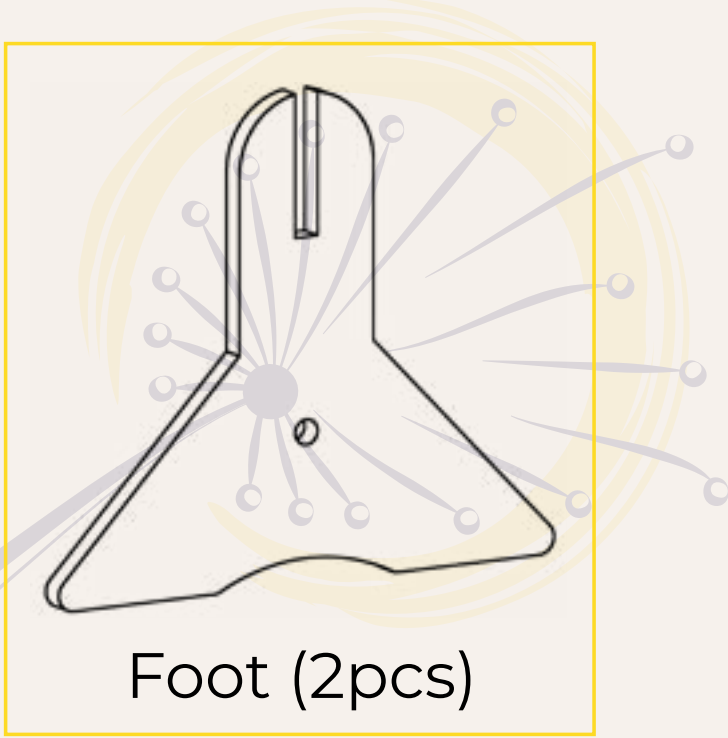
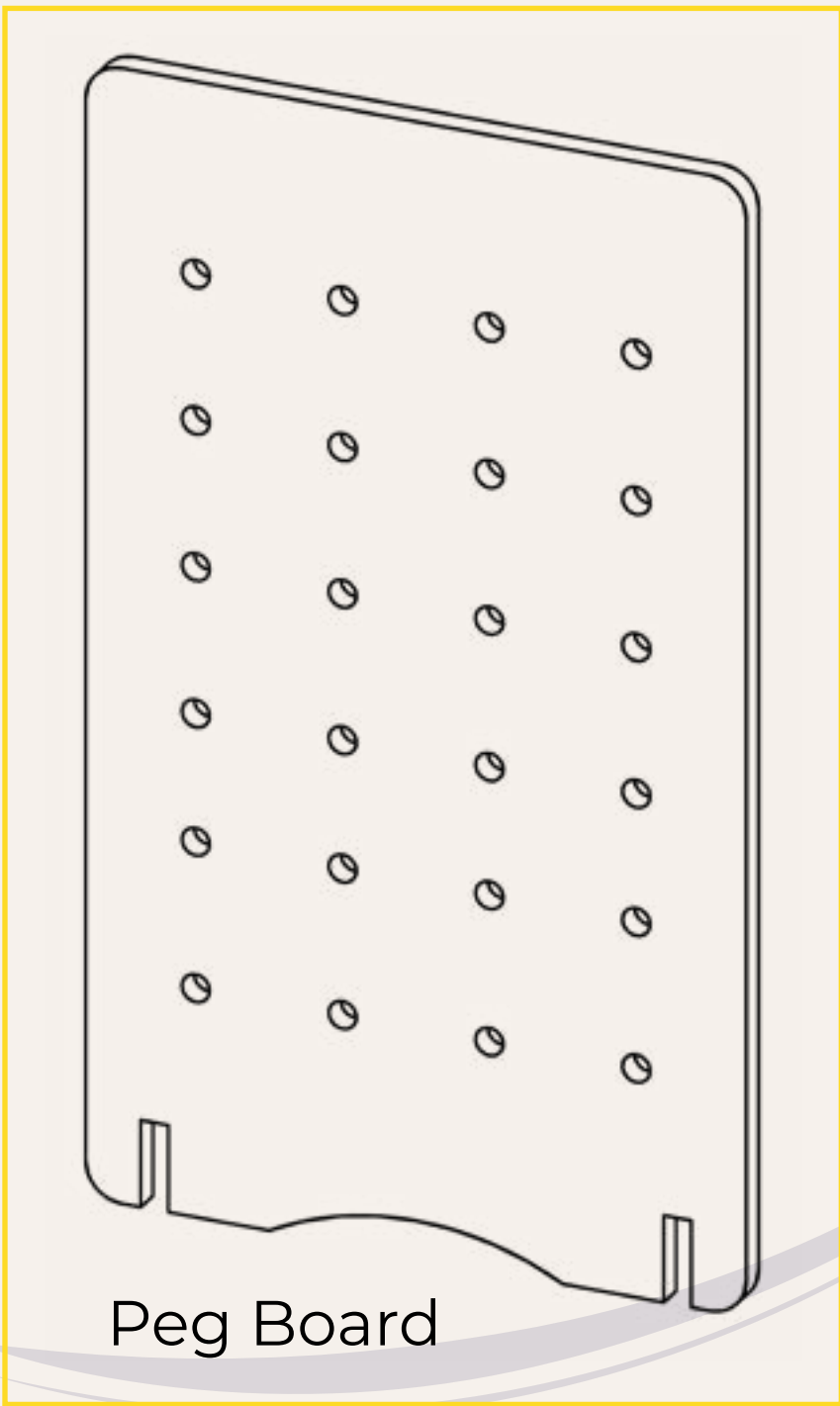
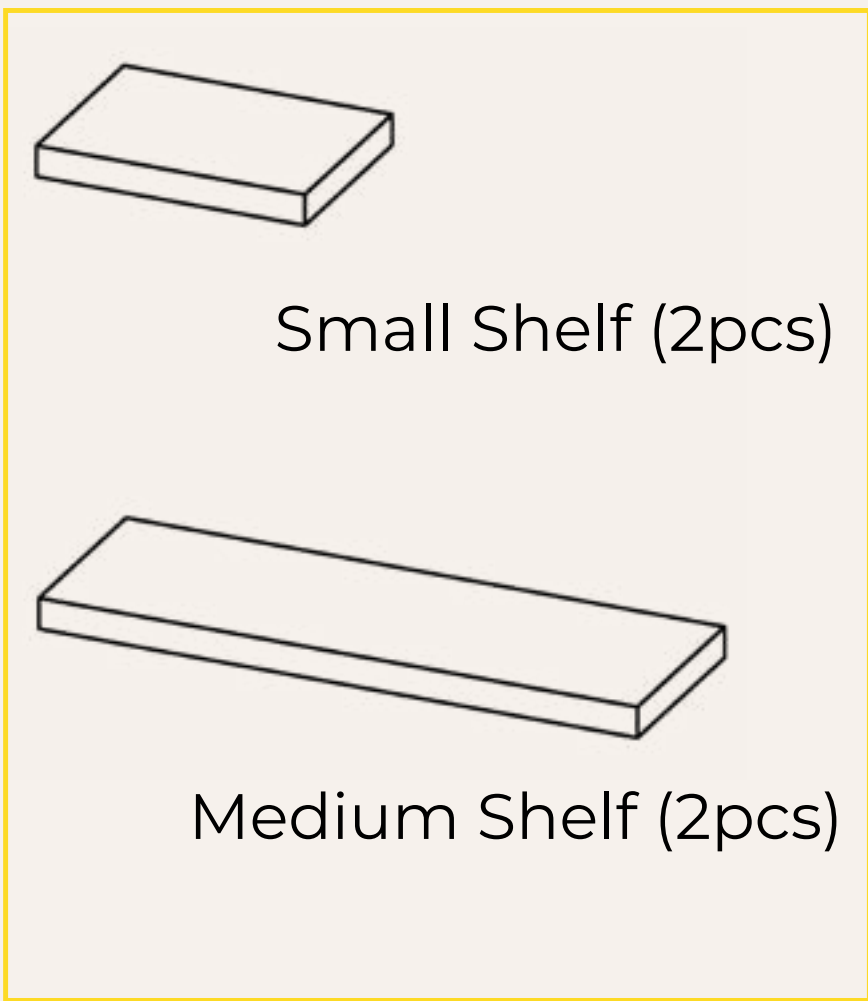
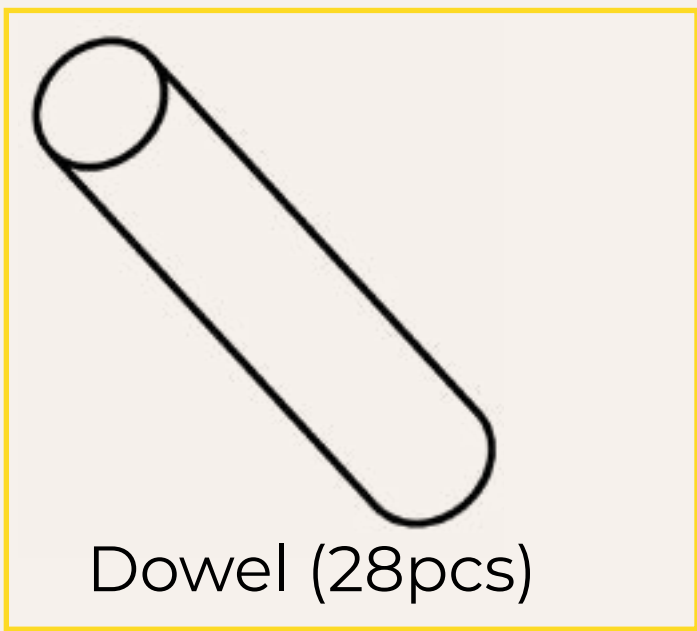
DANDELION

RESPONSIBLY CREATING BETTER PRODUCTS FOR A BETTER WORLD

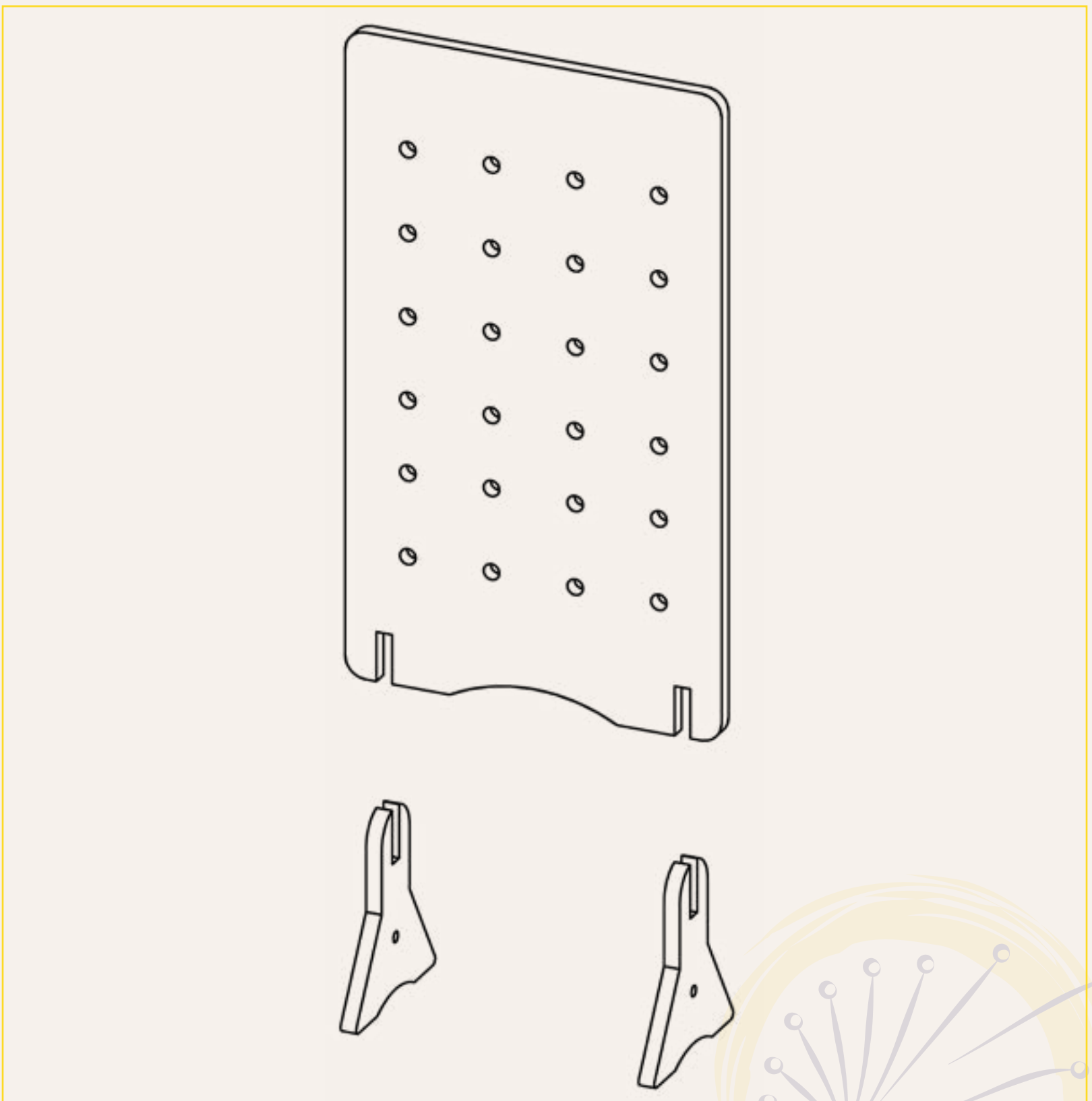


Table of Contents

USER GUIDE

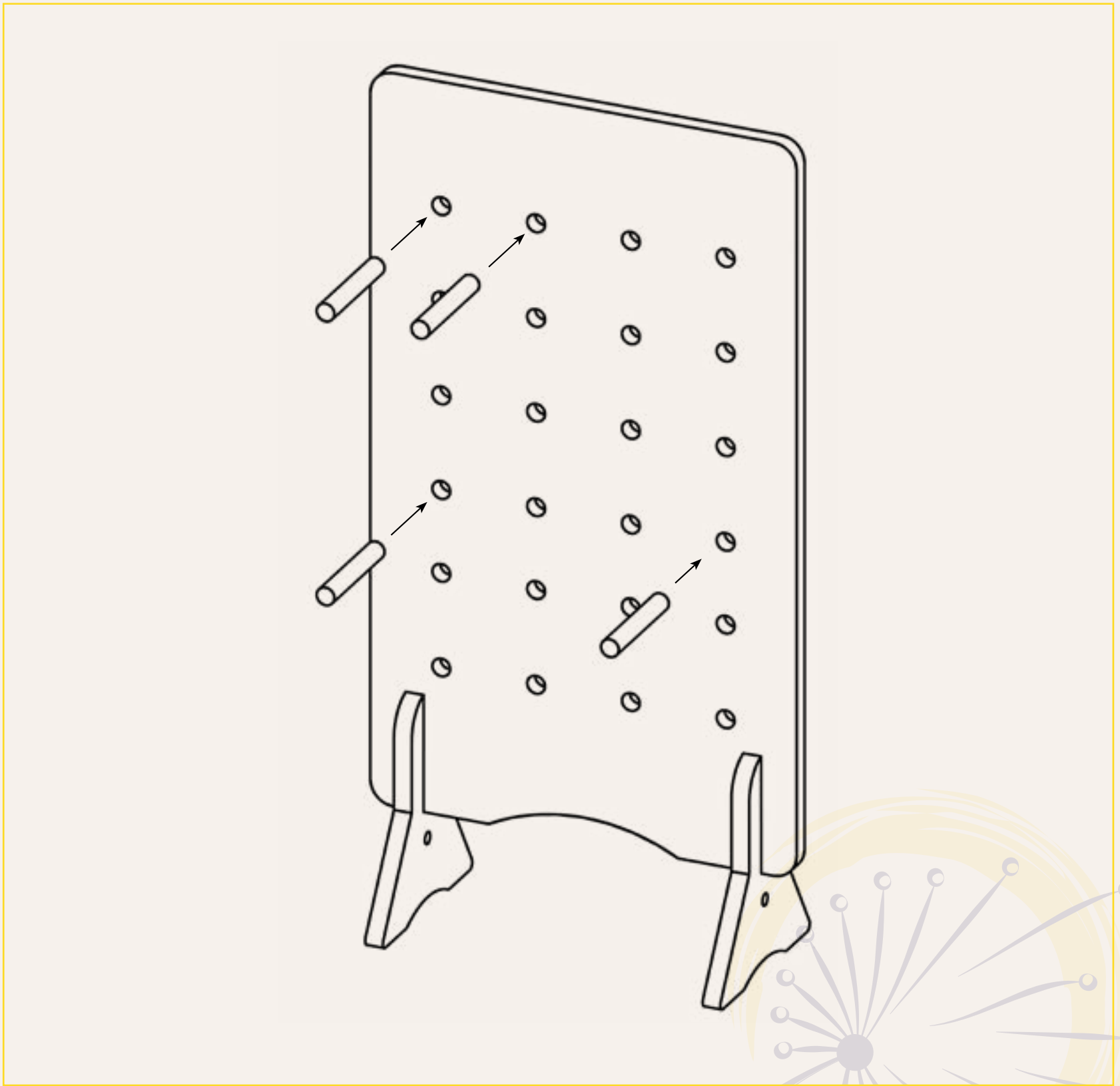


PARTS DIAGRAM



1. Attach two feet to the peg board by fitting slots together.

ASSEMBLY INSTRUCTIONS



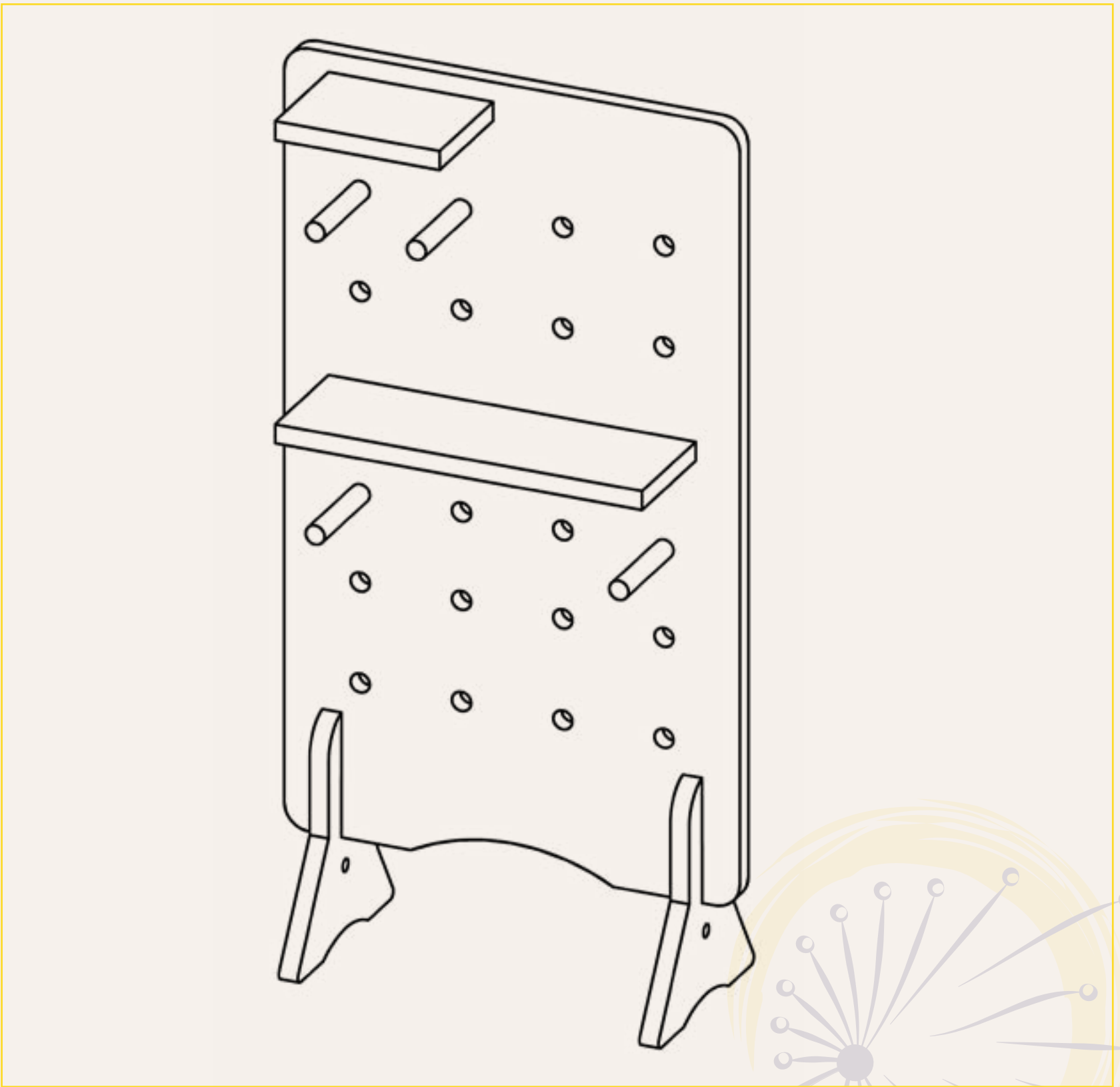
2. Insert dowels in at desired locations.

ASSEMBLY INSTRUCTIONS



3. Place shelves on top of dowels and press down to secure them.

ASSEMBLY INSTRUCTIONS



4. Place remaining pegs and shelves at desired locations to create your own style.

ASSEMBLY INSTRUCTIONS

THANK YOU FOR SPREADING
THE SEEDS OF SUSTAINABILITY
AND HELPING TO PROTECT
OUR PLANET.



HAVE A QUESTION? GET IN TOUCH WITH
OUR DANDELION REPRESENTATIVES AT:
888-257-6639

CONTACT US