

Wood Suggestion Box Wall-Mounting Instructions

- 1) Attach wood mounting block to the pre-drilled holes on the back of the box with the (4) screws provided (Figure 1).
- 2) Cut out the template at the bottom of this instruction page.
- 3) Locate the position on the wall where the unit will be mounted. It is recommended to secure the unit to a wood stud in the wall. **Note: If you are not securing to a wood stud, it is recommended to use the wall anchors for the wall you are mounting the unit to.**
- 4) Tape the template on the wall.
- 5) Drill 1/8-inch holes through the two locator marks on the template.
- 6) Screw the (2) provided screws into the holes. Leave approximately an 1/8-inch gap between the wall and bottom of the head of the screw.
- 7) Mount box on the wall.

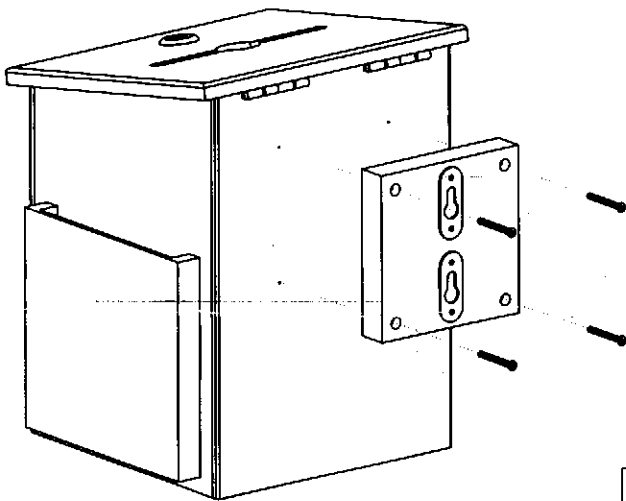


Figure 1

