

# ASSEMBLY INSTRUCTIONS

## Round Display Unit- DCRDUVPRNT

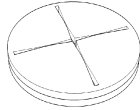
Open all boxes first and layout all parts on a level and sturdy floor. Reference parts list to verify that all parts and hardware are present.

Before you begin, read instructions thoroughly prior to assembly. 2 people are required for the installation.

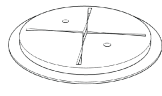
### PARTS LIST



Center Panel X1



Top Cap X1



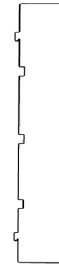
Base X1



DCRDTOP X1



3 Hook Panel X1

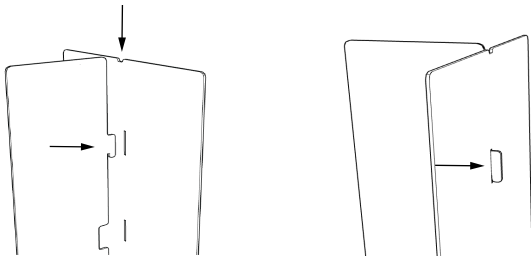
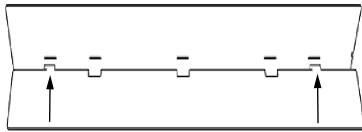


2 Hook Panel X1

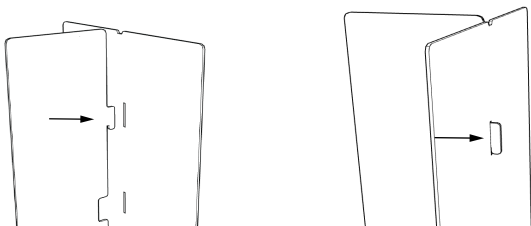
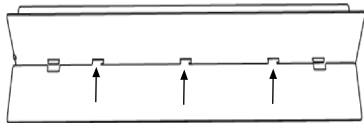


DCRDUVPRNT X1

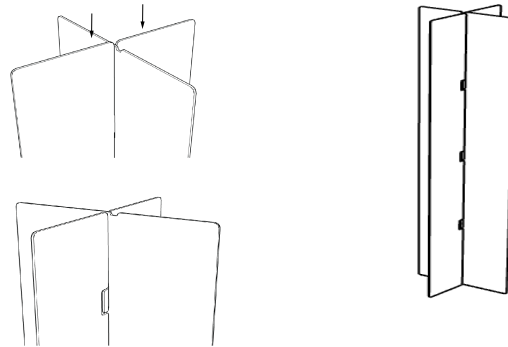
1. Take the 2 hook side panel and insert into center panel as shown in images below. Make sure LED light indent is on top.



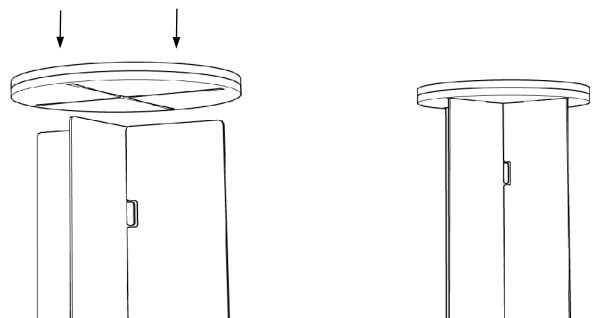
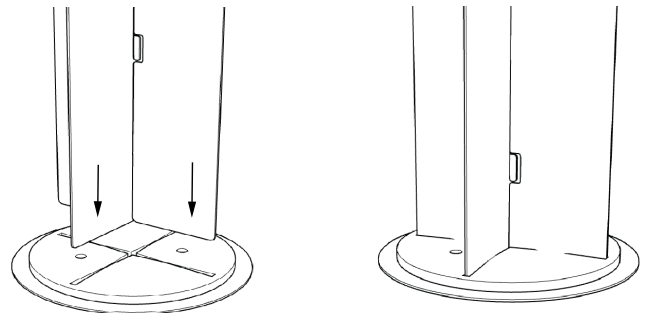
2. Take 3 hook side panel and repeat step one.



3. Slide both side panels down so hooks lock into place.



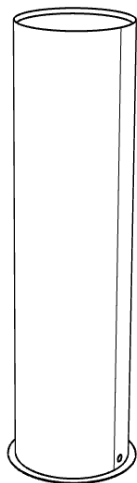
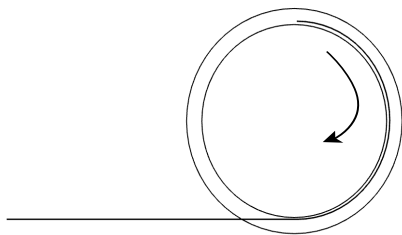
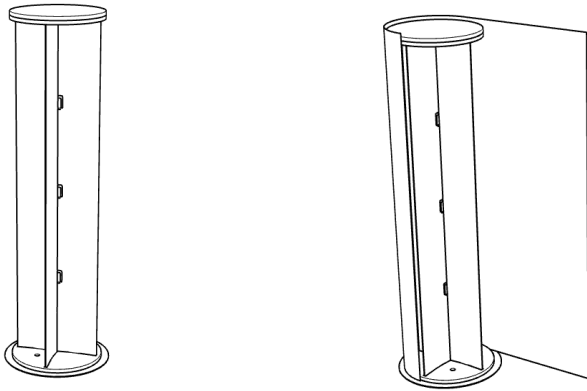
4. Pick the assembled acrylic X by the center panel and insert into base as shown in the top two images below. Next take the top cap and insert on to top, as shown in the two lower images.



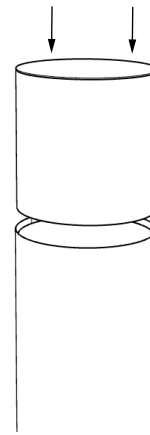
# ASSEMBLY INSTRUCTIONS

## Round Display Unit- DCRDUVPRNT

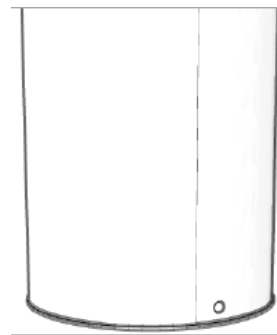
5. Take Velcro side of DCRDUVPRNT and wrap around the assembled center piece attaching it to the Velcro on the outside of the base and top cap. See the images below.



6. Take DCRDTOP and place inside lip formed by DCRDUVPRNT.



7. Run power cord through hole in artwork.



8. Completely Assembled Unit

