

Acrylic Wall Exhibit Case Assembly Instructions

Parts:

1. Acrylic Case
2. Backboard

Figure 1

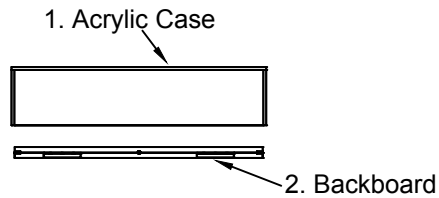


Figure 2

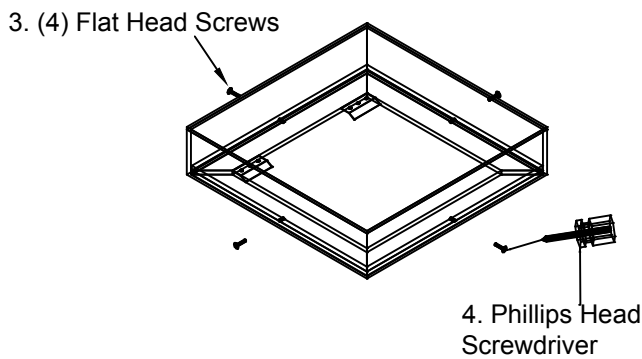
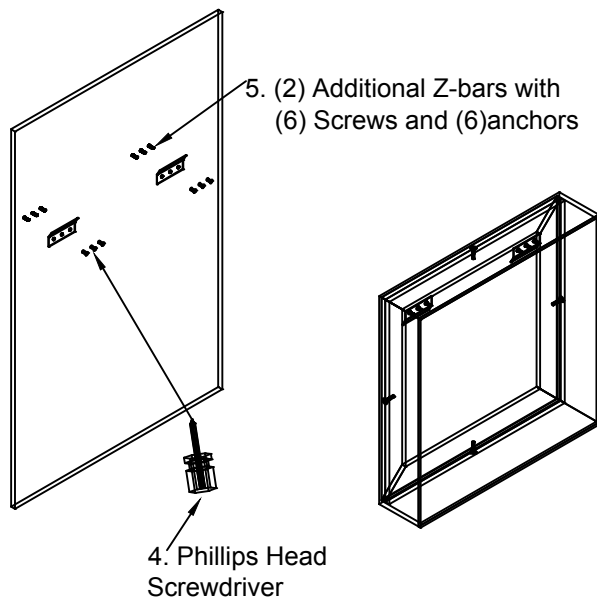


Figure 3



Hardware

3. (4) Flat Head Screws
4. Phillips Head Screwdriver
5. (2) Additional Z-bars with
(6) Screws and (6)anchors

Attach the Acrylic Case to the Backboard

1. Position the Backboard on a clean flat surface.

2. Attach the display item onto the Backboard.

3. Place the acrylic case onto the backboard. Align the pre-drilled holes in the Backboard with the threaded inserts in the Acrylic Case.

4. Using the provided screwdriver, attach the backboard to the acrylic case with (4) Flat Head Screws as illustrated in Figure 2. (Acrylic Case screws onto Backboard from all four sides: left, right, top and bottom).

Attach Z-Bars to the wall

1. Mark 3 drilling locations through holes in each Z-bar provided. Ensure Z-bar is level on the wall using an spirit level. Drill hole in wall at each marked location.

2. Insert anchor into each drilled hole. Use hammer if necessary.

3. Attach Z-bar onto the wall and align holes in each Z-bar with anchor holes. Securely mount Z-bar to wall using (6) screws supplied.

4. Lift the Exhibit Case above mounted

Z-bars. Push the Case to wall and slowly lower it onto the brackets.

Assembly is finished.