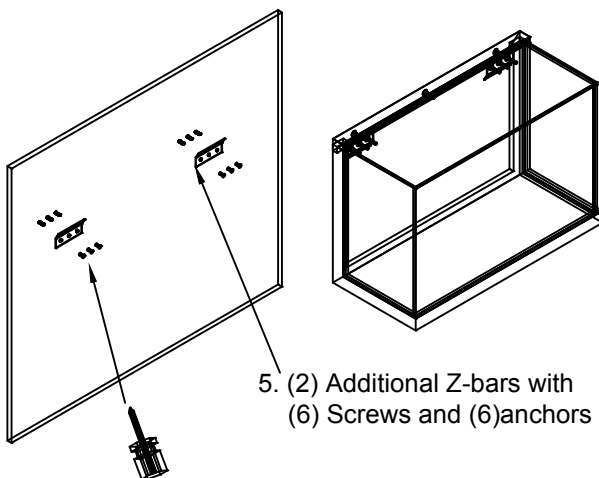
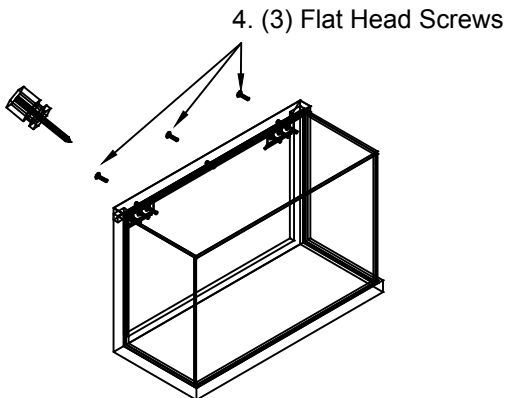
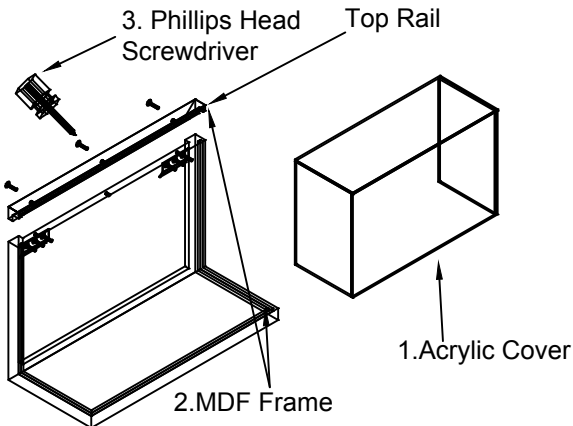


## Wall Mount Exhibit Case Assembly Instructions

### Parts:

- 1.Acrylic Cover
- 2.MDF Frame



### Hardware

3. Phillips Head Screwdriver
4. (3) Flat Head Screws
5. (2) Additional Z-bars with (6) Screws and (6)anchors

1. Remove 3 screws at the top rail, Taking out the top rail from the frame.
2. Carefully place the display item into the frame (Display item not included)
3. Place the acrylic cover into the grooves of the frame
4. Replace the top rail with 3 screws and tighten the screws.

### Attach Z-Bars to the wall

1. Mark 3 drilling locations through holes in each Z-bar provided. Ensure Z-bar is level on the wall using a spirit level. Drill hole in wall at each marked location.
2. Insert anchor into each drilled hole. Use hammer if necessary.
3. Attach Z-bar onto the wall and align holes in each Z-bar with anchor holes. Securely mount Z-bar to wall using (6) screws supplied.
4. Lift the Wall Mount Exhibit Case above mounted Z-bars. Push the Case to wall and slowly lower it onto the brackets.

Assembly is finished.