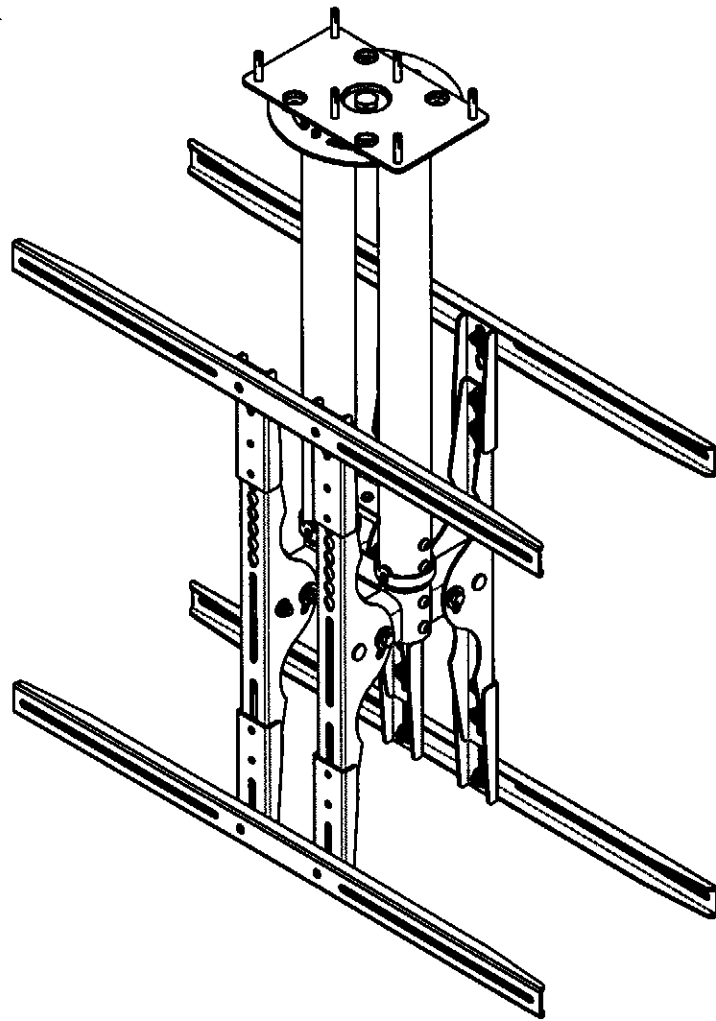
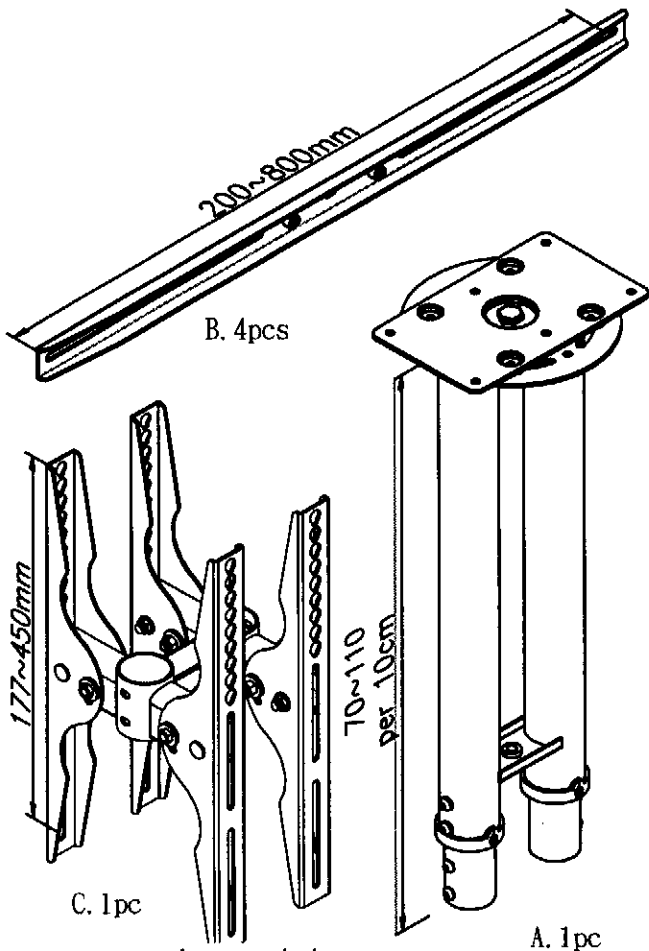


Max Load: 50 Kgs/each



Part List:



D. 4pcs

E. 1/4" x 2" 6pcs

F. M8x16 8pcs

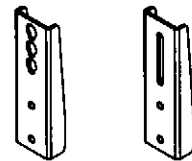
G. M8 4pcs

H. 1pcs

I. 2pcs

J.
 M4x16 16pcs
 M4x25 16pcs
 M5x16 16pcs
 M5x25 16pcs

K. Washers
 M5 16pcs



M. 4pc/each

N. 3/8" 16pcs

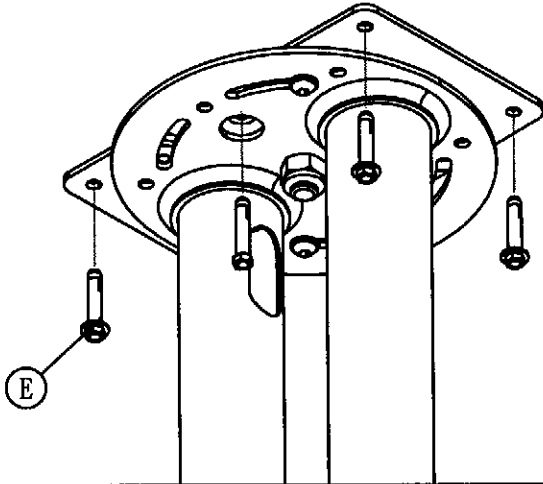
O. M8 16pcs

P. M8x10 16pcs

M6x20 12pcs
 M6x40 12pcs
 M6x55 12pcs
 M8x20 12pcs
 M8x40 12pcs
 M8x55 12pcs

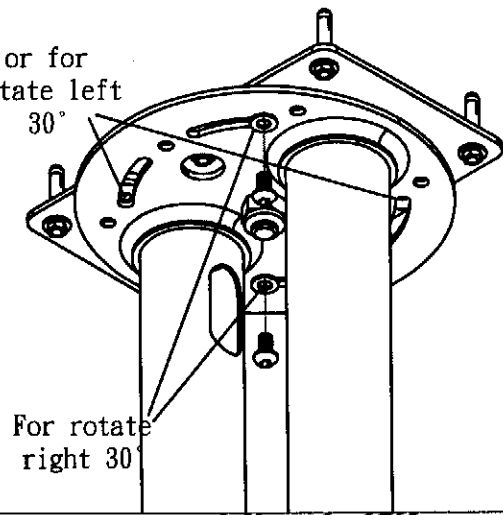
L. Spacers
 M6 12pcs
 M8 24pcs

1.



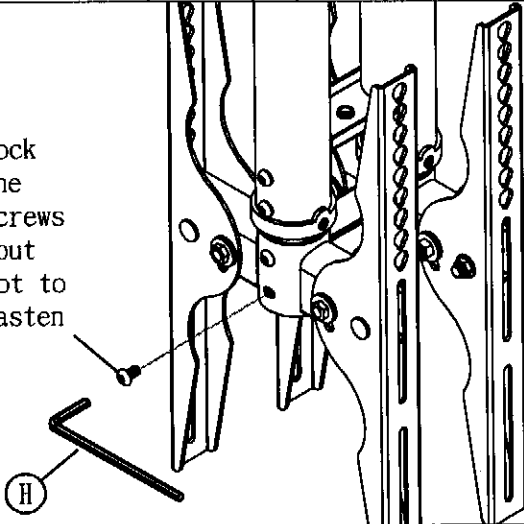
2.

or for rotate left 30°



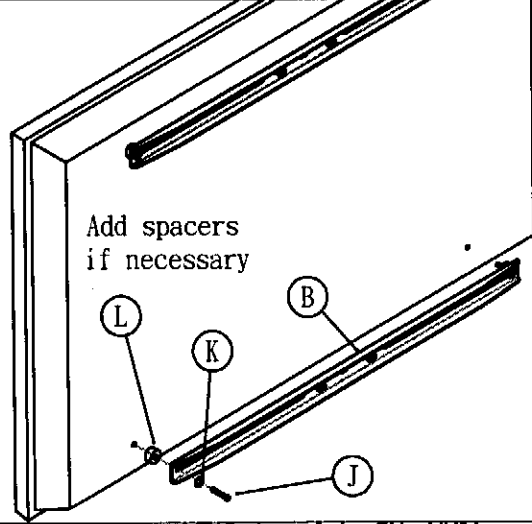
3.

Lock the screws, but not to fasten



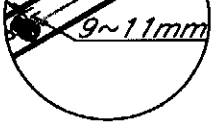
4.

Add spacers if necessary



5.

F



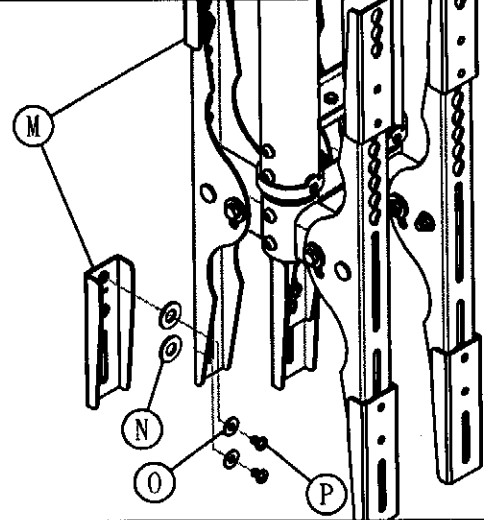
6.

M

N

O

P



7.

Fasten the screws

G

F

D



Adjust torque... if necessary

I

Adjust height... if necessary

