

Wall Pedestal Wedge Assembly Instructions

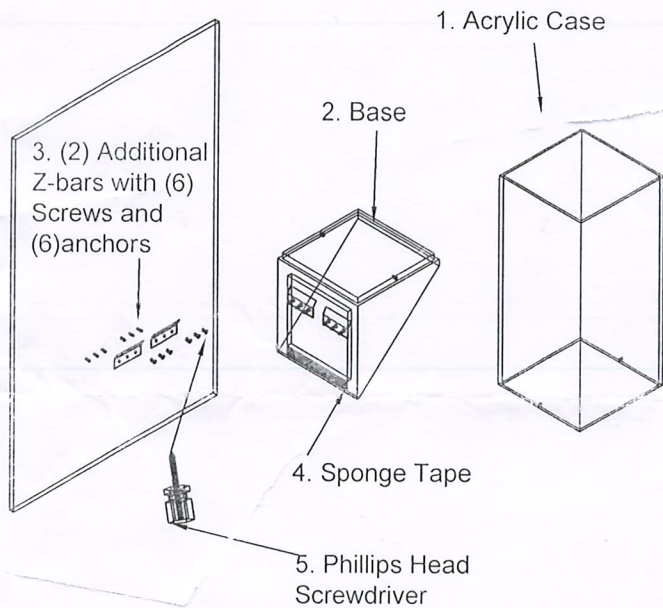
Parts:

1. Acrylic Case
2. Base

Hardware

3. (2) Additional Z-bars with (6) Screws and (6)anchors
4. Sponge Tape
5. Phillips Head Screwdriver
6. (2) Flat Head Screws

Figure 1



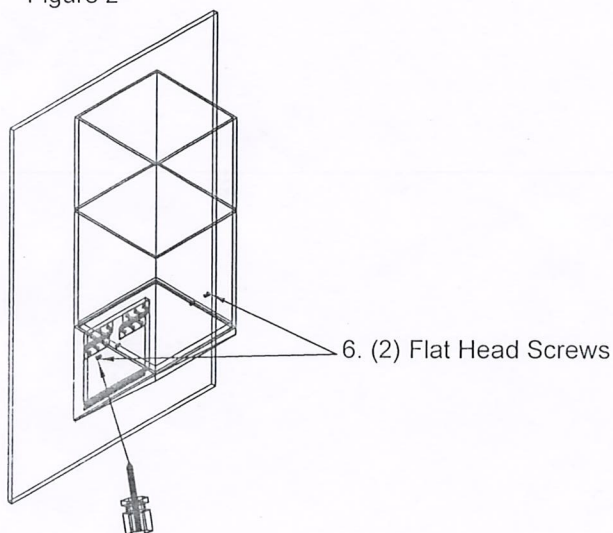
Attach Z-Bars to the wall

1. Mark 3 drilling locations through holes in each Z-bar provided. Ensure Z-bar is level on the wall using a spirit level. Drill hole in wall at each marked location.
2. Insert anchor into each drilled hole. Use hammer if necessary.
3. Attach Z-bar onto the wall and align holes in each Z-bar with anchor holes. Securely mount Z-bar to wall using (6) screws supplied.

(To protect the wall, apply the sponge tape along the bottom line at the back of the wedge.)

4. Lift the Base above mounted Z-bars. Push the Base to wall and lower it onto the brackets.

Figure 2



Attach the Acrylic Case to the base

1. Carefully place the display item on the Base.
2. Slowly lower the Acrylic Case onto the fixed Base, align the pre-drilled holes in the Base with the threaded inserts in the Acrylic Case.
3. Using the provided screwdriver, connect the Base to the Acrylic Case with (2) Flat Head Screws as illustrated in Figure 2. (Acrylic Case screws into base on left and right sides)

Assembly is finished.