

ASSEMBLY INSTRUCTIONS

HOW TO ASSEMBLE/DISASSEMBLE THE DIGITAL POSTER

DISPLAYS2GO

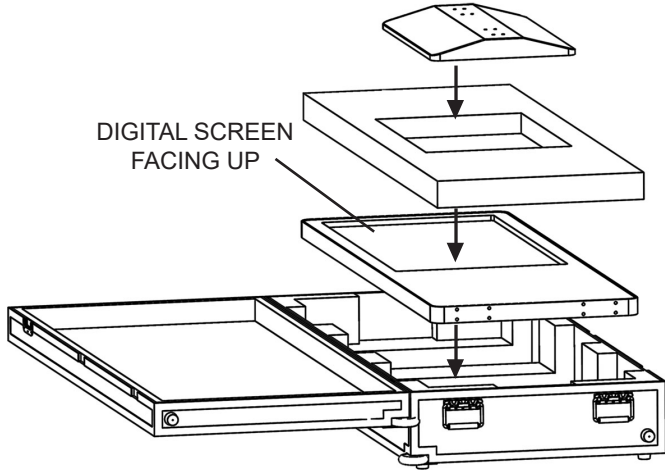
IMPORTANT SAFETY INFORMATION:

Read all instructions before installing the unit. Failure to read and comply with the instructions can result in product damage or injury to other people. Displays2go is not responsible for any damage or injury caused by incorrect installation, assembly or use.

CAUTION: THE DIGITAL POSTER IS HEAVY! 2 PEOPLE ARE REQUIRED FOR SAFETY.

HOW TO SECURELY PACK THE DIGITAL POSTER INTO THE SHIPPING CASE:

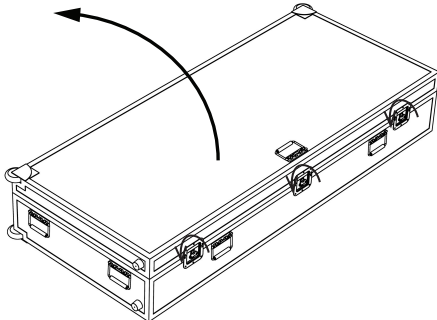
Remove the foam sheet from the shipping case first, then carefully fit the digital panel into the shipping case, with **screen side facing up**. Replace the foam sheet, it should sit on top of the digital panel. Place the metal base in the cutout and close the top cover of the shipping case.



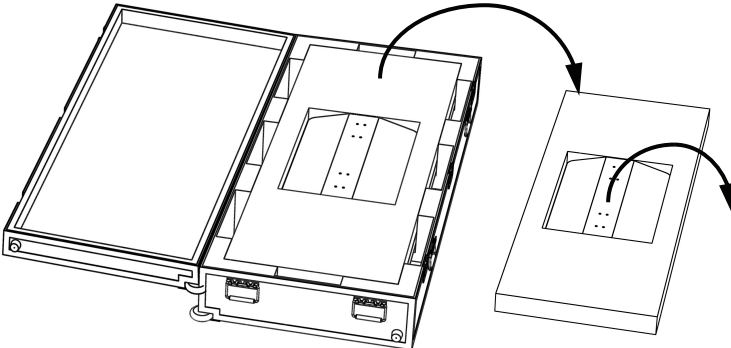
HOW TO ASSEMBLE THE DIGITAL POSTER:

1. Twist butterfly latches counter clockwise, and use the handle to lift up the cover of the case.

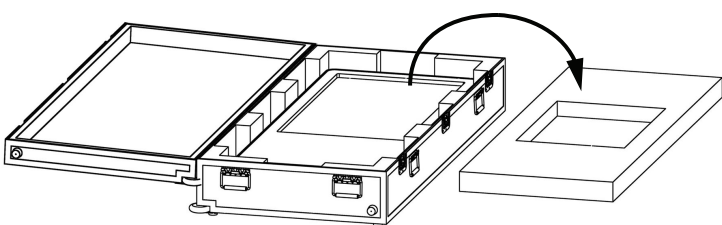
CAUTION: Beware of sharp edges. Wear gloves to protect your hands.



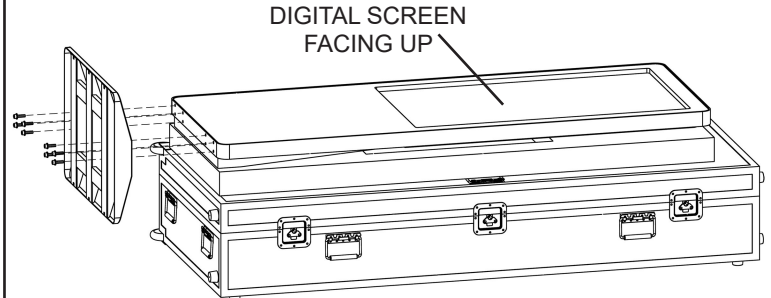
2. Place the foam sheet with the metal base on a flat, hard surface. Remove the metal base from the center of the foam.



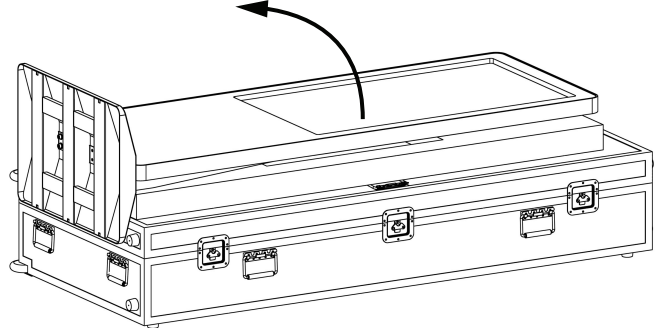
3. Carefully lift the digital panel and place it on top of the foam.



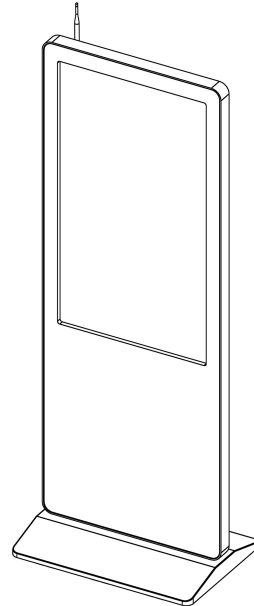
4. Fold down the top cover of the case, then carefully lift the foam sheet with the digital panel and place on top of the case. Connect the metal base with the digital panel using socket screws provided, tighten all screws with allen key.



5. Carefully lift up the assembled digital panel to its upright position.



6. Place the digital unit on a flat, hard and level ground. Plug in the power cord and power it on. The digital poster is ready to use.



To disassemble the unit and put it back in the shipping case, reverse all the steps above. **WHEN PACKING, PLACE THE DIGITAL POSTER IN FIRST, WITH THE SCREEN SIDE FACING UP. THE FOAM SHEET GOES ON TOP OF THE PANEL.** Don't forget to disconnect all the cables and remove all attachments before starting disassembling.

If you have any questions regarding our products, please visit us at www.displays2go.com or contact D2G customer service at 844-221-3393.

