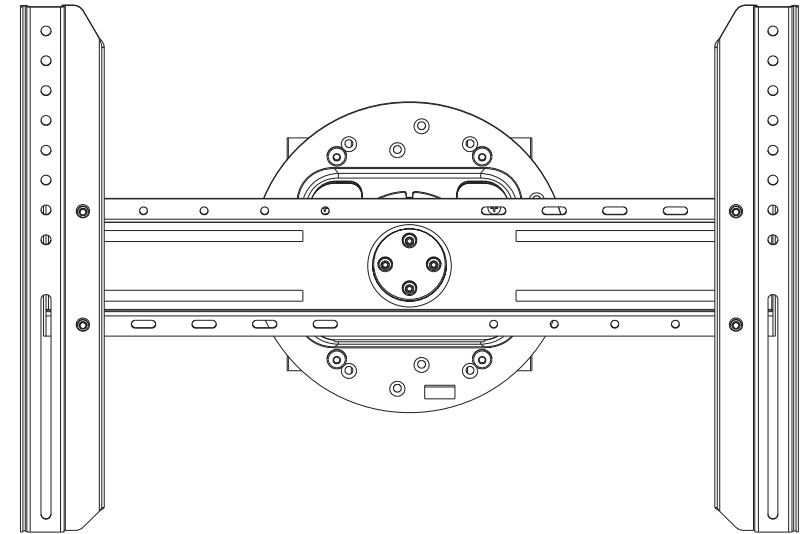


TV Bracket

Maintenance

- Check that the bracket is secure and safe to use at regular intervals(at least every three months).
- Please contact your dealer if you have any questions.



CAUTION: DO NOT EXCEED MAXIMUM LISTED WEIGHT CAPACITY. SERIOUS INJURY OR PROPERTY DAMAGE MAY OCCUR!



300x300/400x200
400x400/600x400



70"
MAX



50kg
(110lbs)
MAX

ISSUED: NOV. 2016

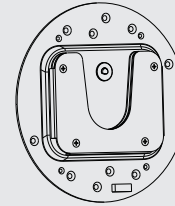
NOTE: Read the entire instruction manual before you start installation and assembly.

⚠ WARNING

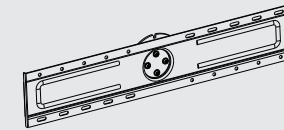
- Do not begin the installation until you have read and understood all the instructions and warnings contained in this installation sheet. If you have any questions regarding any of the instructions or warnings, please contact your local distributor.
- This mounting bracket was designed to be installed and utilised **ONLY** as specified in this manual. Improper installation of this product may cause damage or serious injury.
- This product should only be installed by someone with good mechanical ability who has basic building experience and fully understands this manual.
- Make sure that the supporting surface will safely support the combined weight of the equipment and all attached hardware and components.
- Always use an assistant or mechanical lifting equipment to safely lift and position the equipment.
- Tighten screws firmly, but do not over tighten. Over tightening can cause damage to the items, This greatly reduces their holding power.
- This product is intended for indoor use only. Using this product outdoors could lead to product failure and personal injury.

Component Checklist

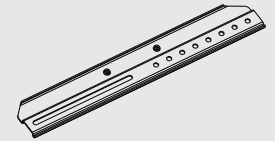
IMPORTANT: Ensure that you have received all parts according to the component checklist prior to installation. If any parts are missing or faulty, telephone your local distributor for a replacement.



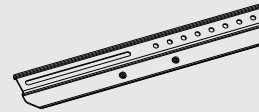
mounting plate (x1)
A



universal plate (x1)
B



left adapter bracket (x1)
C



right adapter bracket (x1)
D



4mm Allen key (x1)
E



5mm Allen key (x1)
F



M6x10 (x4)
G



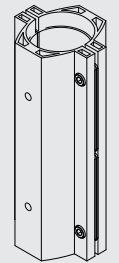
M8x12 (x4)
H



D6 (ø6.6xø12)
washer (x4)
I



D8 (ø8.4xø16)
washer (x4)
J



mounting clamp (x2)
K

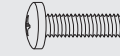
Package M



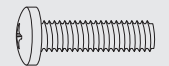
M5x14 (x4)
M-A



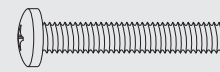
M6x14 (x4)
M-B



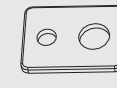
M6x30 (x4)
M-C



M8x30 (x4)
M-D



M8x50 (x4)
M-E



washer (x4)
M-F



small spacer (x8)
M-G

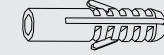


big spacer (x8)
M-H

Package W

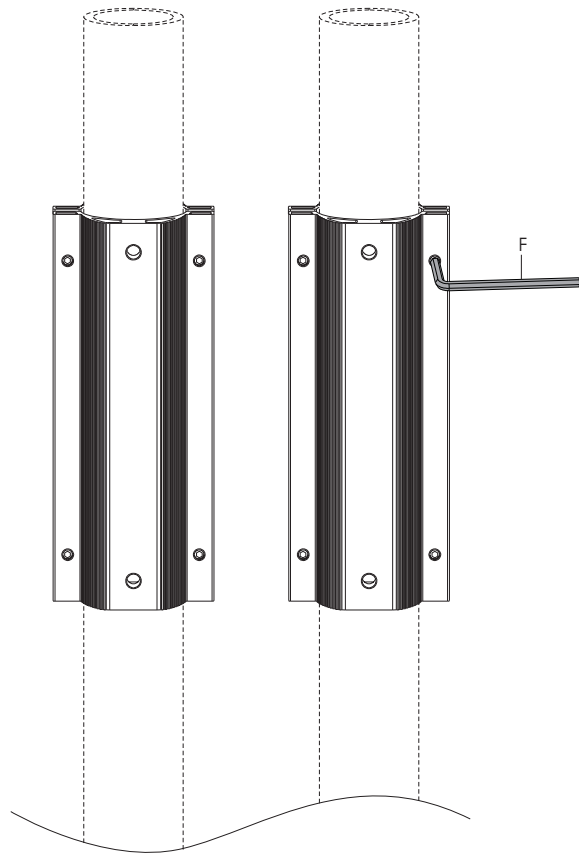


ST6.3x60 (x4)
W-A

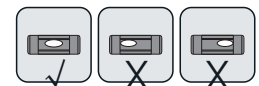
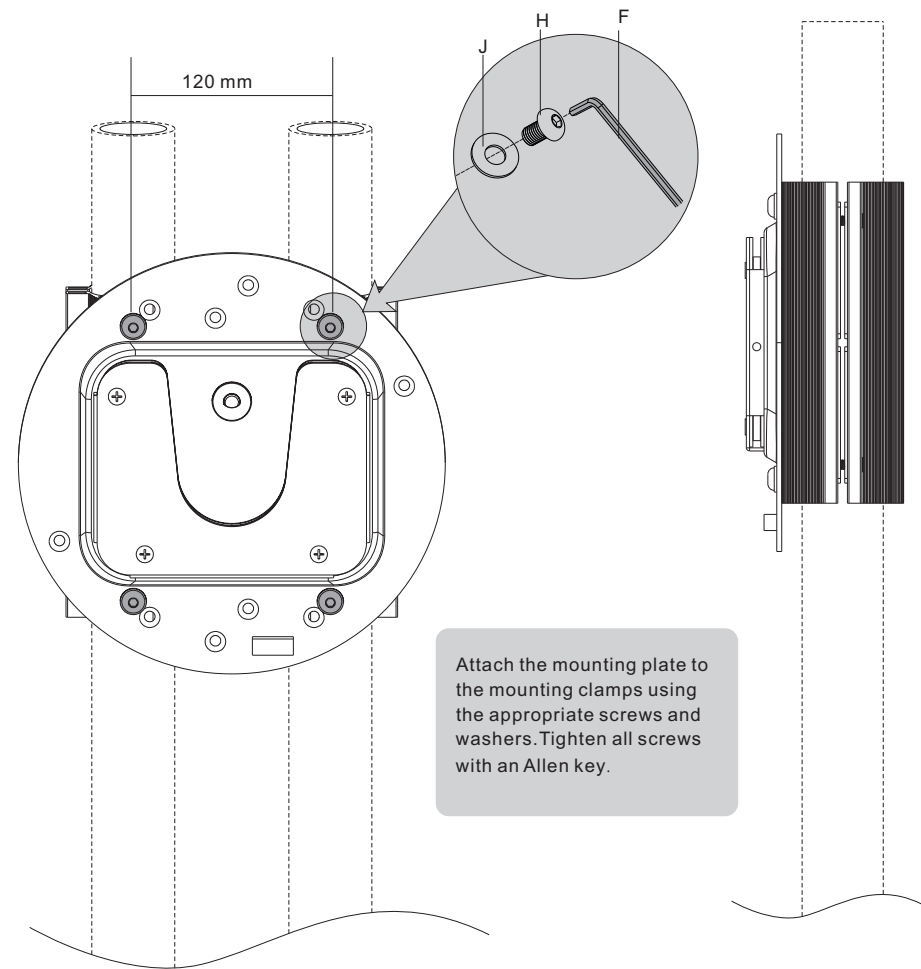


concrete anchor (x4)
W-B

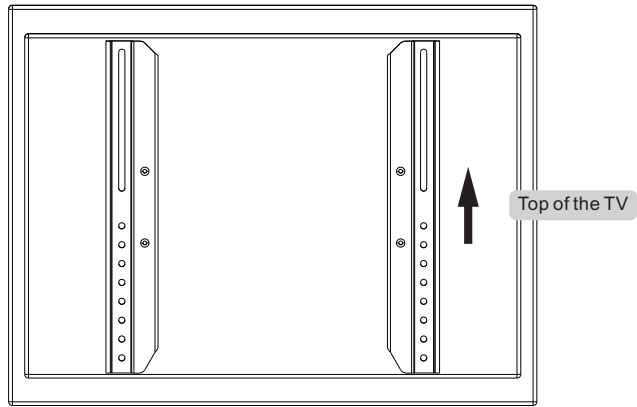
1. Installing the Mounting Clamps



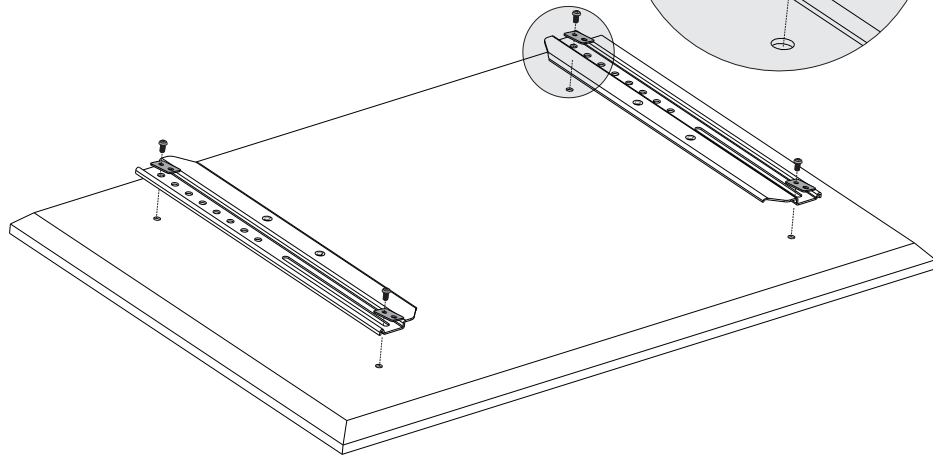
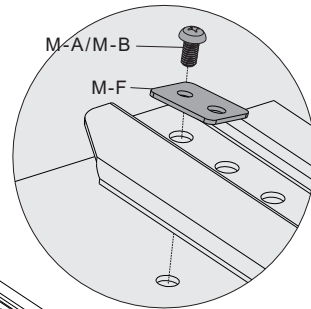
2. Installing the Mounting Plate



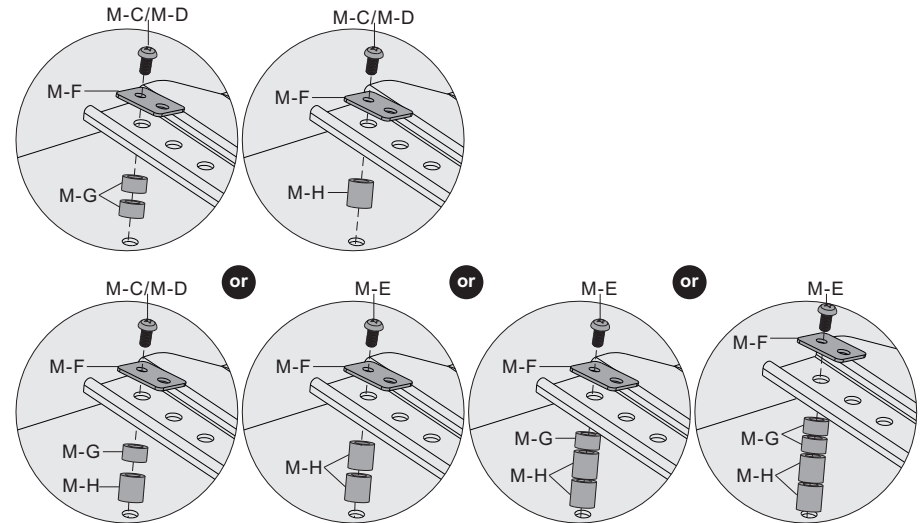
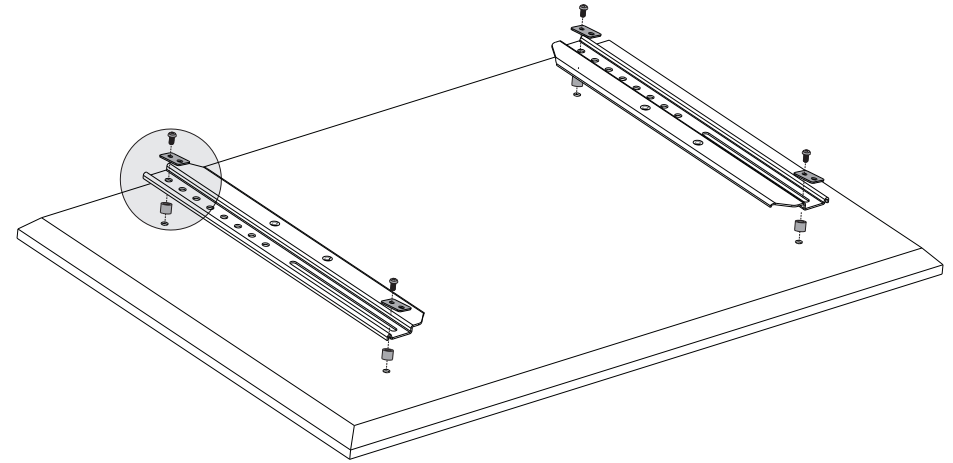
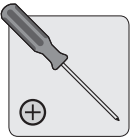
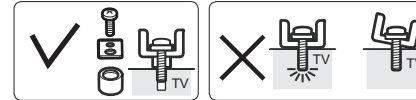
3. Installing the Adapter Brackets



3-1 For the Flat Back Screen



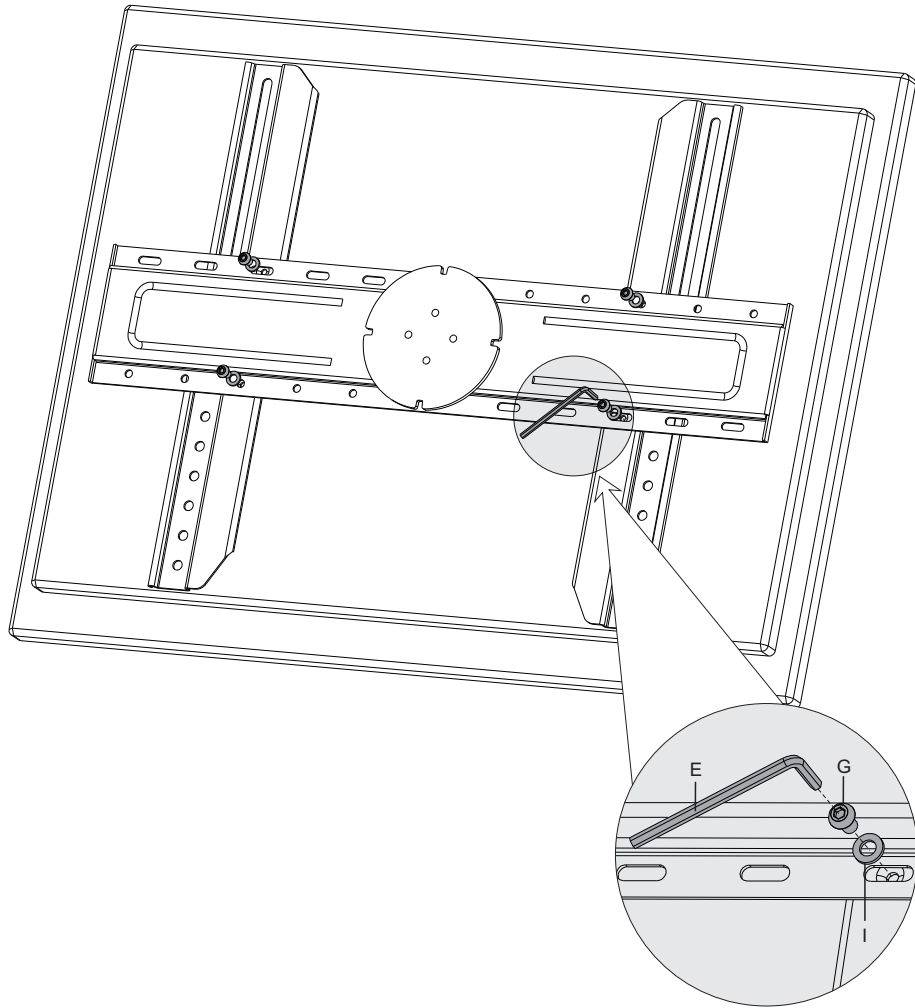
3-2 For the Recessed Back Screen or to Access A/V Inputs



- Note:** Choose the appropriate screws, washers and spacers (if necessary) according to the type of screen.
- Position the adapter brackets as close as possible to the center of the TV.
 - Screw the adapter brackets onto the TV.

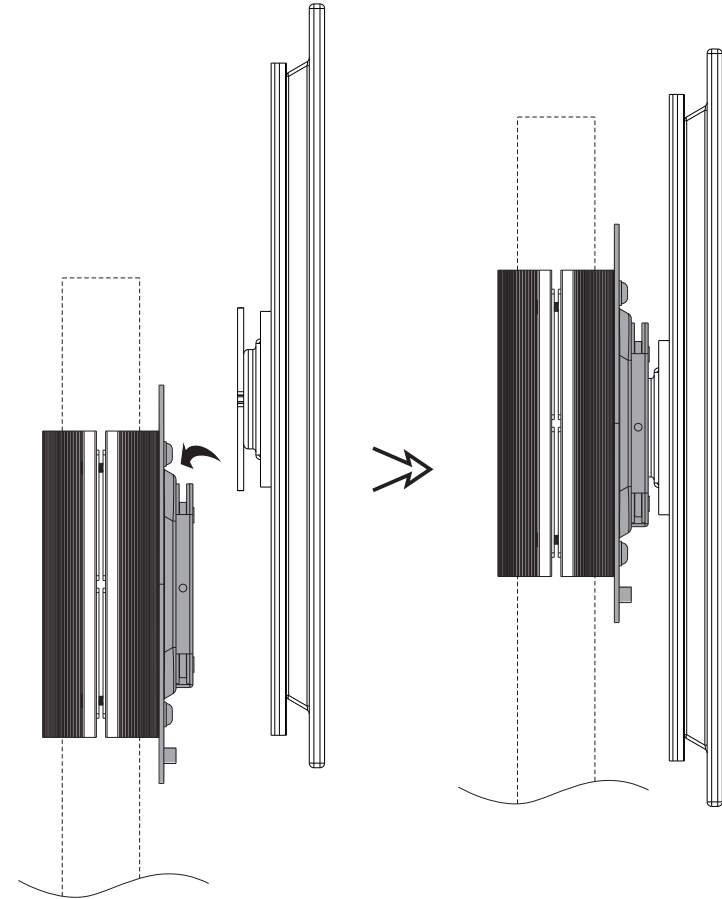
Tighten all screws but do not over tighten.

4. Installing the Universal Plate



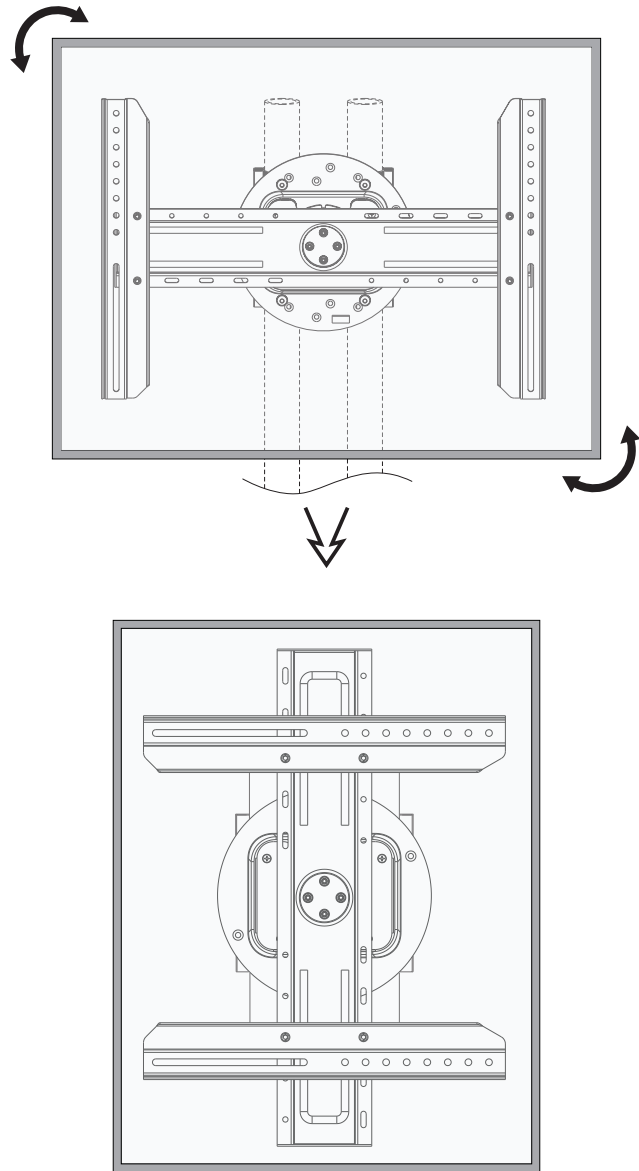
Attach the universal plate to the back of adapter brackets using the appropriate screws and washers and tighten all screws with a 4mm Allen key.

5. Hanging the TV onto the Mounting Plate



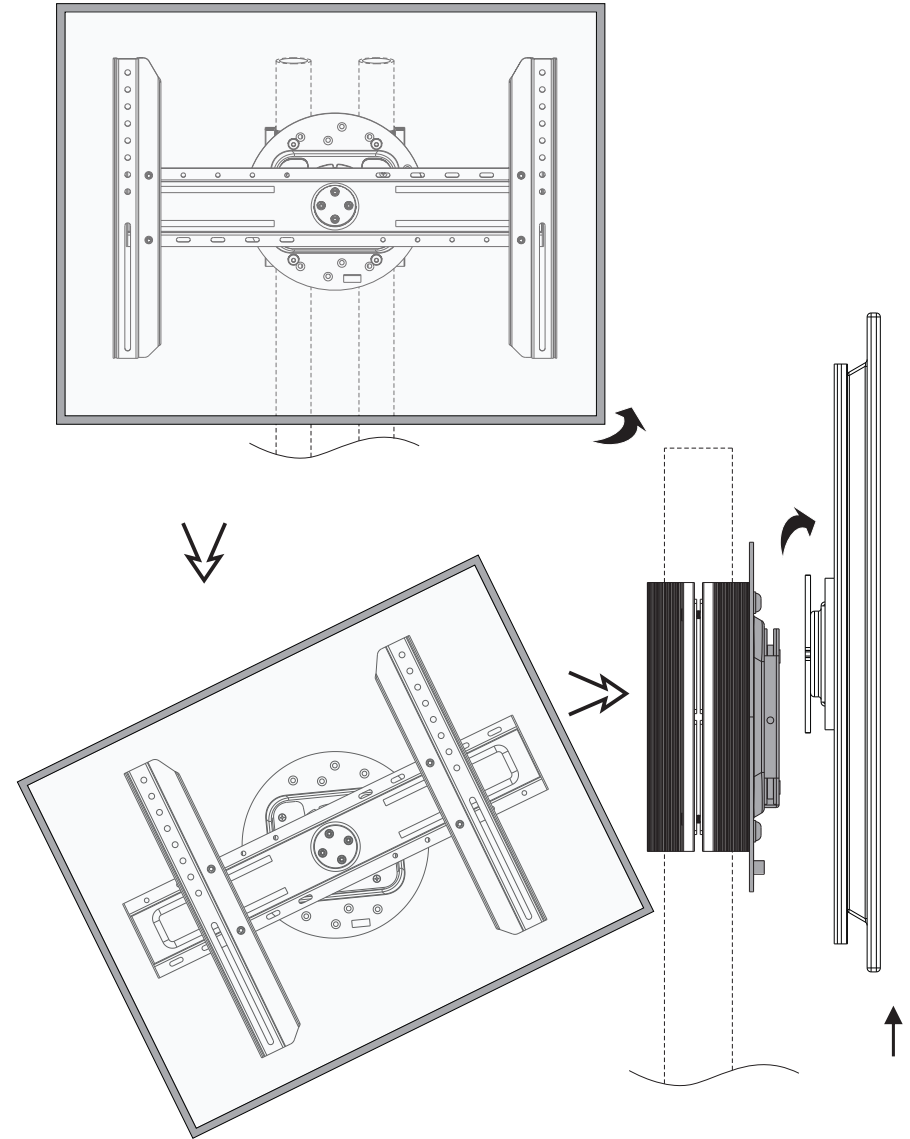
Lift your TV carefully and fit the adapter bracket into the mounting plate rail.
NOTE: It is easier to install the TV by tilting the TV slightly in horizontal direction.
Important: Make sure the TV is correctly installed before releasing the TV.

6. Adjustment



Firmly hold two edges of the TV and turn it into the desired angle. The pitching angle can be adjusted in a position of 0°, 90°, 180° and 270°.

7. Removing the TV



Turn the TV into an inclined position and then lift the TV in order to remove the TV from the mount.
Note: Make sure the rotation angle of TV is not in a horizontal and vertical position, but in an inclined position.