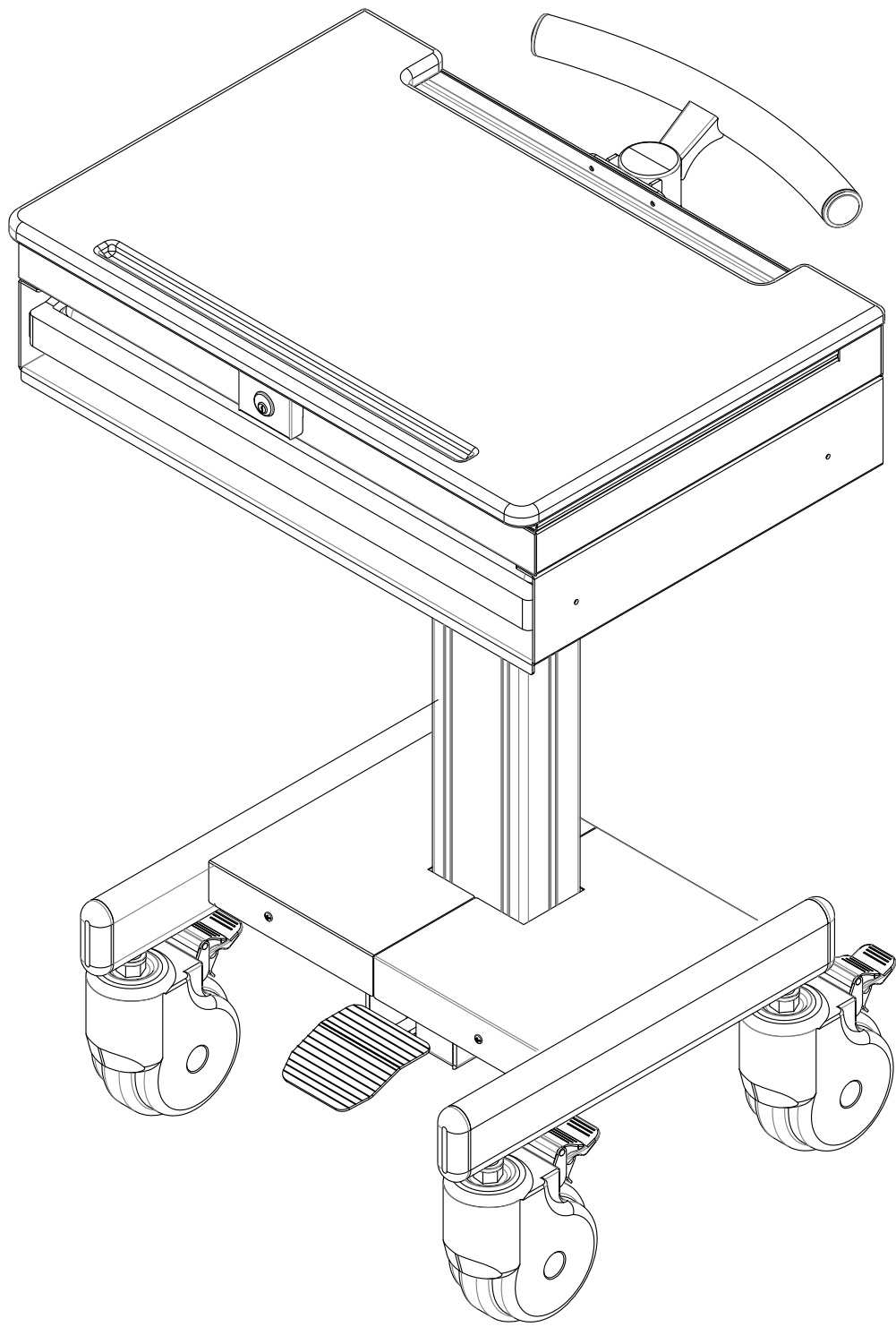
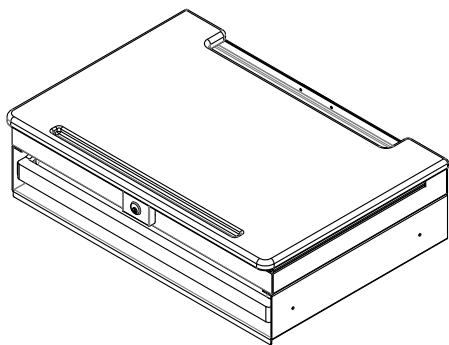


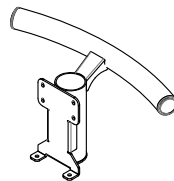
Weight Capacity: 0~5 Kg



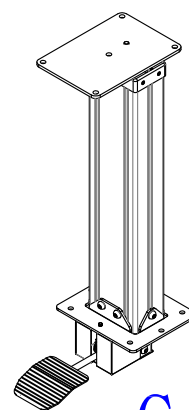
# Part List:



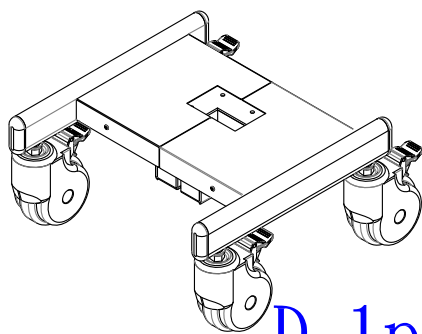
A. 1pc



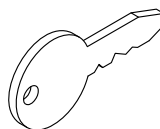
B. 1pc



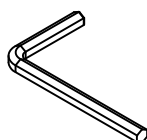
C. 1pc



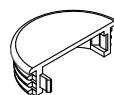
D. 1pc



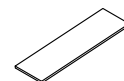
E. key 2pc



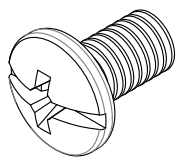
F. M5 wrench 1pc



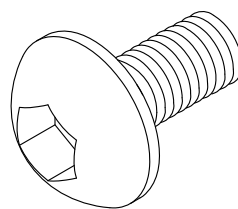
G. 2pc



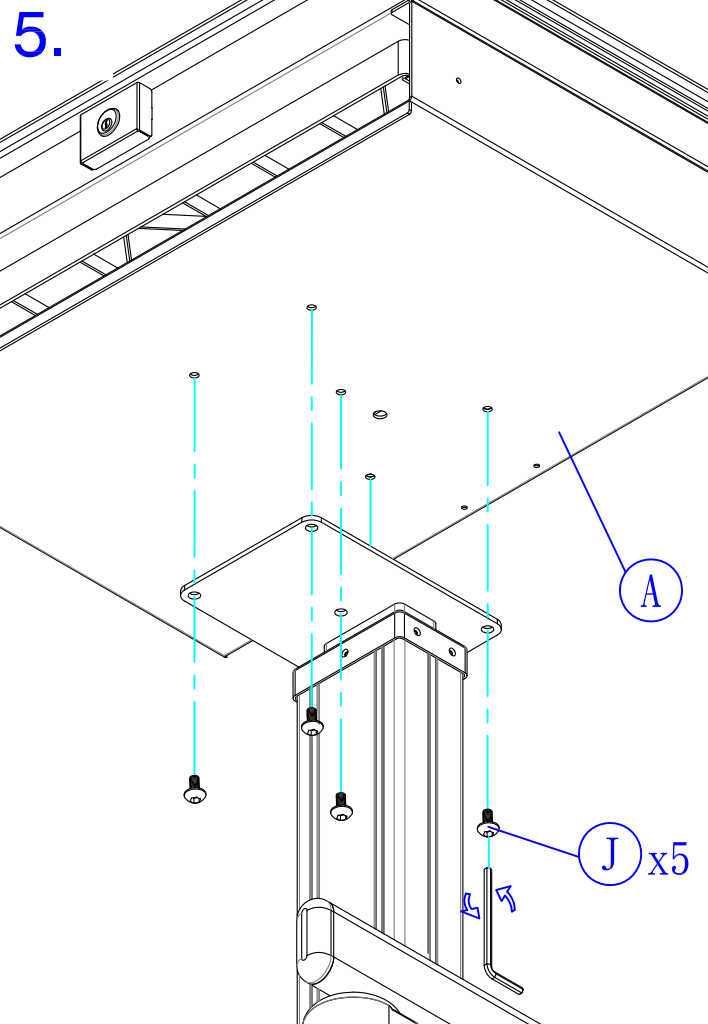
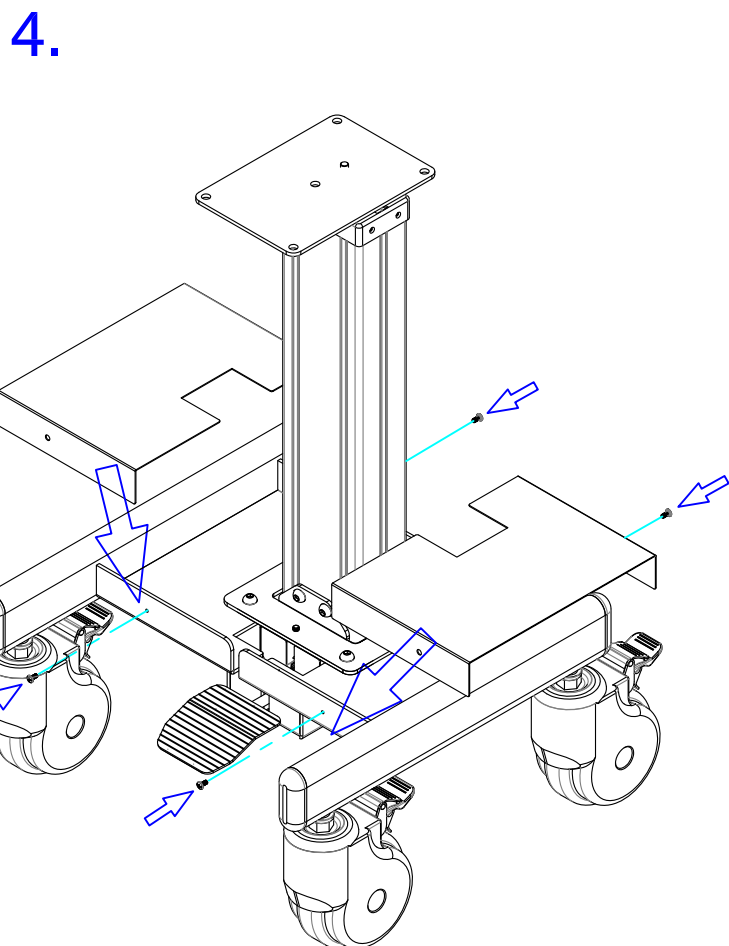
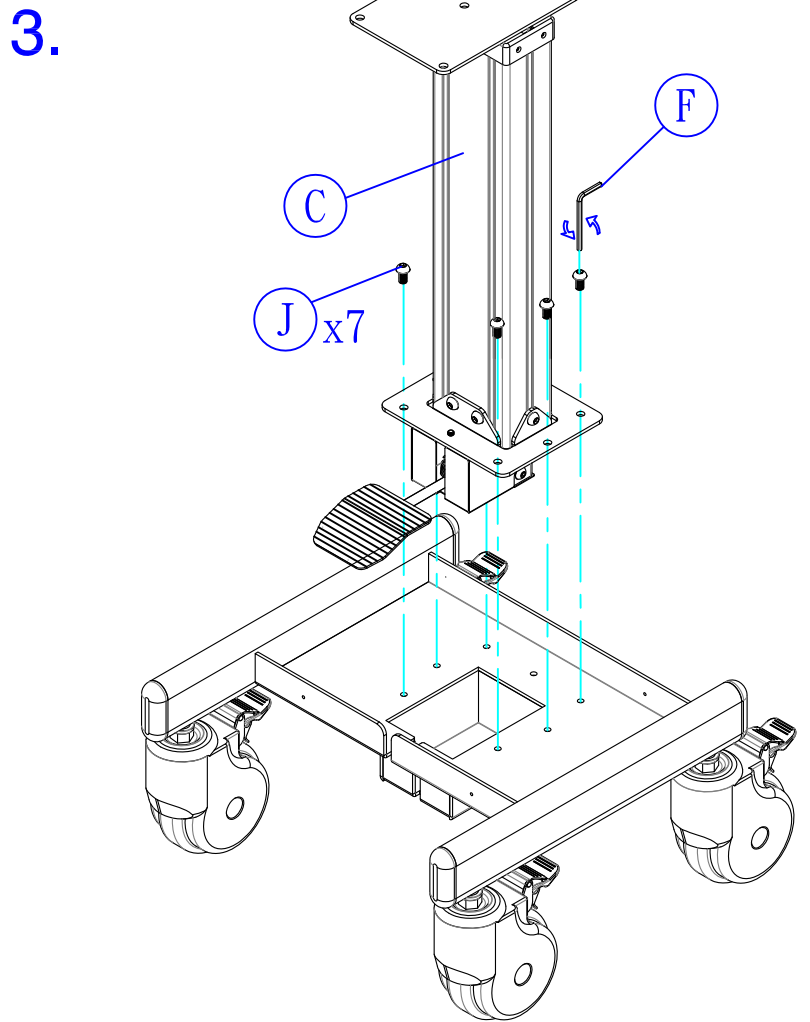
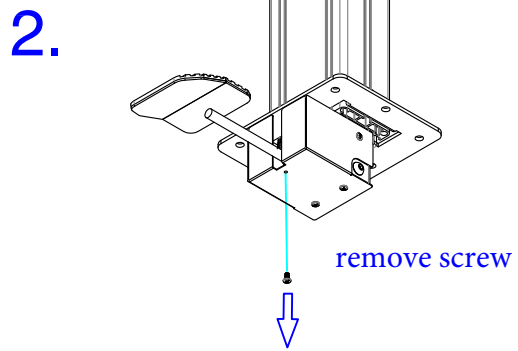
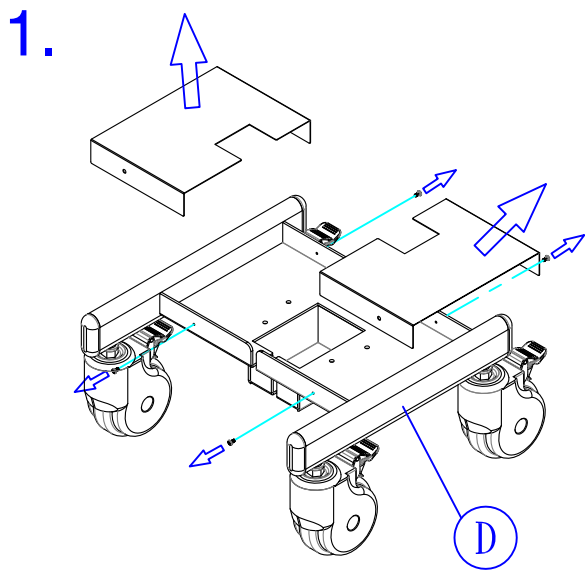
H. 3pc



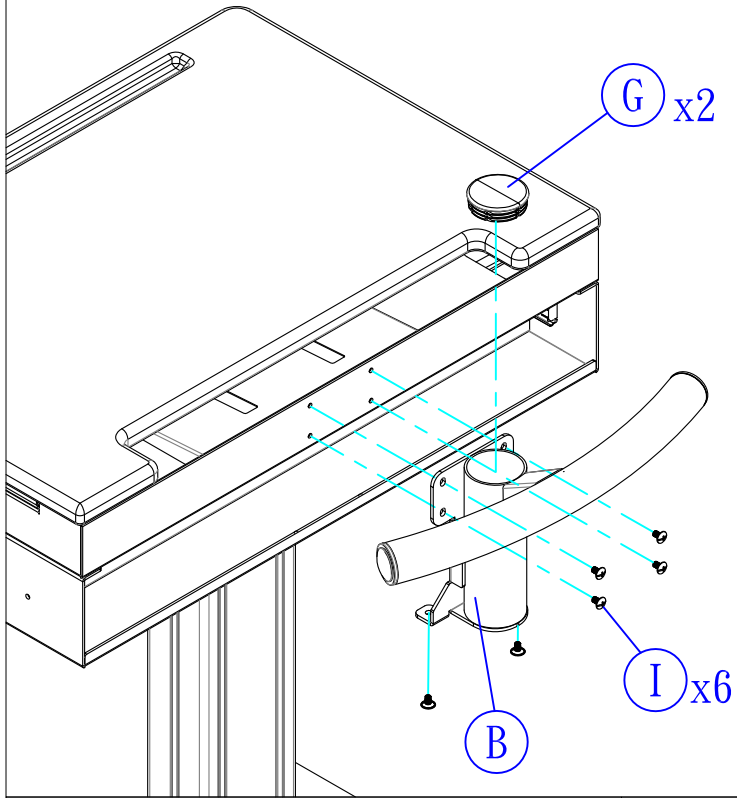
I. M5x8 6pcs



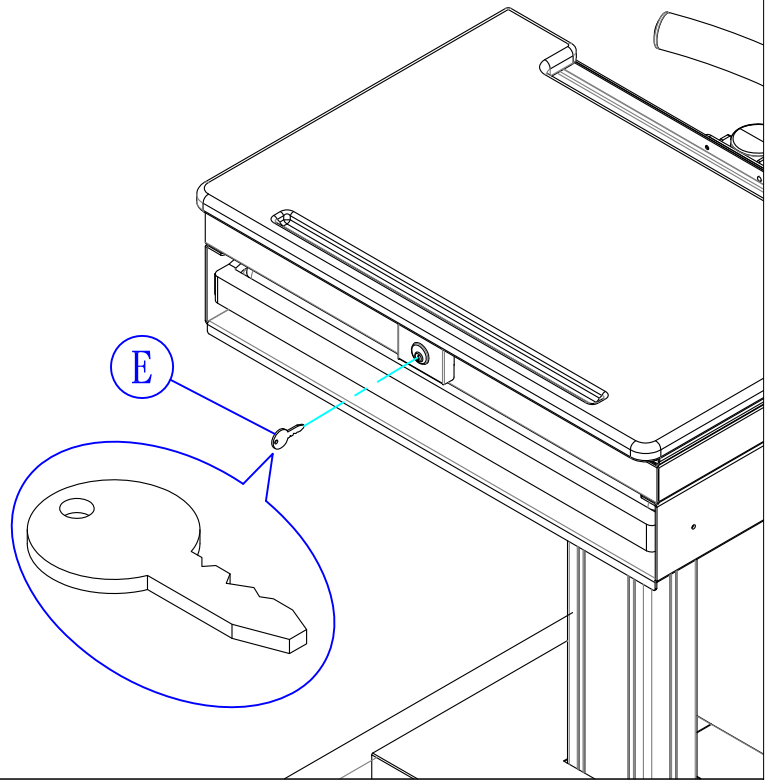
J. M8x12 12pcs



6.

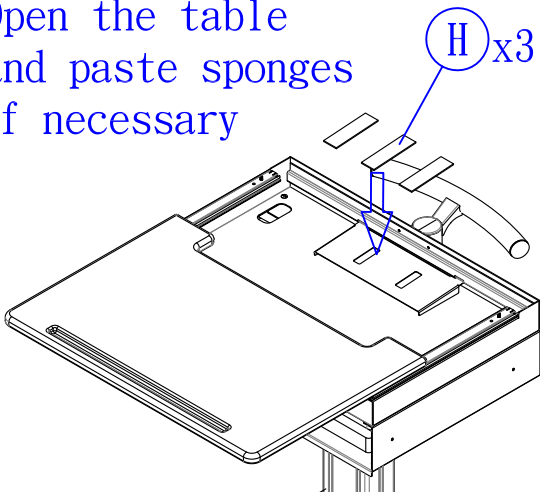


7.



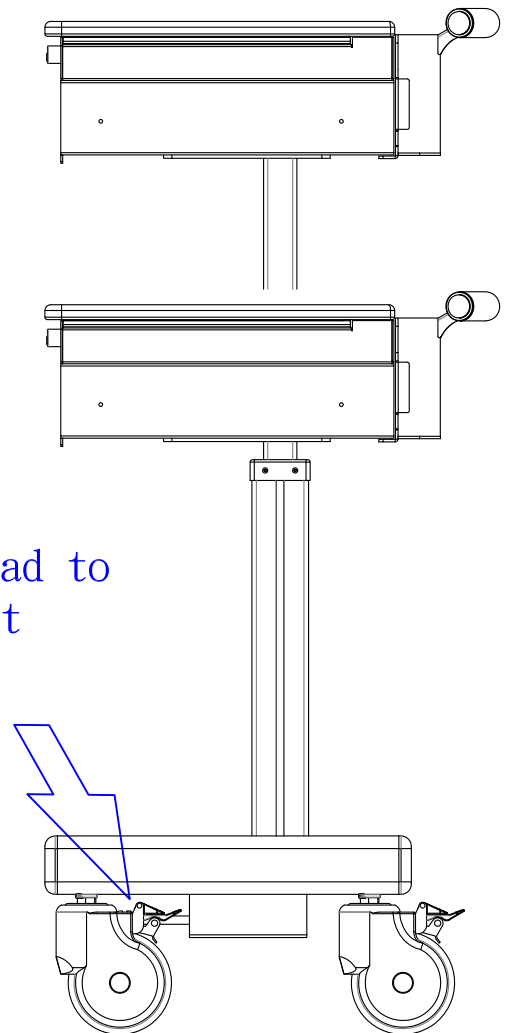
8.

Open the table  
and paste sponges  
if necessary



10.

Push the tread to  
adjust height  
if necessary



9.

