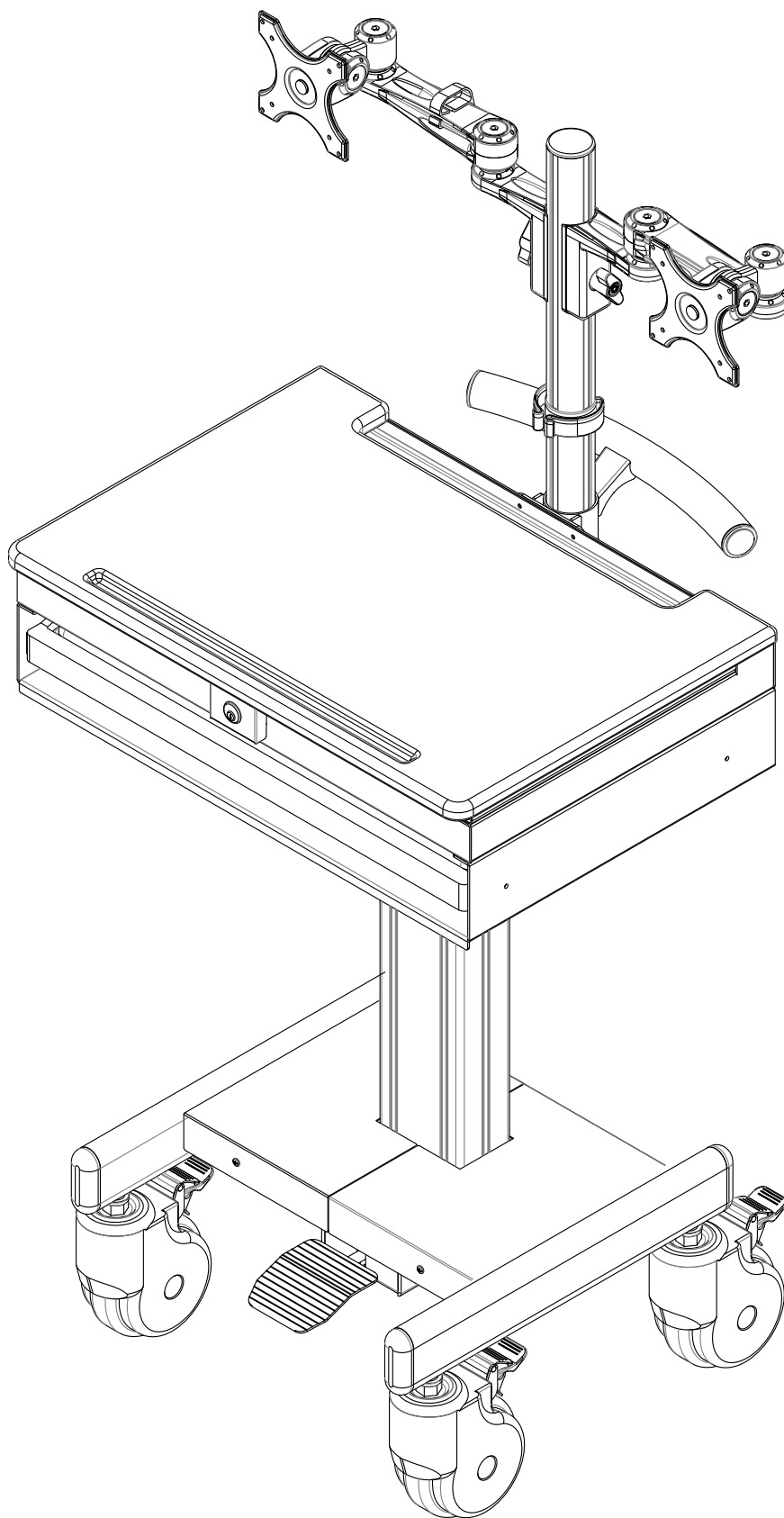
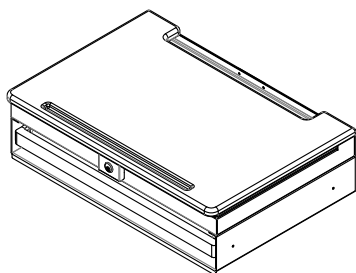


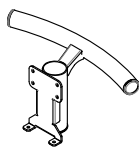
Weight Capacity: 5~8 Kg



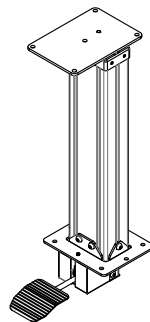
Part List:



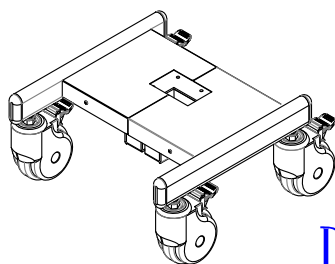
A. 1pc



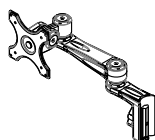
B. 1pc



C. 1pc



D. 1pc



E. 2pcs



F. 2pcs



G. key 2pcs



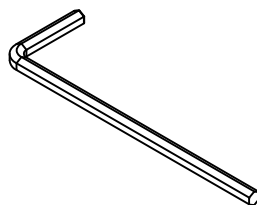
H. 1pc



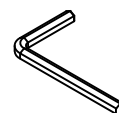
I. 1pc



J. 1pc



K. M6 wrench
1pc



L. M5 wrench
1pc



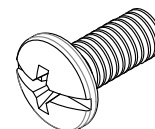
M. 3pcs



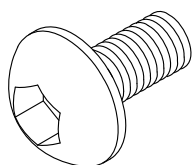
N. M4x10 8pcs



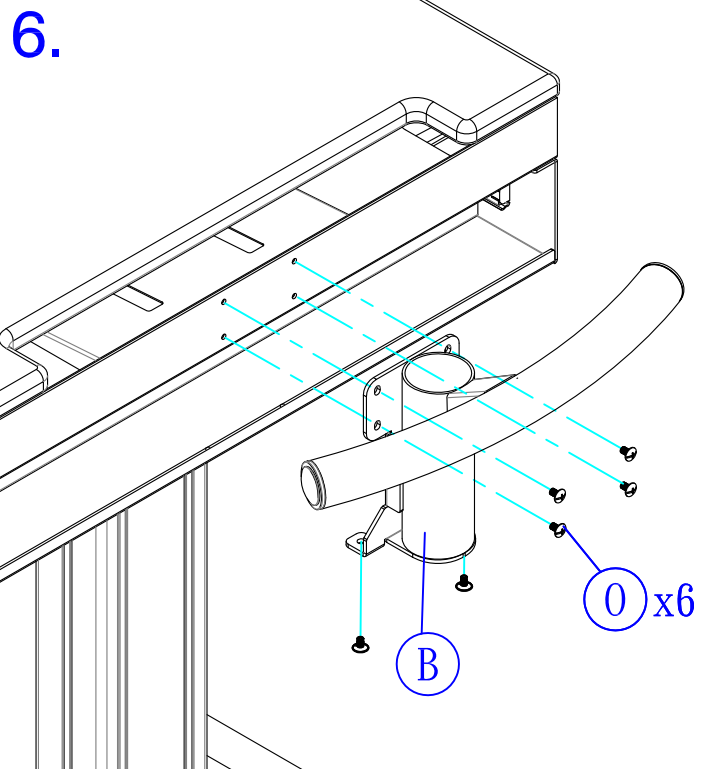
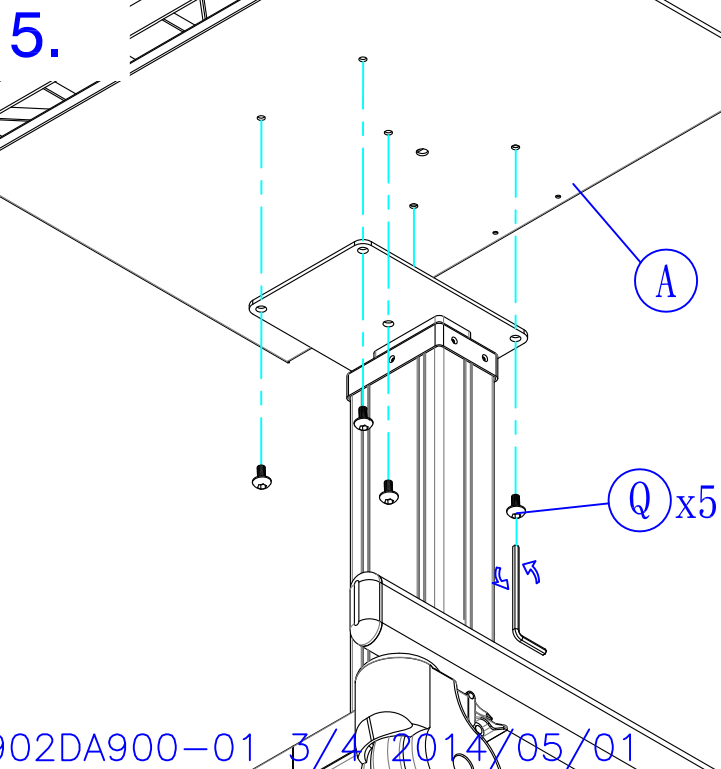
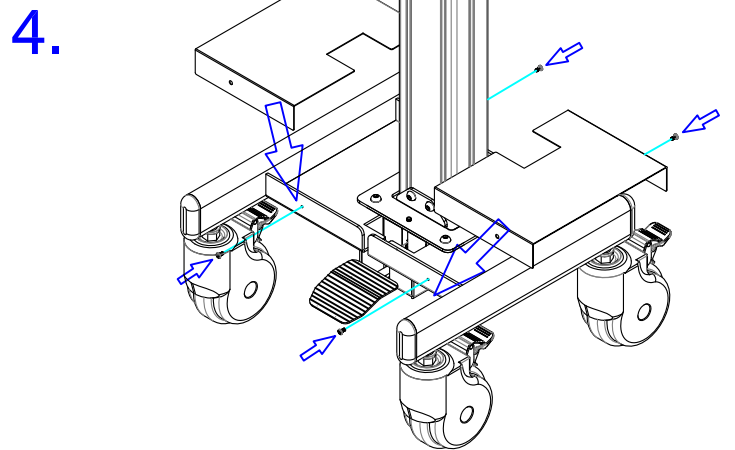
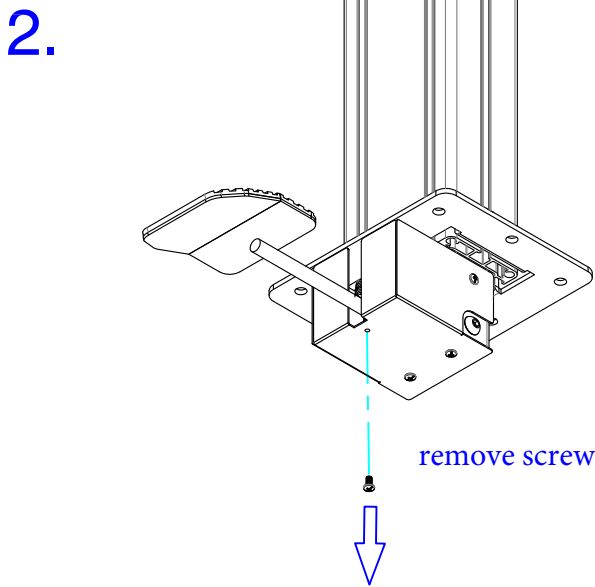
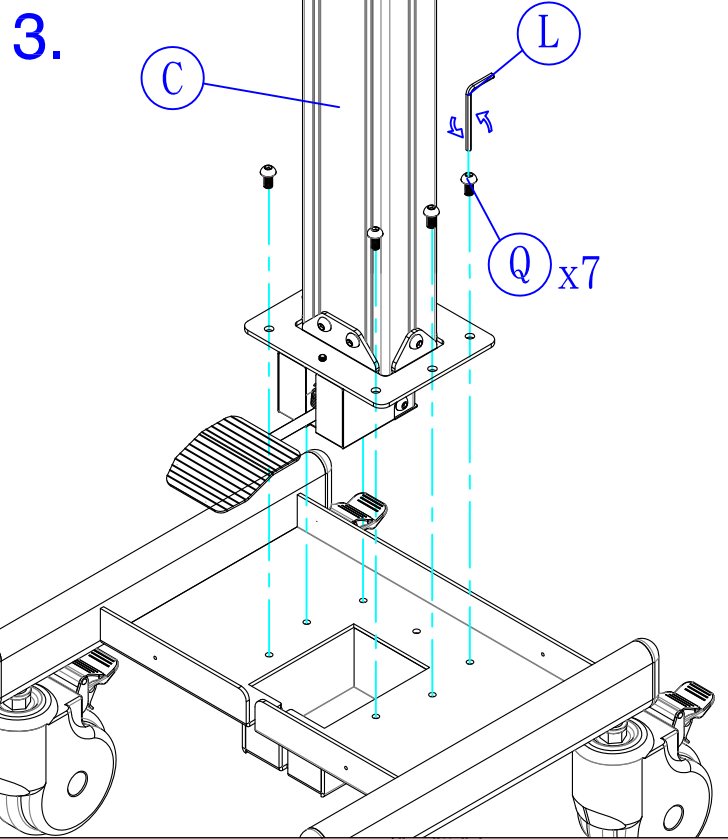
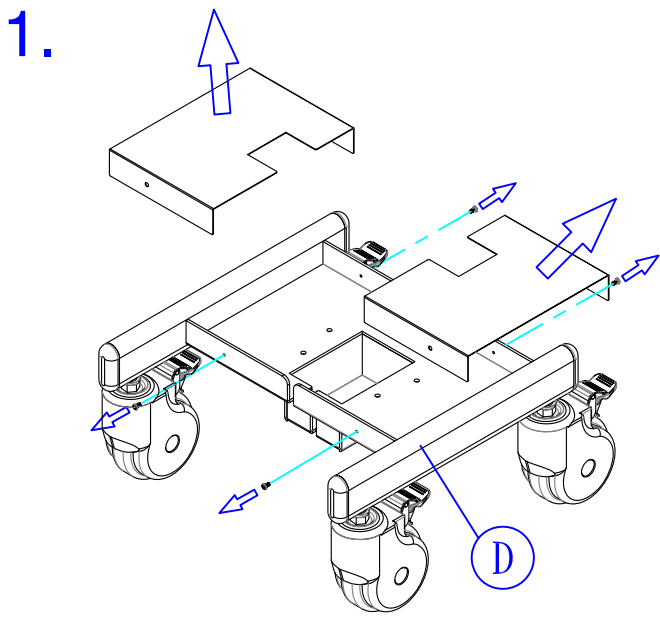
O. M5x8 6pcs



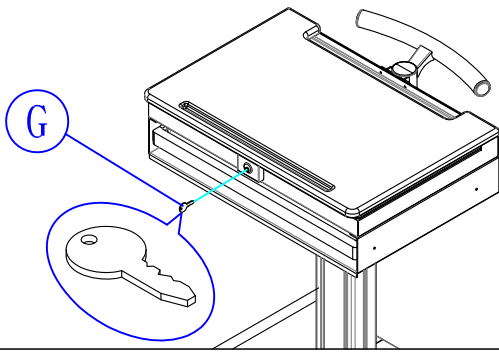
P. M6x12 4pcs



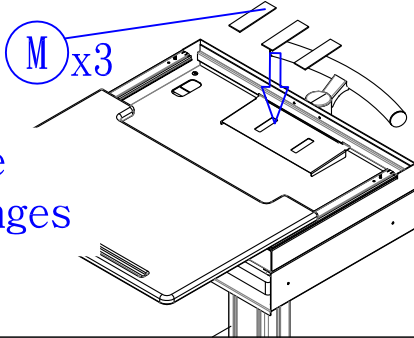
Q. M8x12 12pcs



7.

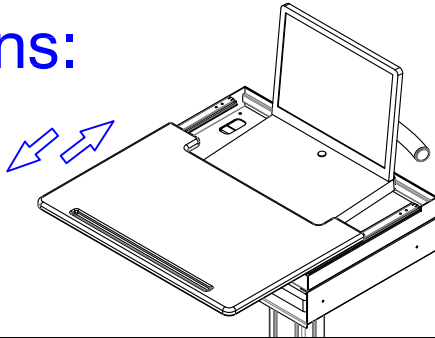


Options:

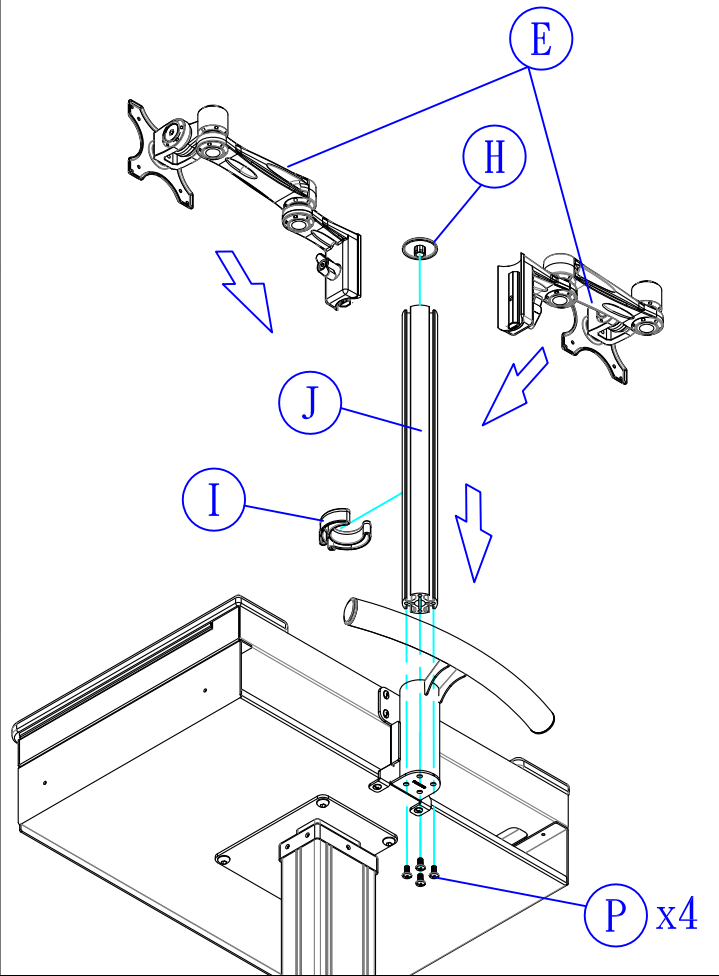


Open the table and paste sponges if necessary

Options:

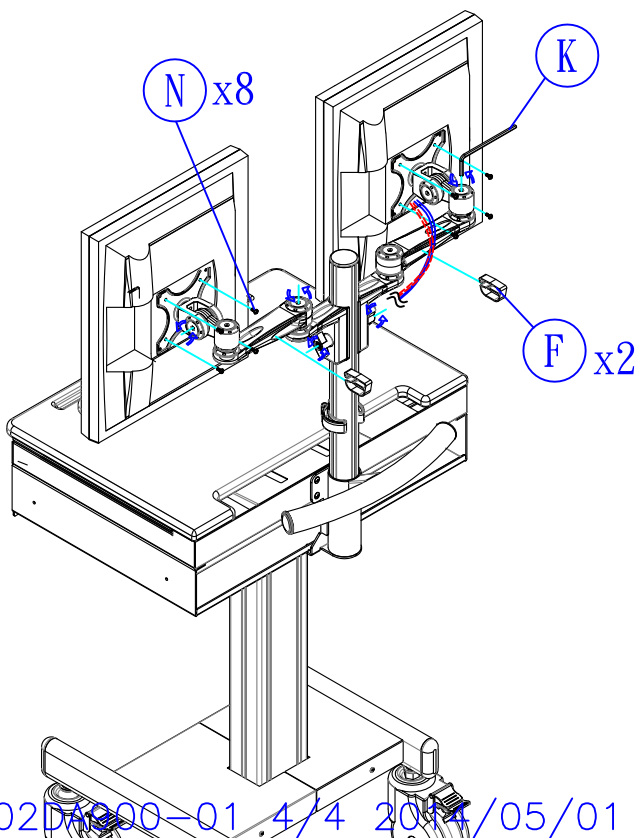


8.



9.

Adjust torque if necessary



10.

Push the tread to adjust height if necessary

