

Premium High-Back Mesh Office Chair

**User Manual**

SKU: FDCHMO











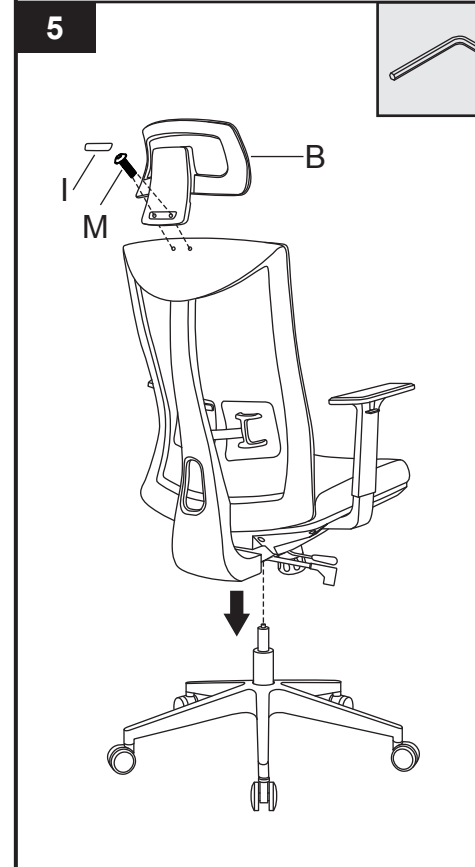
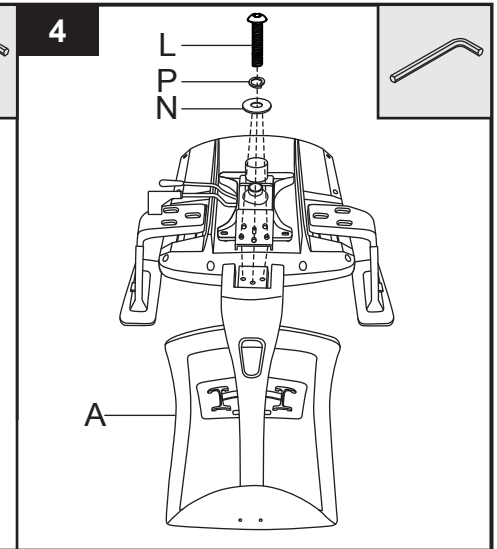
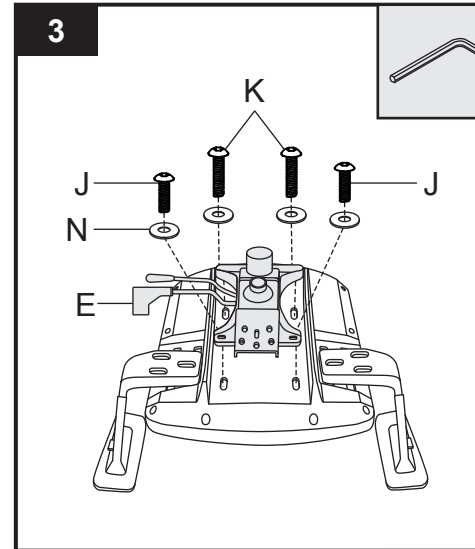
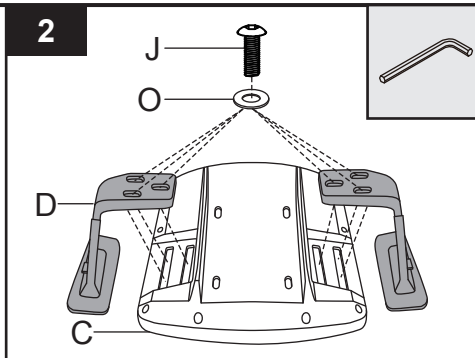
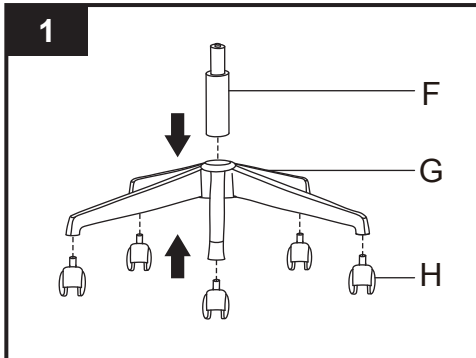
Scan QR code to visit product page

**A** **B** **C**

**D** **E** **F**

**G** **H (x5)** **I**

 M6x40mm J (x8)	 M6x45mm K (x2)	 M8x45mm L (x3)	 M6x20mm M (x2)
 M8x17mm N (x7)	 M6x15mm O (x6)	 M8x13mm P (x3)	 Q (x2)



**6**

**Height Adjustment**  
If sitting stand up, pull the handle UP, the seat will raise. To lower, re-seat yourself and pull the handle again allowing your weight to lower the chair.

**Seat Depth Adjustment**  
Pull up on the smaller lever to adjust the seat depth forward/back.