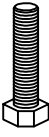





## FD24RP42, FD24SP42, FD30RP42, FD30SP42 SERIES

PARTS			HARDWARE BAG							
A	Bottom Base	1 pc	H1	Bottom Base screw	1 pc		H3	Plate Nut	2 pcs	
B	Column	1 pc								
C	Plate	1 pc	H2	Glides	4 pcs		H4	Wood Screw	8 pcs	
D	Table Top	1 pc								

**Attention:** Before you start assembling your table top; please prepare a soft surface work area on the floor. The only tool you will need is a screwdriver. Carefully remove all hardware from packaging and place the hardware parts on the soft work area where they will not come in contact with the laminated wood components. To avoid damage to the laminated wood surfaces, keep hardware parts separated until they are needed for assembly.

### ASSEMBLY INSTRUCTIONS

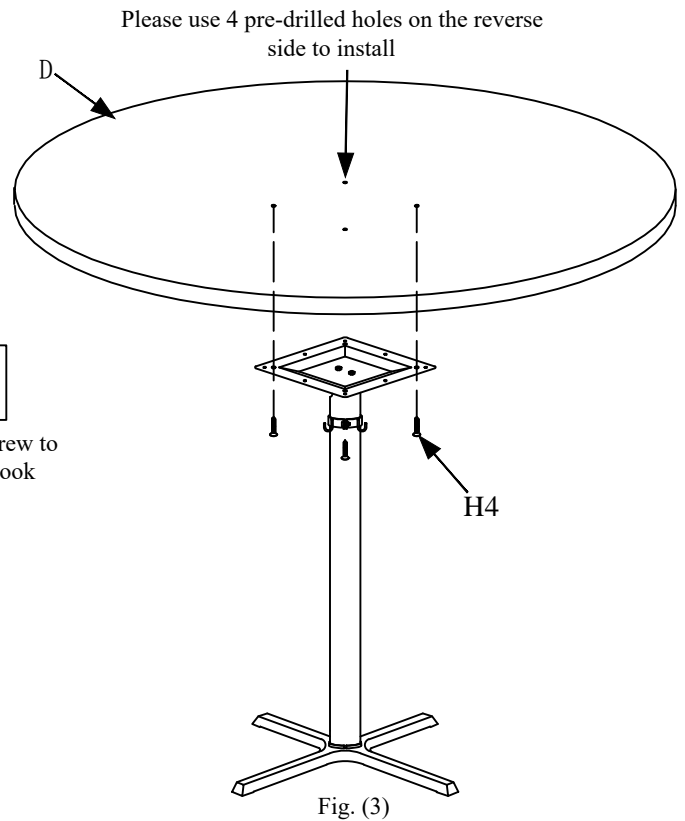
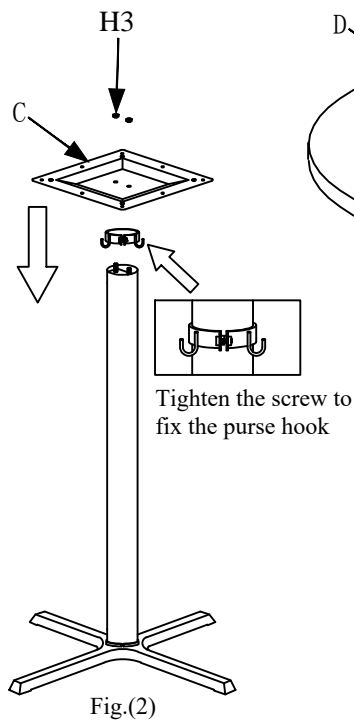
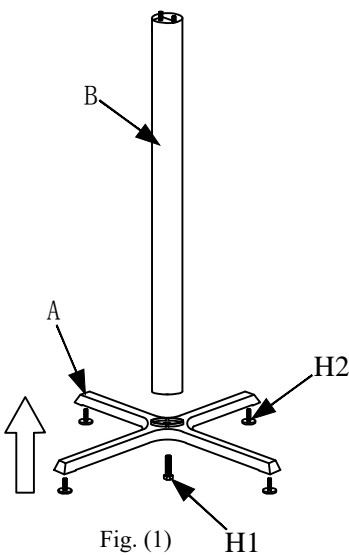
Step 1: Attach glides (H2) to bottom base (A).

Step 3: Slide purse hook over column and secure by tightening screw.

Step 5: Attach table top (D) to Plate by inserting wood screws (H4) through holes in plate and into table top.

Step 2: Attach column (B) to bottom base using bottom base screw (H1).

Step 4: Attach plate (C) to column using plate nuts (H3).



If you have any questions regarding our products, please contact D2G customer service.