

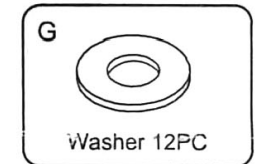
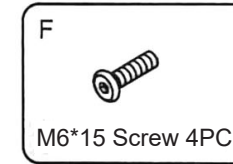
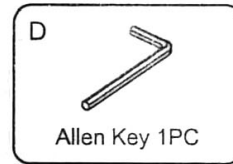
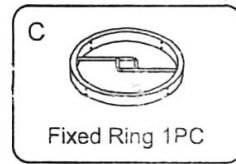
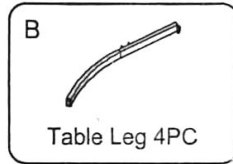
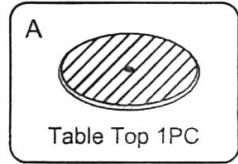
ASSEMBLY INSTRUCTIONS

FDRDTBL32 - ROUND PATIO TABLE

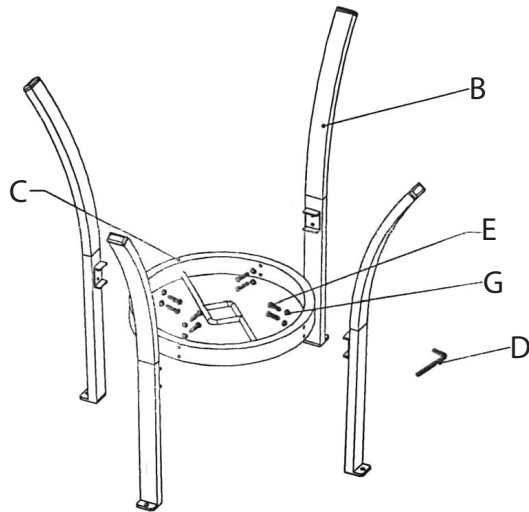
DISPLAYS2GO

Attention: Before starting assembling, please prepare a soft surface work area on the floor. Carefully remove all parts from package and place them on the soft work area to avoid parts from being scratched. Keep all hardware parts out of reach of children.

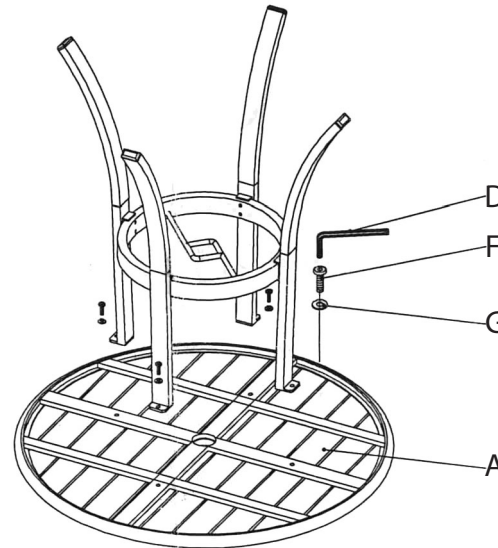
Parts List:



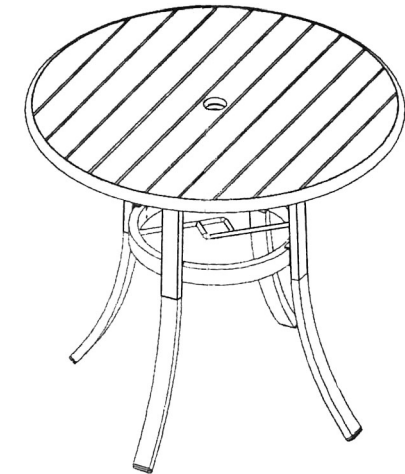
1. Assemble 4 legs (B) with the center ring (C). Insert screws (E) with washers (G) from inside of the ring. Tighten all screws by using the allen key (D) provided in the package.



2. Place the table top (A) on the floor with bottom facing up. Align the pre-drilled holes in the connecting tabs on the assembled legs and the holes in the table. Insert screws (F) with washers into the holes and tighten with allen key (D).



3. Check and make sure that all screws are tightened. Carefully lift the assembled table to its upright position. The assembly is finished and the table is ready to use.



Scan QR code to visit the product page:



If you have any questions regarding our products, please visit www.displays2go.com or contact D2G customer service at 844-221-3388.