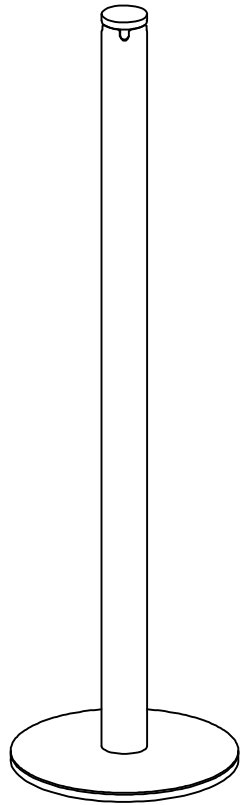
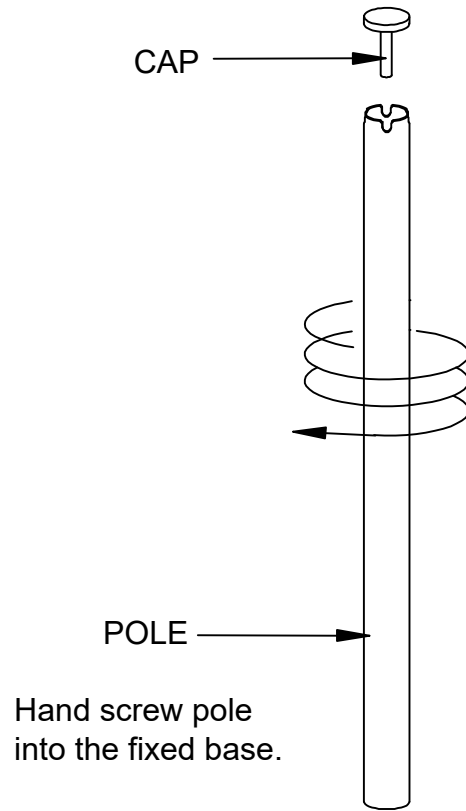


# INSTRUCTION - QUEUE POLE STANCHION

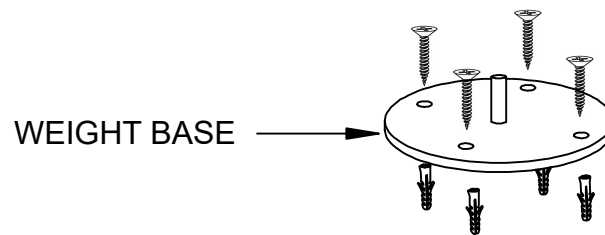
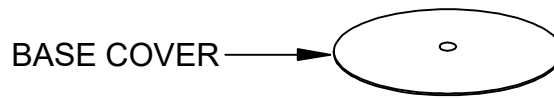


Slim Queue Pole Stanchion  
with weighted base.  
Height: 16", 39"  
Color: Black, silver

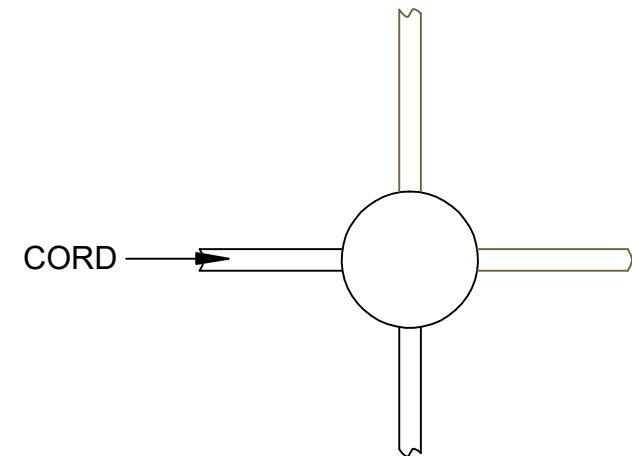
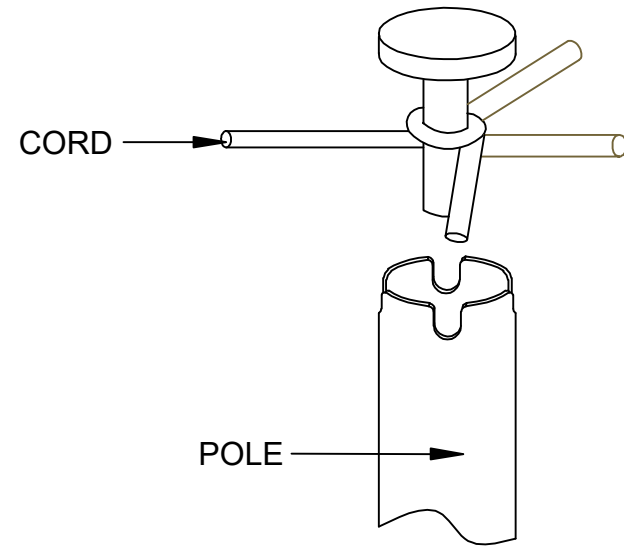
Scan QR code to visit  
the product page:



Hand screw pole  
into the fixed base.



Use base as template to drill holes for plastic anchor.  
Insert anchors first then fix the base onto ground by  
tightening screws from the top through the base plate.



NOTE: Based on the floor surface the unit is  
being installed onto, choose the proper floor  
mounting hardware to secure the base.