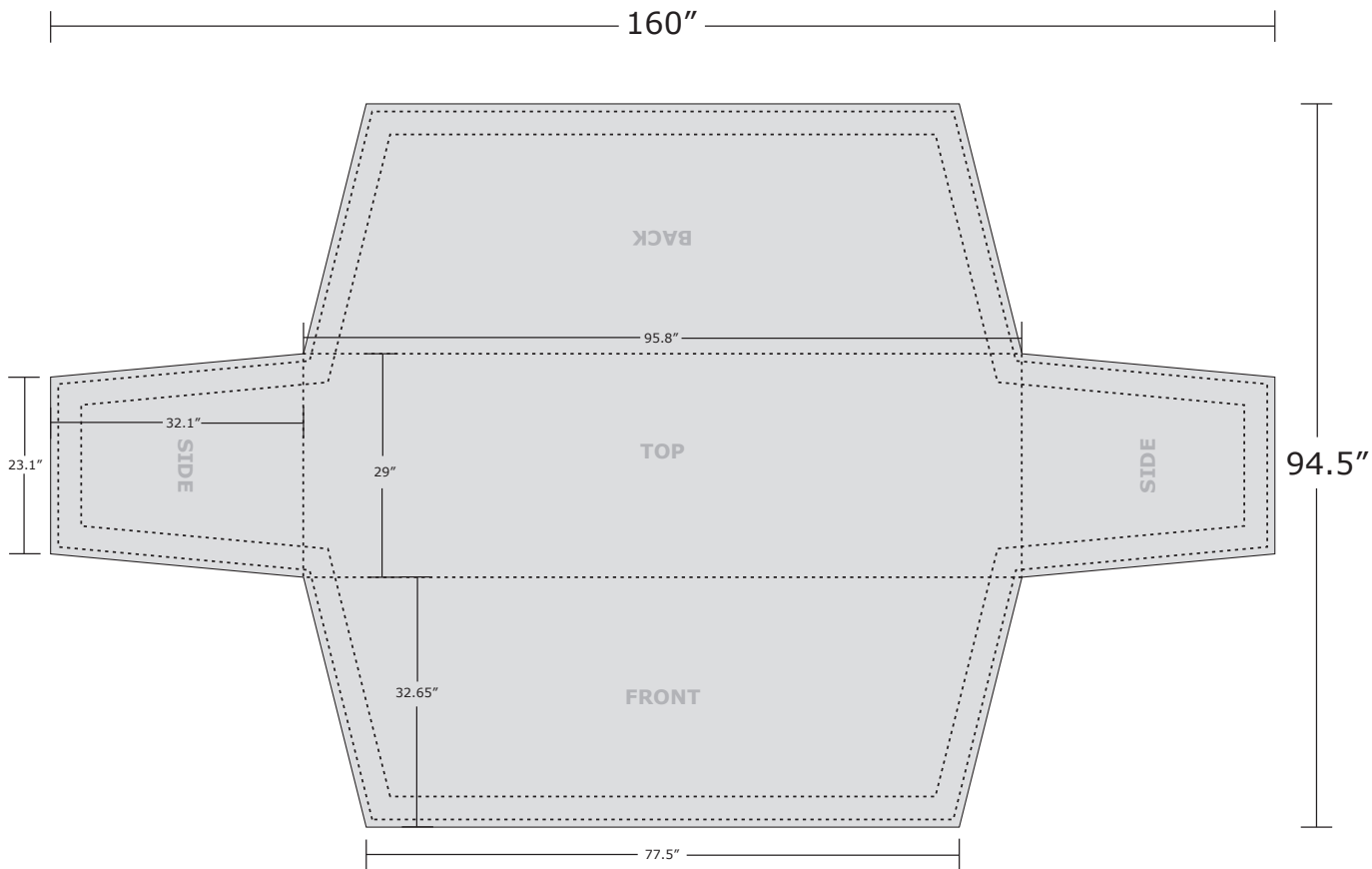


# SPECIFICATIONS FOR SUPPLYING PRINT READY ARTWORK



## **FITTED TABLE THROW** **8' Custom Printed**

Total Graphic Area: 160" x 94.5"

Total Safe Area: 152" x 86.5"

DO NOT design any elements (text, Logos, etc.) within 4" of edge. Graphic will be stitched on all edges.

*(For Reference Only)*

## **FILE FORMATS**

### **.JPG or .PDF**

(.ai, .psd, .eps, .tiff)

## **ART GUIDELINES**

- Files must be CMYK
- All Fonts must be created to Outlines or Supplied with your artwork
- Embed all images and support files
- Resolution must be 150 ppi at full size
- Please view your artwork at full size
- Background color / Image must extend to the edge of the artboard
- Make sure to turn off or delete all other layers on finished artwork before sending and make sure artwork is a flatten file (if using Photoshop).

## **TRANSMITTING FILES**

ONLINE: [www.postupstand.com/artupload](http://www.postupstand.com/artupload)

EMAIL: [sales@postupstand.com](mailto:sales@postupstand.com)