

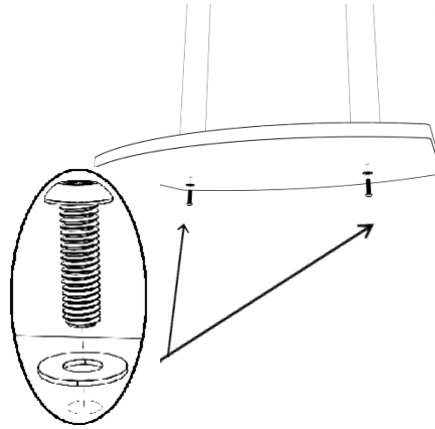
# Assembly Instructions

## Floor Standing Phone Charging Stations

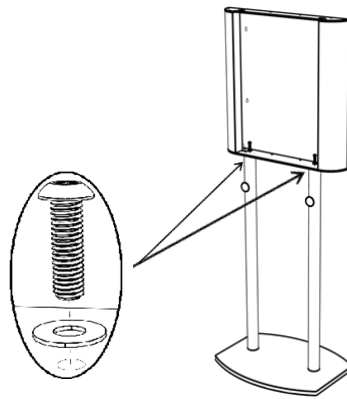
**SKUs:**

FLCHG8HD	FLCHG8BH
FLCHG8HDCM	FLCHG8BHCM
FLCHG8HDS1	FLCHG8BHS1
FLCHG8HDS2	FLCHG8BHS2
FLCHG8HDS3	FLCHG8BHS3

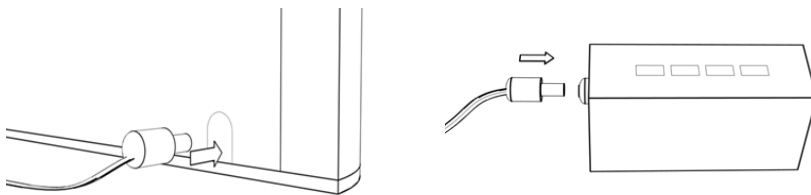
**1** Attach base using provided screws and washers.



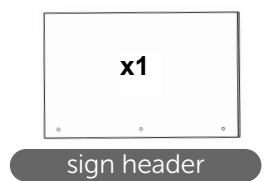
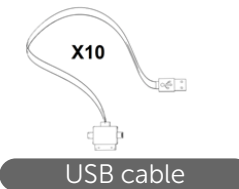
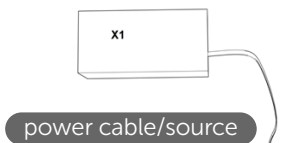
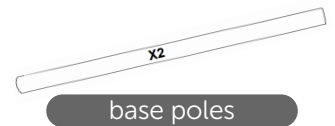
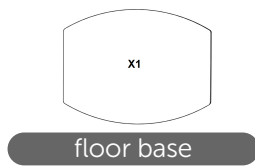
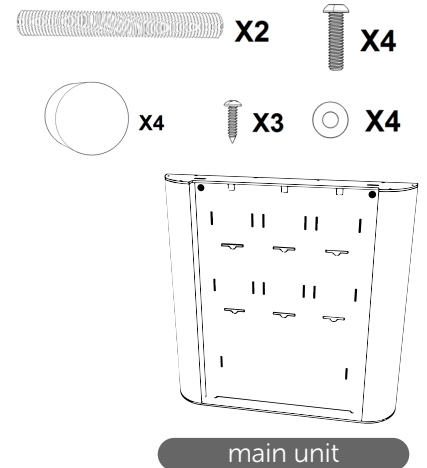
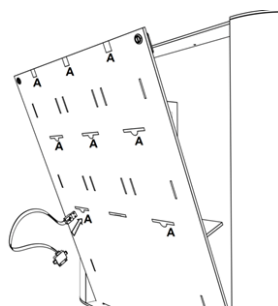
**2** Unlock front panel of main unit and remove. Place main unit on top of poles and secure with bolts and washers.



**3** Run power cable through the opening in the back of the unit and plug it into the power hub.

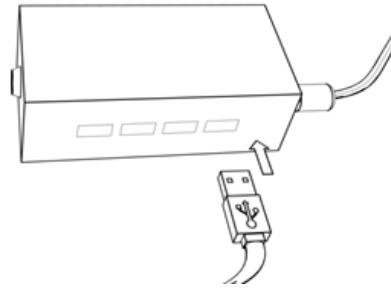


**4** Feed USB cables through each "A" opening.



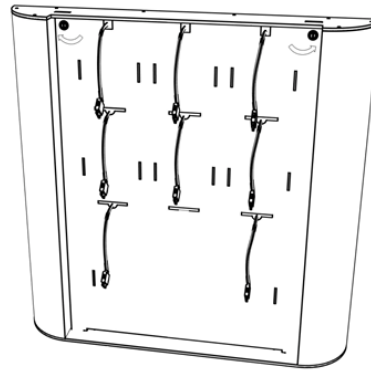
5

Plug USB cables into power hub.



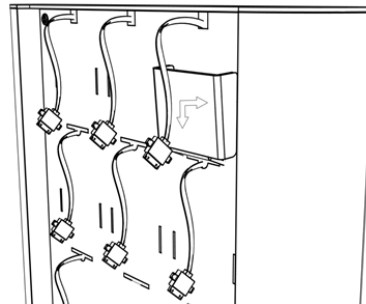
6

Close front panel and lock to secure.



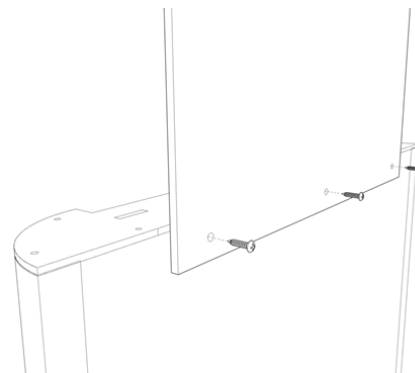
7

Attach device pockets by sliding hook tabs into slots. Push in and down on center of pocket. Pockets will snap into place. Repeat for all pockets.



8

To attach header, drive three (3) wood screws through the header and into the wood backing.



#### SKUs:

FLCHG8HD, FLCHG8HDCM, FLCHG8HDS1, FLCHG8HDS2, FLCHG8HDS3  
FLCHG8BH, FLCHG8BHCM, FLCHG8BHS1, FLCHG8BHS2, FLCHG8BHS3