

Charging Station Instruction

Product Description:

I .Specifications:

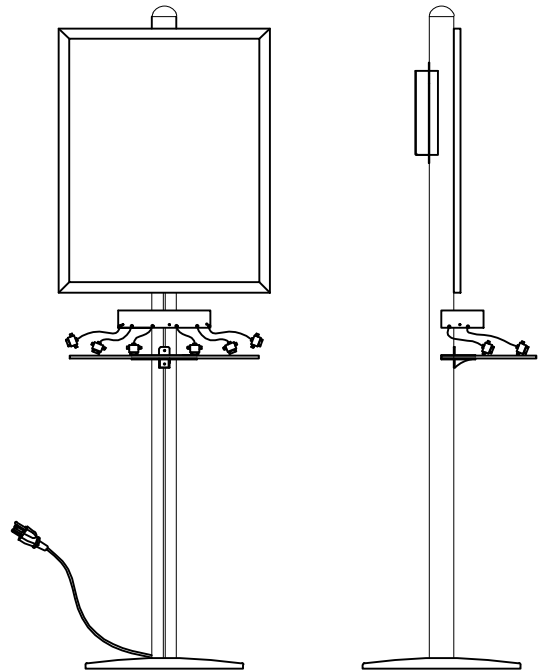
- 1.Input: 100-240VAC, 50/60Hz 1.4A
- 2.Output: 5VDC Max.: 2.1A
- 3.Output ports: 6

II .Compatible devices:

Android devices, iPhone, iPad.

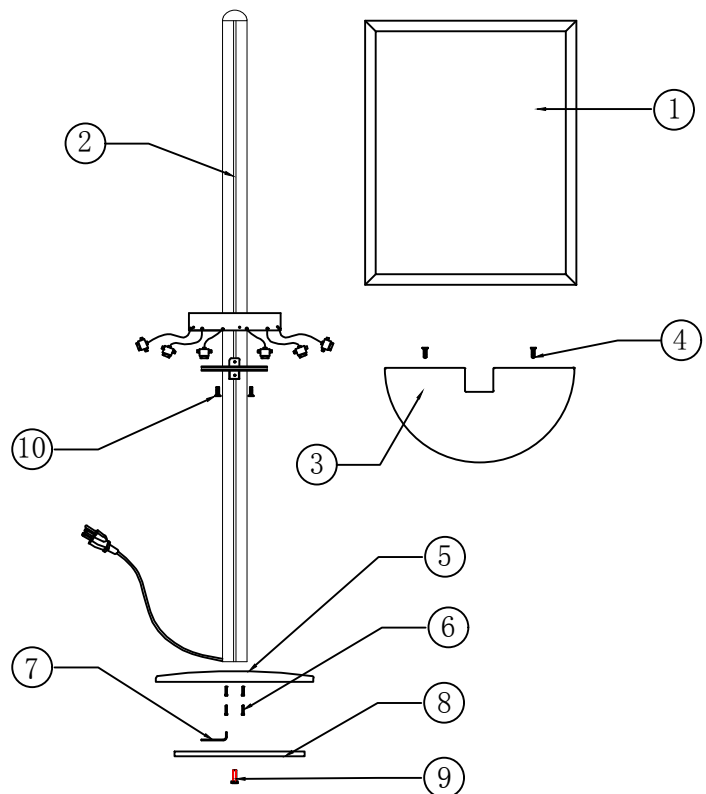
III.Working Environment:

- 1.Working Temperature :-10~40°C;indoor use only
- 2.Storage Temperature: -25~60°C
- 3.Charging: one device at a time per cable port



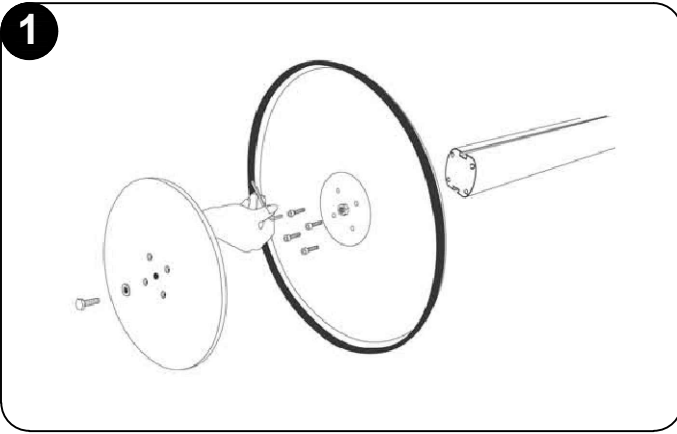
Parts:

1	Snap frame	1
2	Pole Set with charging device	1
3	Acrylic top	1
4	Countersunk self tapping screw	2
5	Base	1
6	Hex socket screw	4
7	Wrench	1
8	Weight piece	1
9	Hex bolt	1
10	Countersunk screw	2



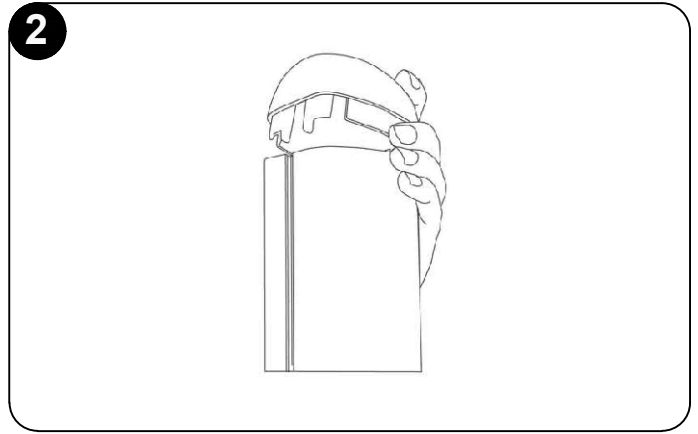
Assembly:

1



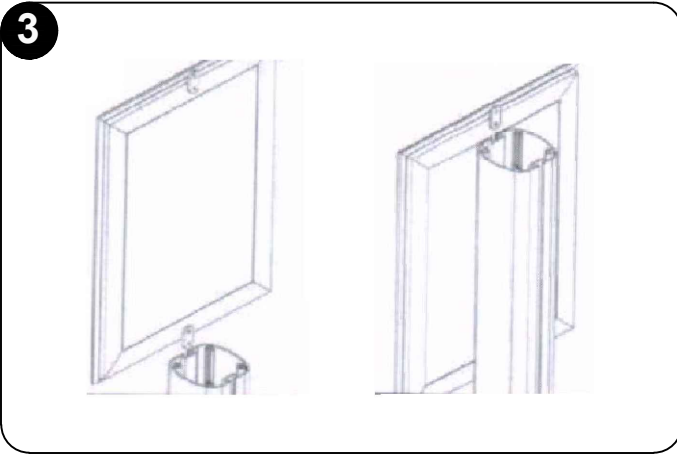
1. Connect the pole set, base and weight piece as in the diagram

2



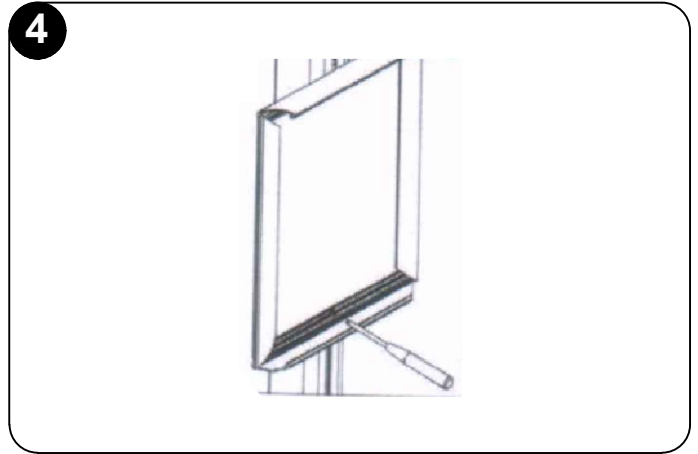
2. Remove the pole cap.

3



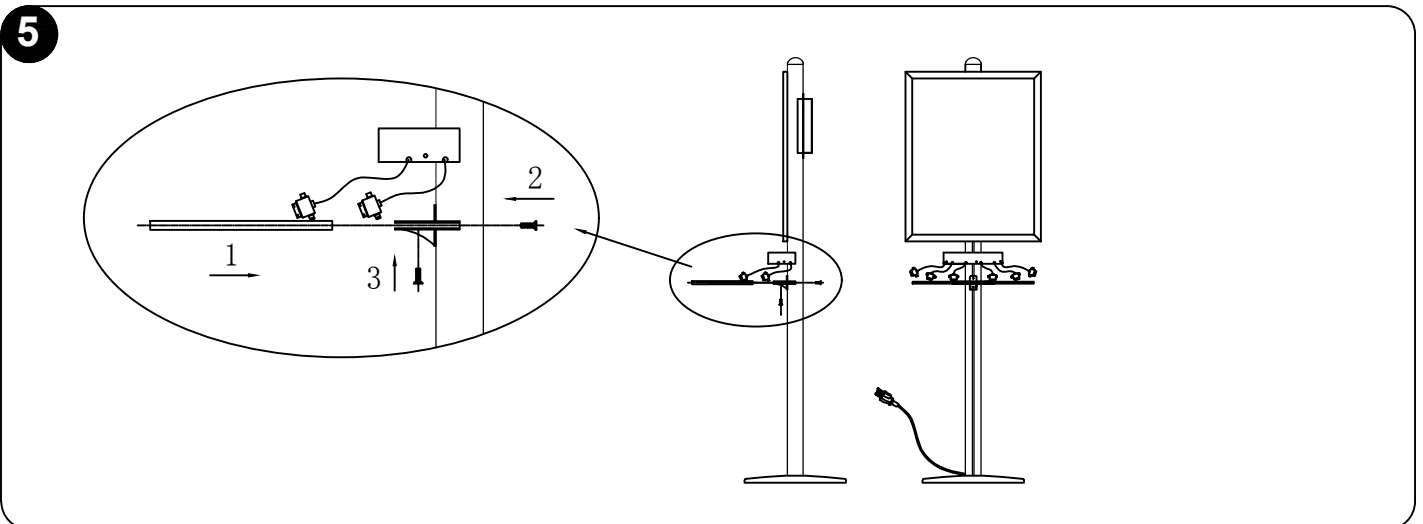
3. Slide the (2) connecting plates on the back of snap frame into the groove of pole set and adjust to desired height

4



4. Open the upper covers of the horizontal sides; Tighten the Screws on the top and bottom of the frame.

5



5. Insert the acrylic top into the flange and tighten the screws as showed in the diagram