

# Double Sided Charging Station Instruction

## Product Description:

### I .Specifications:

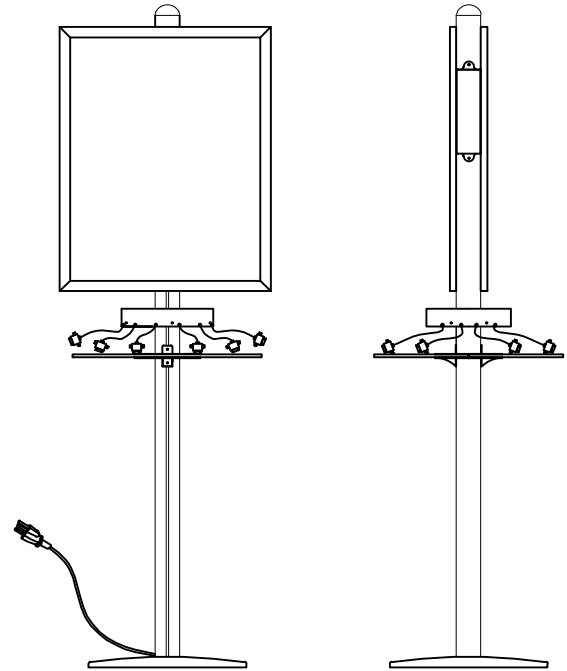
- 1.Input: 100-240VAC, 50/60Hz 1.4A
- 2.Output: 5VDC Max.: 2.1A
- 3.Output ports: 6

### II .Compatible devices:

Android devices, iPhone, iPad.

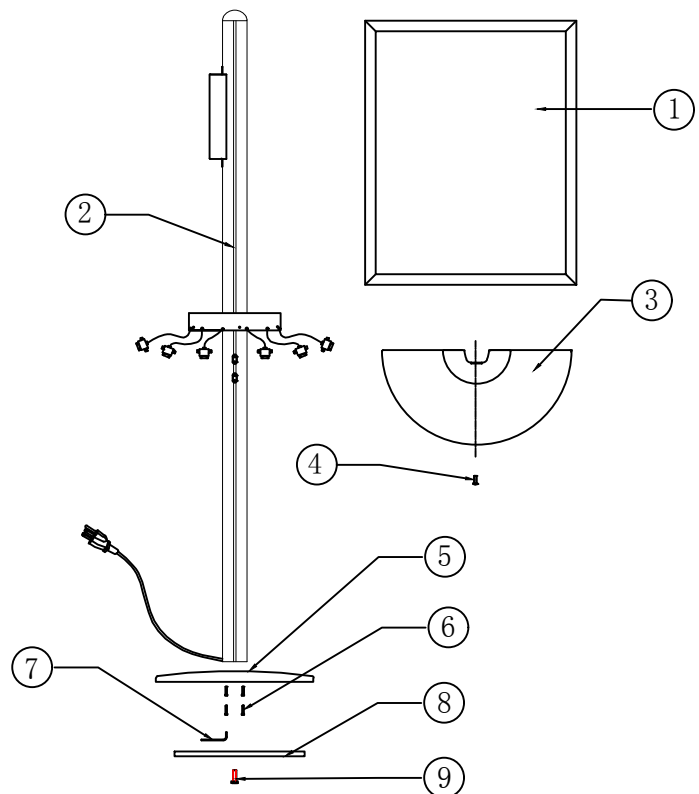
### III.Working Environment:

- 1.Working Temperature :-10~40°C;indoor use only
- 2.Storage Temperature: -25~60°C
- 3.Charging: one device at a time per cable port

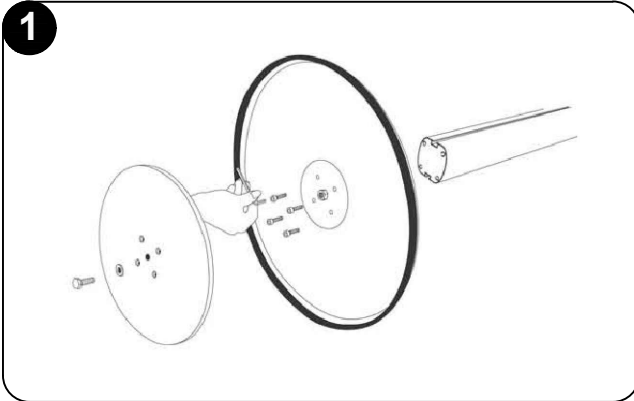


## Parts:

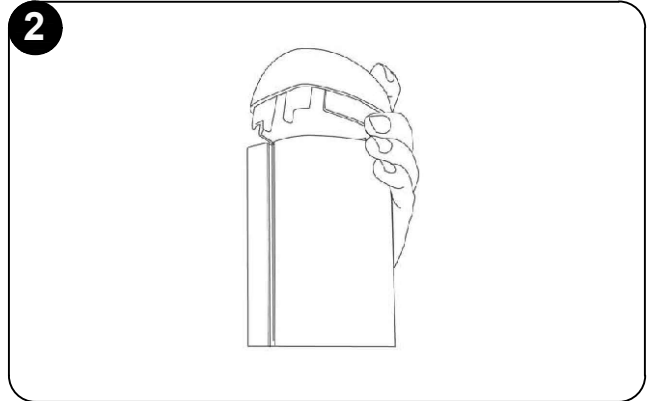
1 Snap frame	2
2 Pole Set with charging device	1
3 Acrylic top with flange	2
4 Pan head screw	4
5 Base	1
6 Hex socket screw	4
7 Wrench	1
8 Weight piece	1
9 Hex bolt	1



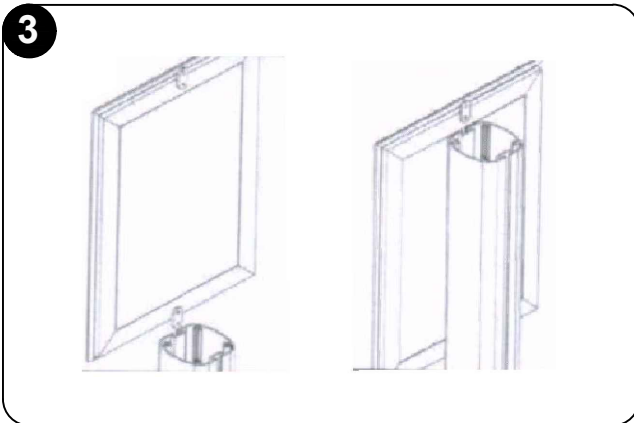
## Assembly:



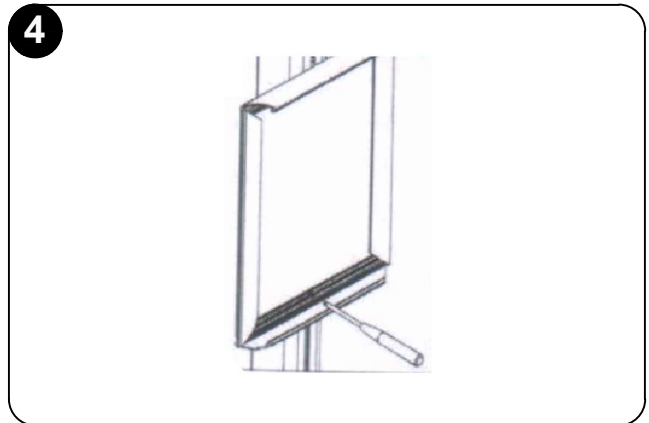
1. Connect the pole set, base and weight piece as in the diagram



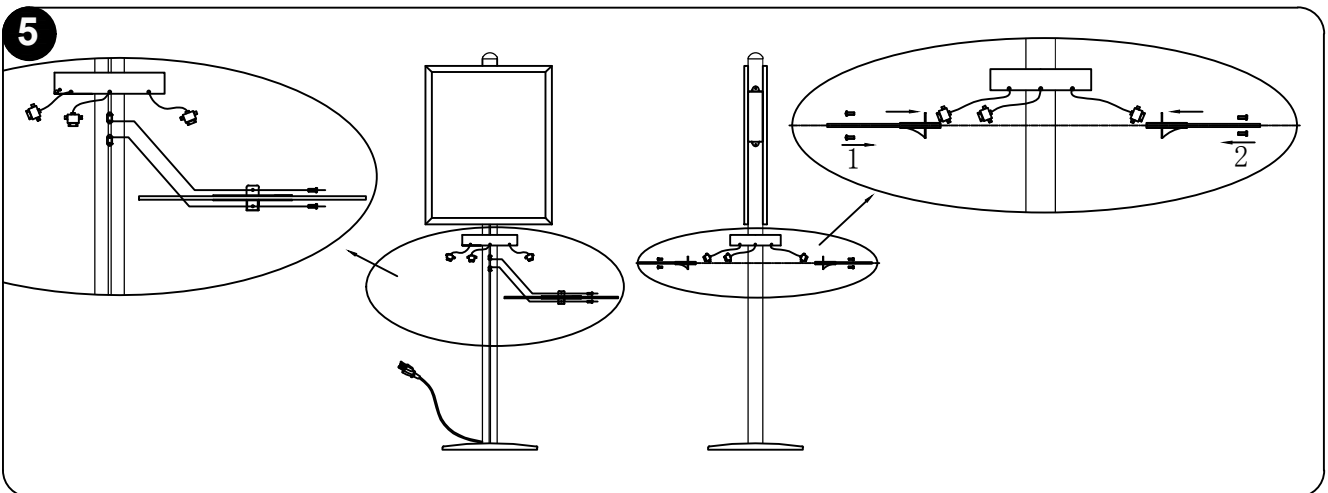
2. Remove the pole cap.



3. Slide the (4) connecting plates on the back of (2) snap frames into the grooves of pole set and adjust to desired height



4. Open the upper covers of the horizontal sides; Tighten the Screws on the tops and bottoms of the frames.



5. Attache the acrylic tops to the connecting plates in the grooves with screws