

# FLCHGAC Charging Station Instruction

## Product Description:

### I .Specifications:

1.Input: 100-240VAC, 50/60Hz 1.4A

2.Output: 5VDC Max.: 2.1A

3.Output ports: 6

### II .Compatible devices:

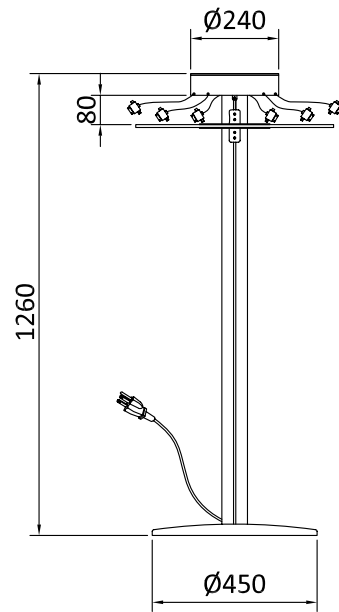
Android devices, iPhone, iPad.

### III.Working Environment:

1.Working Temperature :-10~40°C;indoor use only

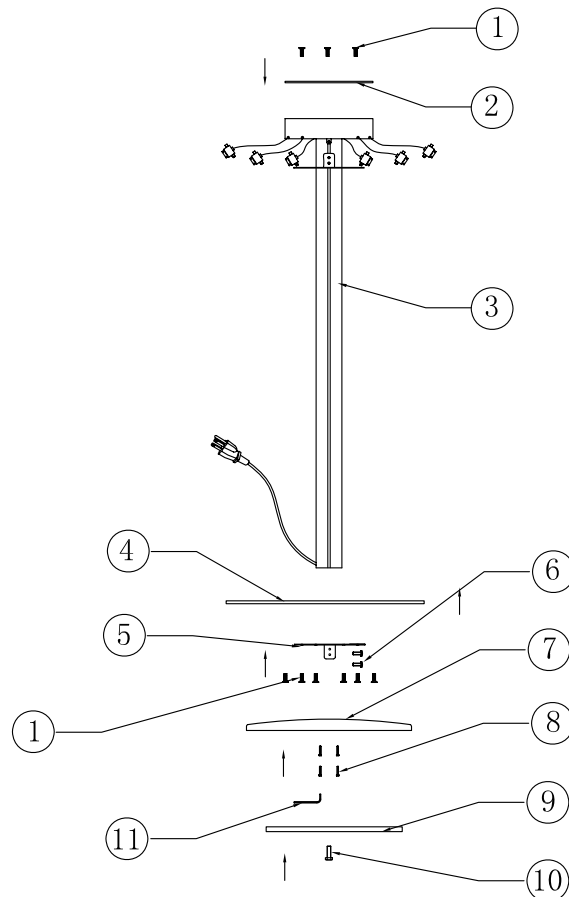
2.Storage Temperature: -25~60°C

3.Charging: one device at a time per cable port



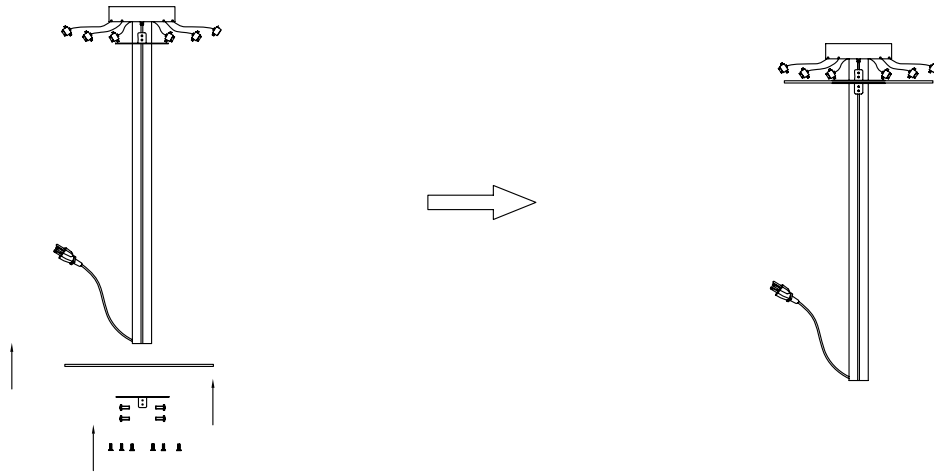
## Parts:

1	Countersunk self tapping screw	9
2	$\text{Ø}240$ Acrylic sheet	1
3	Pole Set with charging device	1
4	Acrylic top	1
5	Flange	1
6	Round-head cross screw	4
7	Base	1
8	Hex socket screw	4
9	Weight piece	1
10	Hex bolt	1
11	Wrench	1



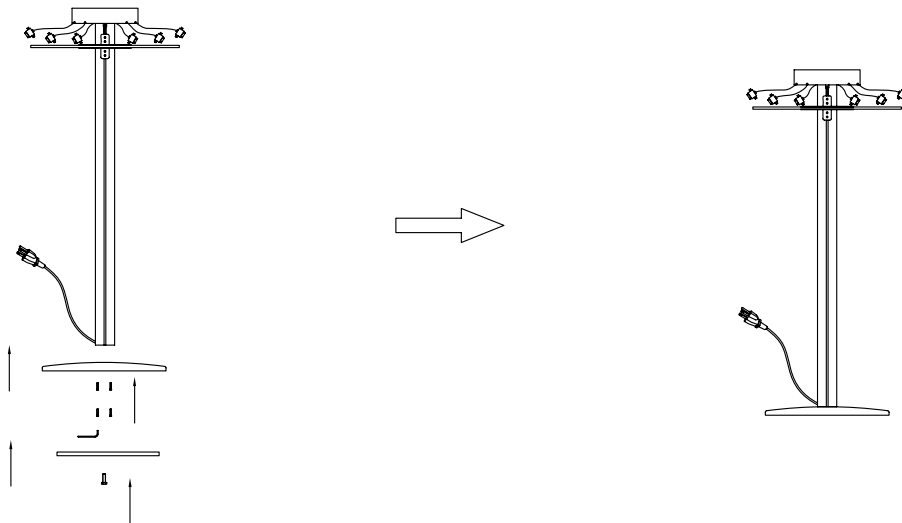
## Assembly:

1



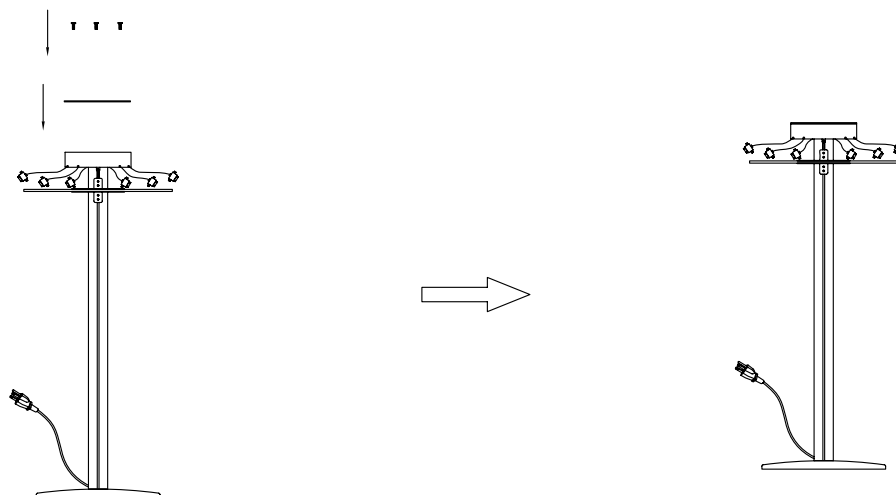
1. Attach the acrylic top & the lower flange to the upper flange fixed on the pole with countersunk self tapping screws; Fixing the lower flange with the pole by fastening the round-head cross screws with the metal insert in the T-slot of the pole

2



2. Connect the pole set, base and weight piece as in the diagram

3



3. Attach the  $\varnothing 240$  acrylic sheet on the top of charging box