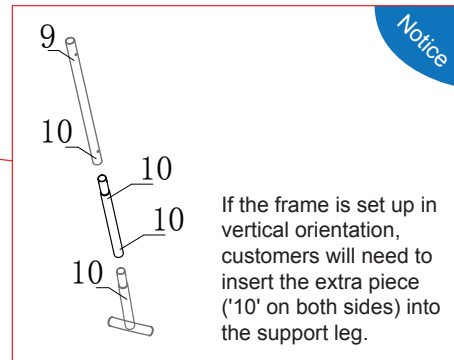
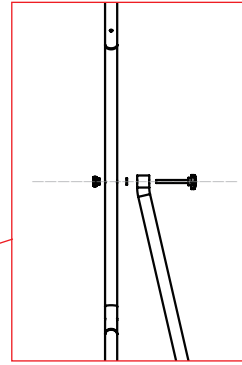
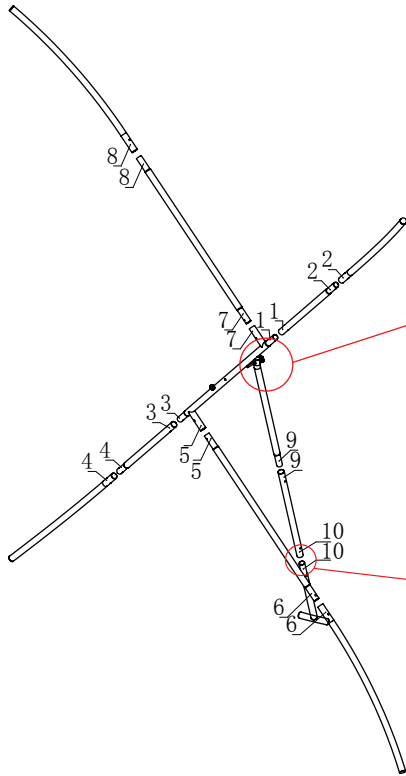
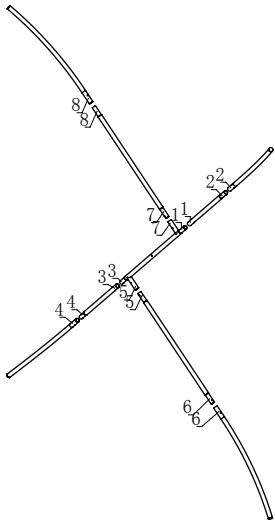


INSTALLATION INSTRUCTIONS

Flip Frame Tension Backwall

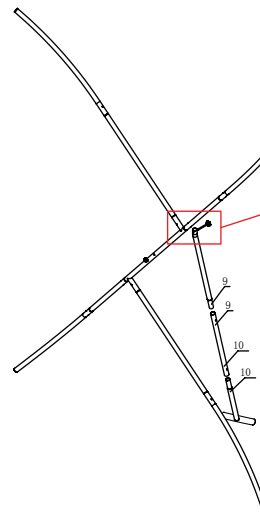


1



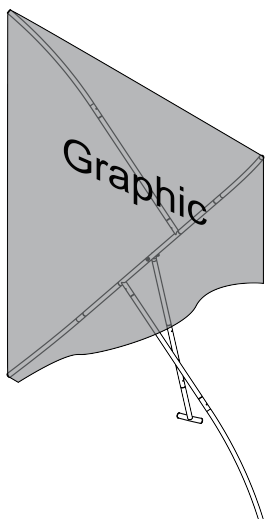
Connect pieces by matching up numbers.

2



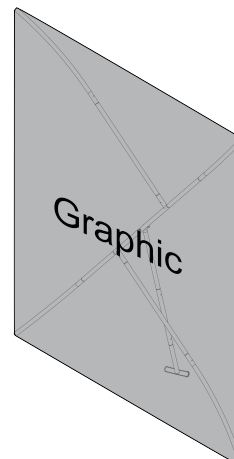
Attach the support leg to the back of the frame using the provided screw.

3



Attach the graphic by slipping the ends of the aluminum tubes into the corner pockets of the graphic.

4



Your Flip Frame display is now set up!