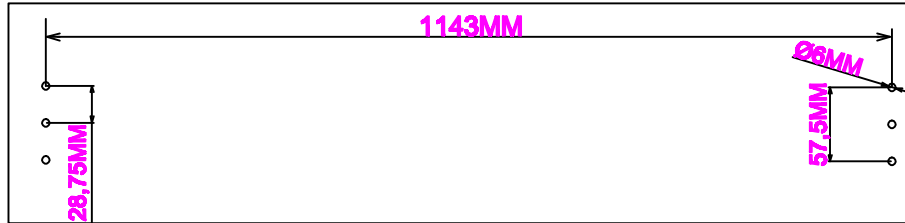


# INSTRUCTIONS

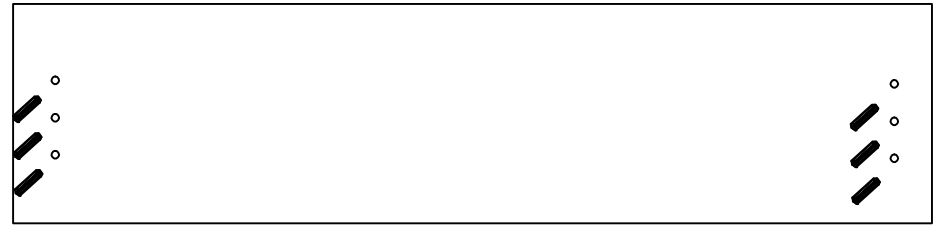
## FSBDWRB48 - 48" WIDE 2-TIER LED BOTTLE ORGANIZER

DISPLAYS2GO

1. Find the drill template and place it at the desired mounting location. Use a spirit level to check if the template is level, then fix it in place. Drill 6X  $\phi$ 6mm holes at the marked locations on the template.

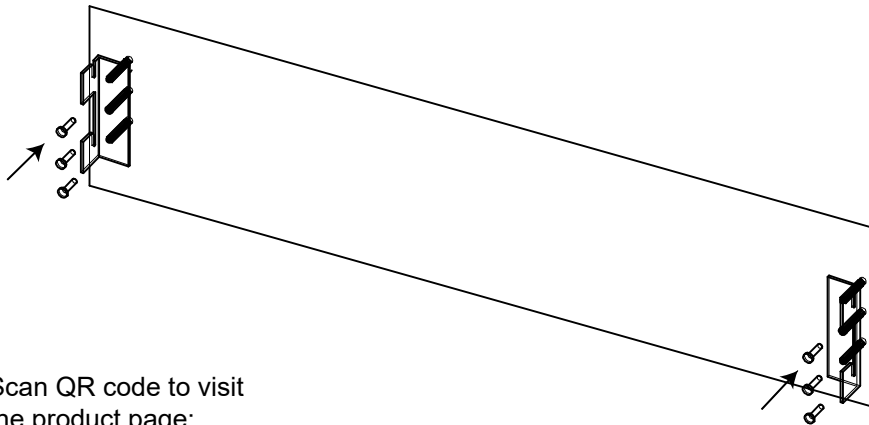


2. Insert plastic anchors into drilled holes in Step 1. Use a screw driver to turn the anchor clockwise until it lays flush against the wall. Install all the plastic anchors to the wall.



**CAUTION:** Wear safety goggles.

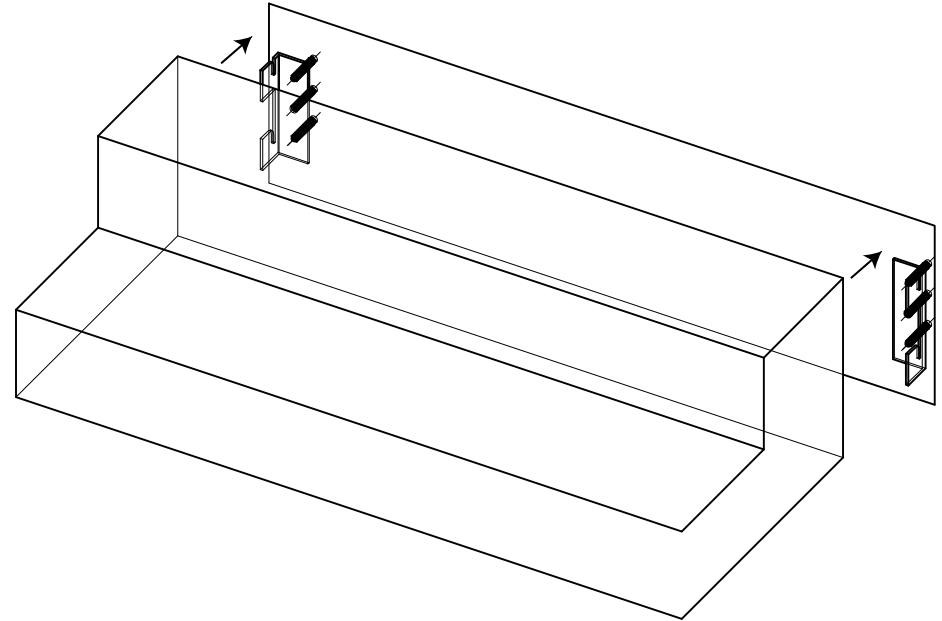
3. Place the mounting bracket against the wall by aligning the holes with anchors as shown below. Fix the bracket securely by tightening the screws through holes. Install the other bracket the same way.



Scan QR code to visit  
the product page:



4. Carefully lift the bottle display shelf and hang it onto the brackets. Ask another person to help if necessary. Make sure the display shelf is installed safely before use.



If you have any questions regarding our products, please visit us at [www.displays2go.com](http://www.displays2go.com) or contact D2G customer service at 844-221-3388.