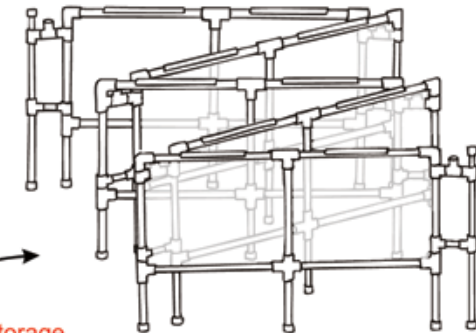
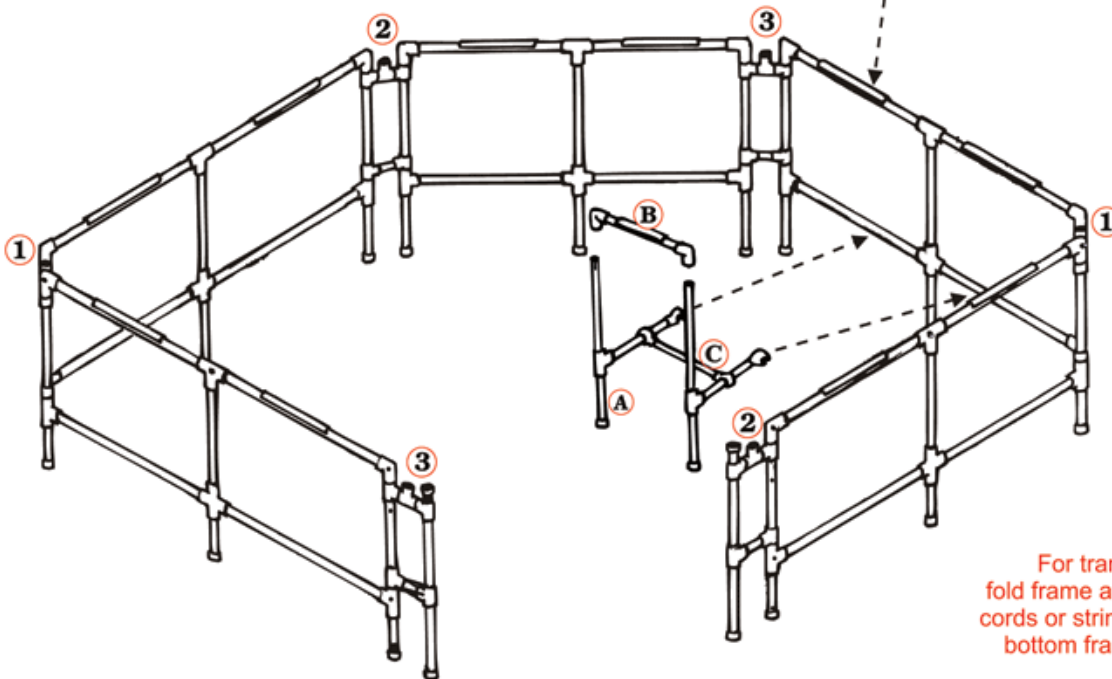
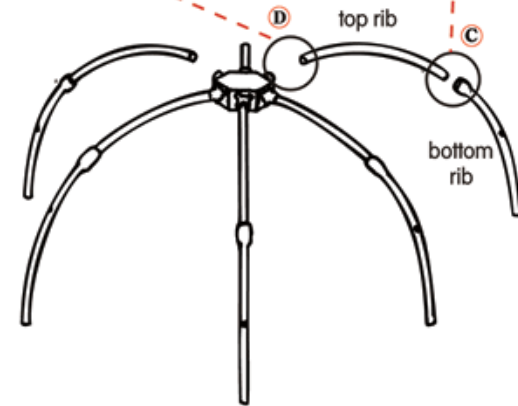
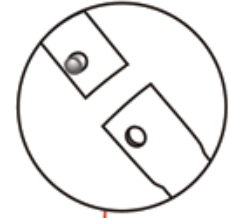
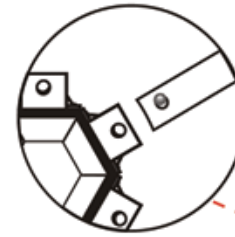


Gazebo Setup:

- 1) Unfold bottom frame into hexagon, with snaps facing out
- 2) Make a "spider" by inserting all 6 assembled ribs into crown (see right)
- 3) Lift the "spider", insert rib pairs ①, ②, and ③ into frame sockets
- 4) Throw top canopy over ribs, and snap it to ribs
- 5) Snap skirt on, starting at one end
- 6) Clip counter legs (A) to hexagon frame. Attach upper and lower counter support cross braces (B & C).
- 7) Align counters with Velcro and press down firmly
- 8) Place optional undercounter shelves on bottom counter leg braces

Rib and Crown Setup:

Slip top and bottom ribs together (C), then insert the ribs into the crown (D). Make sure the button comes through the hole in the bottom rib and on the crown.



For transport or storage, fold frame and secure with bungee cords or string. Disassembly of the bottom frame is unnecessary.