






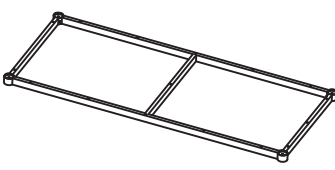
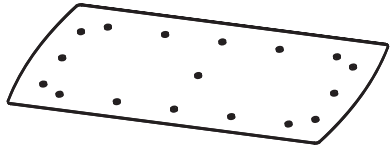
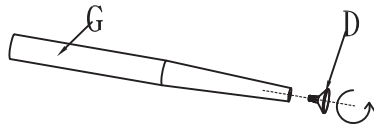


GT4CT10-120240

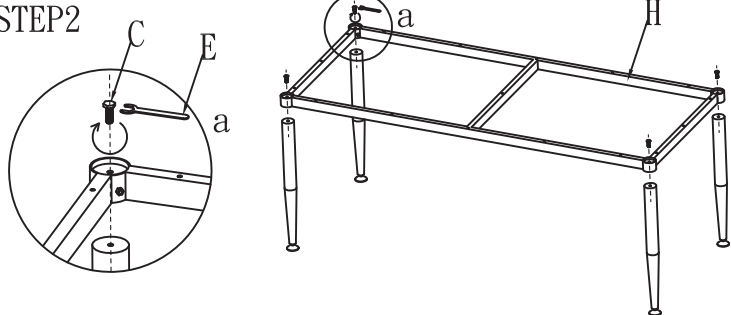
A  Bolt M8*60mm * 17pcs	B  Bolt M8*30mm * 4pcs	C  Bolt 3/8"*30mm * 4pcs	D  Floor Leveler * 4pcs	E  Wrench * 1pc	F  Allen Key * 1pc
---	--	--	--	---	--

G  Table Leg * 4pcs	H  Metal Frame * 1pc	I  Glass Table Top 120*240CM * 1pc
---	--	--

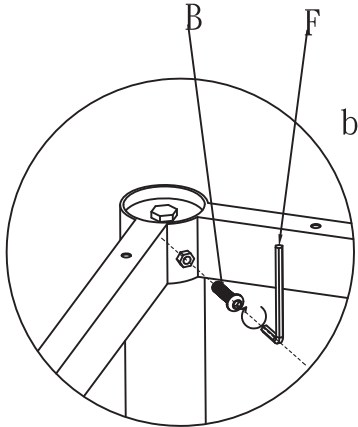
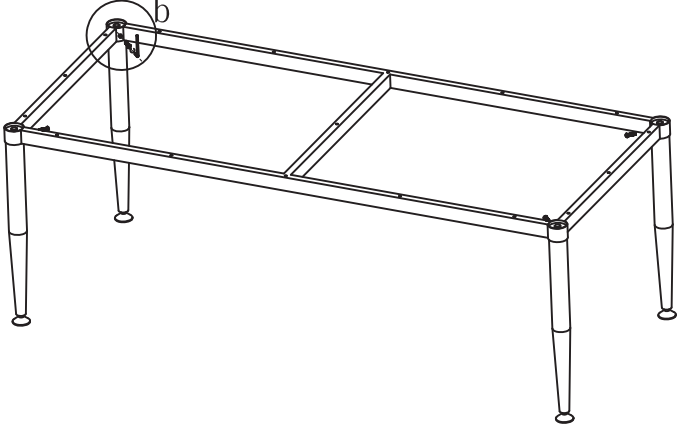
STEP1



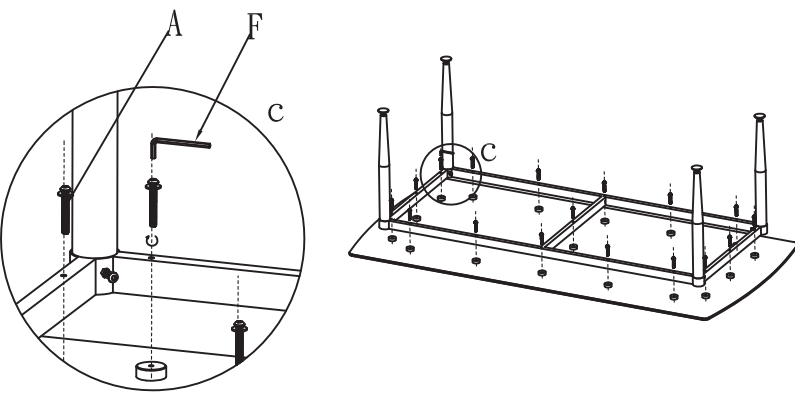
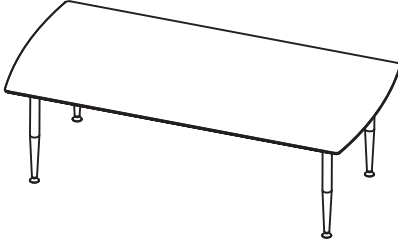
STEP2



STEP3

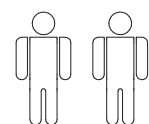



STEP4

Assembly Instructions.

1. Install floor leveler(D) onto table leg (G).
2. Assemble table leg(G) and metal frame(H) with bolts (C & B), and make sure the bolts are all fastened (as Sept 2 & Step 3).
3. Put the glass table top upside down on a clean and smooth surface, and reverse the assembled table frame to align with the round aluminum grommets of the table top. Making slight adjustment on aligning to the grommet holes and pre-screwing the bolts (A) before tighten the bolts on one by one.
 * Do not tighten all bolts(A) until all completely assembled.
 * Two people or more are required to assemble and move this table.
4. Reverse the table and adjust floor levelers to make it stable.



Two people are required to assemble and move this model.