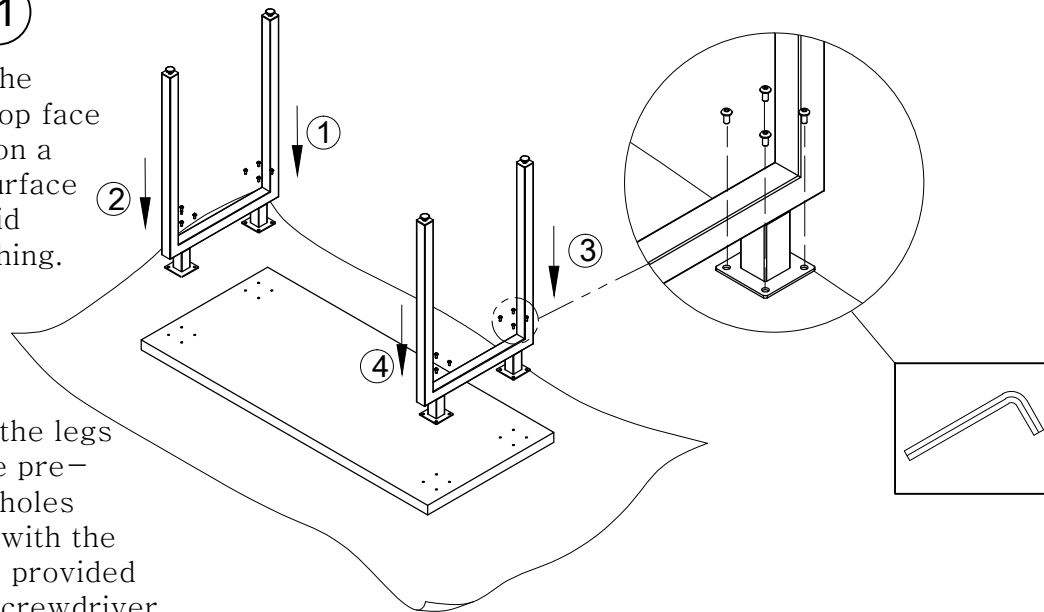


Instructions for Assembling GEOTBL Series

Step 1

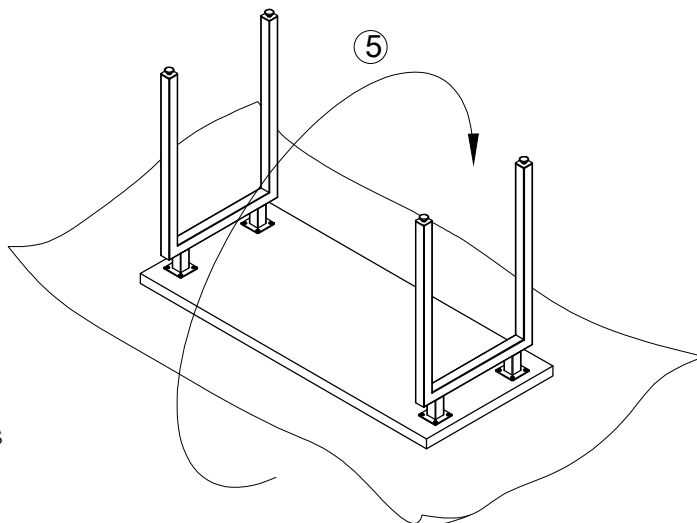
Turn the table top face down on a soft surface to avoid scratching.



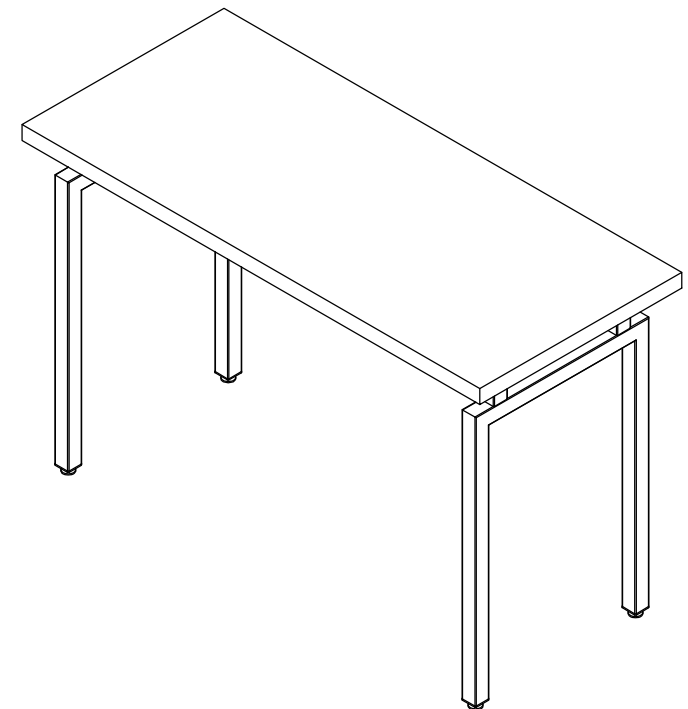
Screw the legs into the pre-drilled holes tightly with the screws provided and a screwdriver

Step 2

Turn the table over so it is standing on its legs



Step 3



DONE