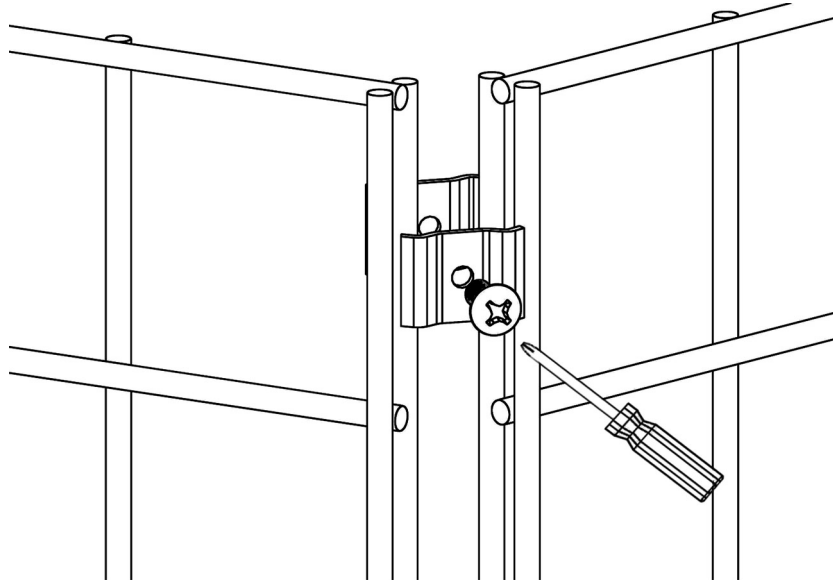


# ASSEMBLY INSTRUCTIONS

## GRIDWALL CONNECTOR - GRDCON

- ① Move (2) gridwall panels\* that need to be joined close to each other. Unscrew the connector to separate (2) clips. Clamp side wires on grid panels with (2) clips, then use a phillips screw driver to tighten the screw back to the center of the connector.



\*Gridwall panels sold separately.

- ② Install all the gridwall connectors and set the panels at the angle as needed.  
NOTE: (3) or more connectors are recommended for every (2) panels being connected. Evenly space the connectors along the edge of the panels.

