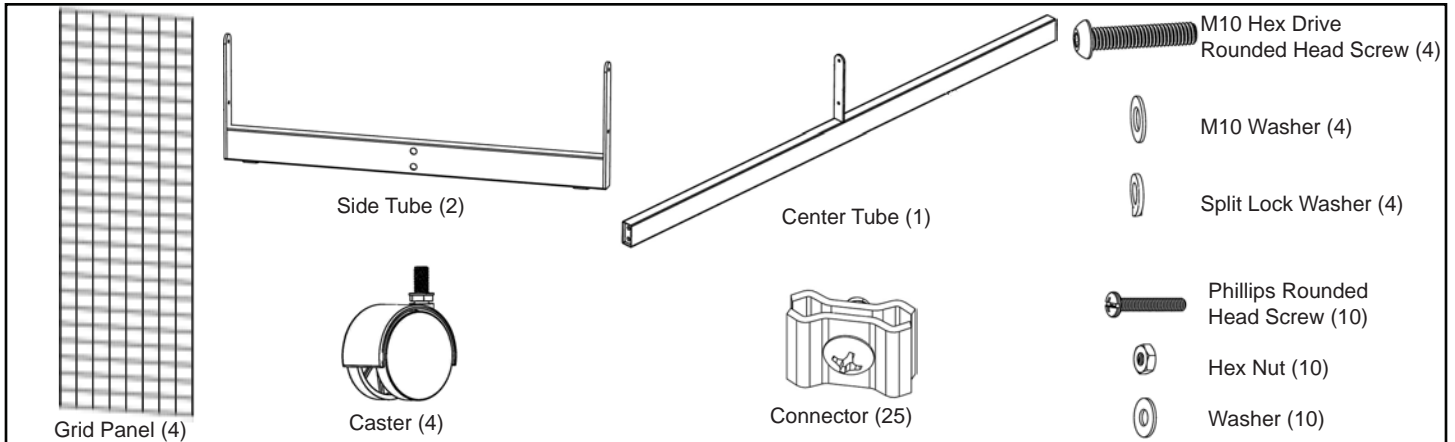
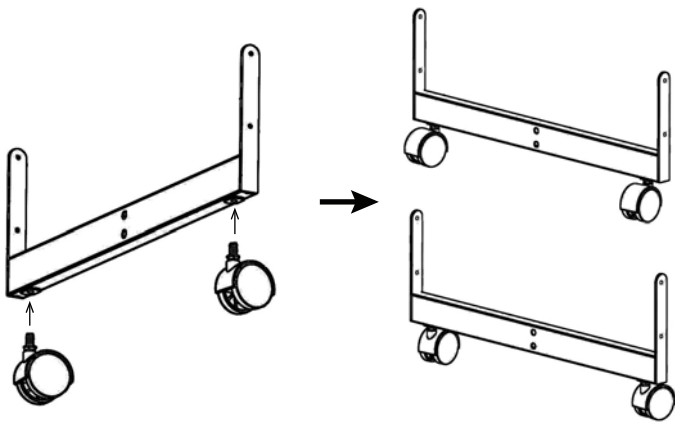


# ASSEMBLY INSTRUCTIONS

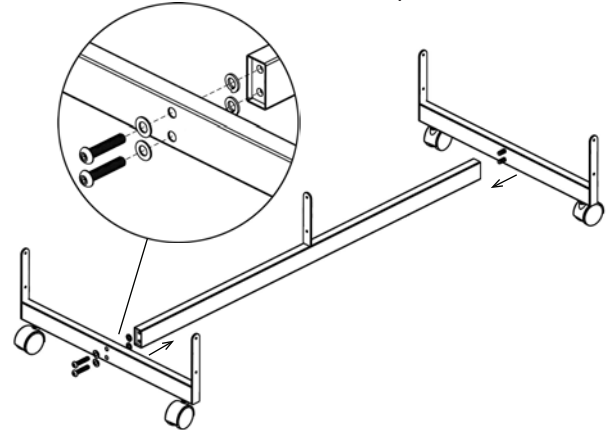
## GRIDWALL FIXTURE - GONDOLA DESIGN



1. Screw (2) casters into the bottom of (1) side tube. Do the same for the other side tube.



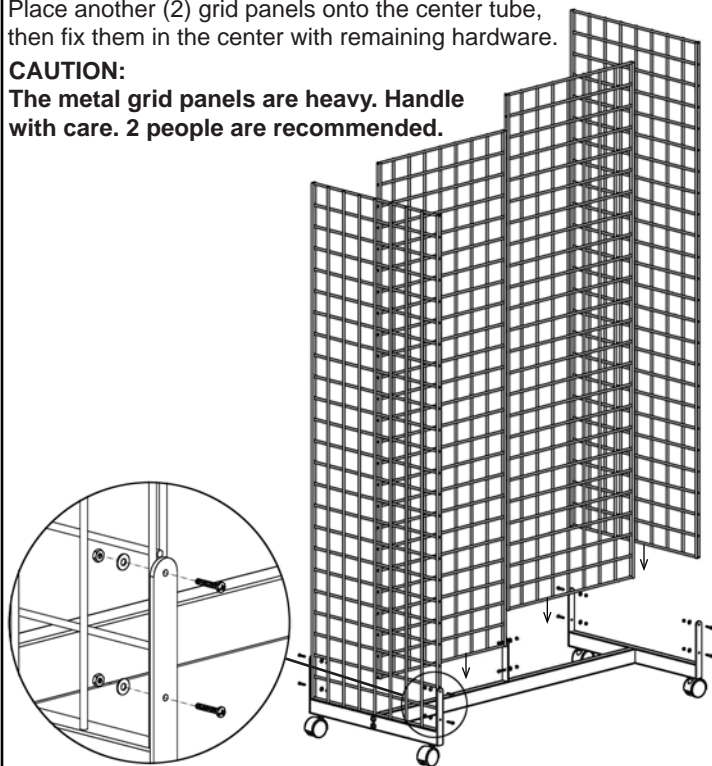
2. Connect assembled side tubes in *STEP 1* to the center tube with M10 Hex Screws, M10 washers and split lock washers.



3. Carefully place (1) grid panel between the upright metal bars on each side tube, fix them with phillips screws, hex nuts, and washers provided. Assemble another grid panel on the other side. Place another (2) grid panels onto the center tube, then fix them in the center with remaining hardware.

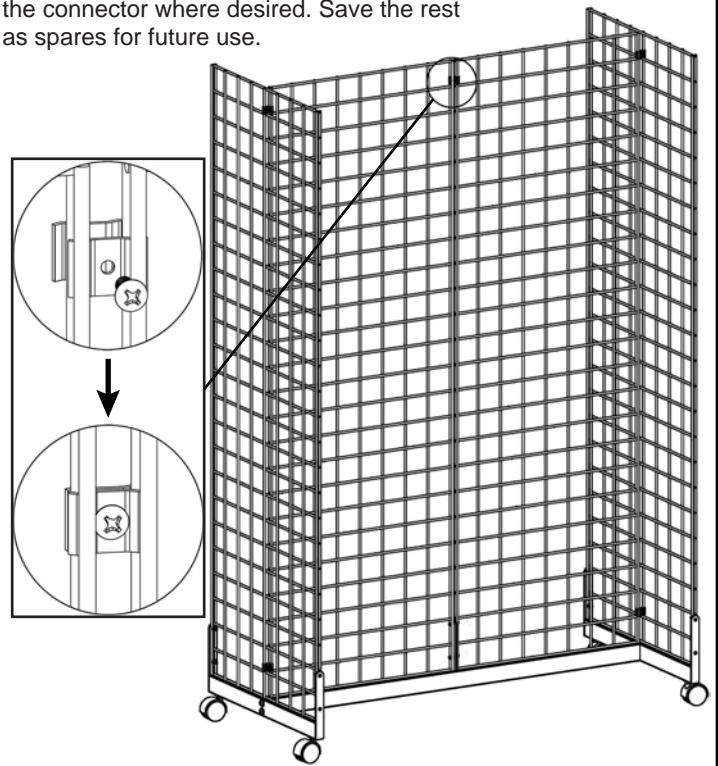
**CAUTION:**

The metal grid panels are heavy. Handle with care. 2 people are recommended.



4. Connect adjacent grid panels to each other using the connectors, tighten connectors using a phillips screw driver.

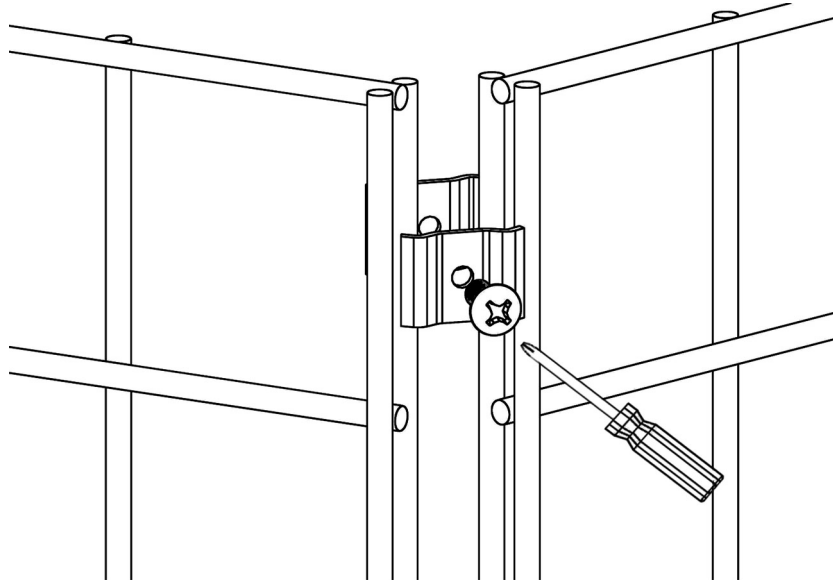
NOTE: The quantity of the connector is more than needed. Apply the connector where desired. Save the rest as spares for future use.



# ASSEMBLY INSTRUCTIONS

## GRIDWALL CONNECTOR - GRDCON

- ① Move (2) gridwall panels\* that need to be joined close to each other. Unscrew the connector to separate (2) clips. Clamp side wires on grid panels with (2) clips, then use a phillips screw driver to tighten the screw back to the center of the connector.



\*Gridwall panels sold separately.

- ② Install all the gridwall connectors and set the panels at the angle as needed.  
NOTE: (3) or more connectors are recommended for every (2) panels being connected. Evenly space the connectors along the edge of the panels.

